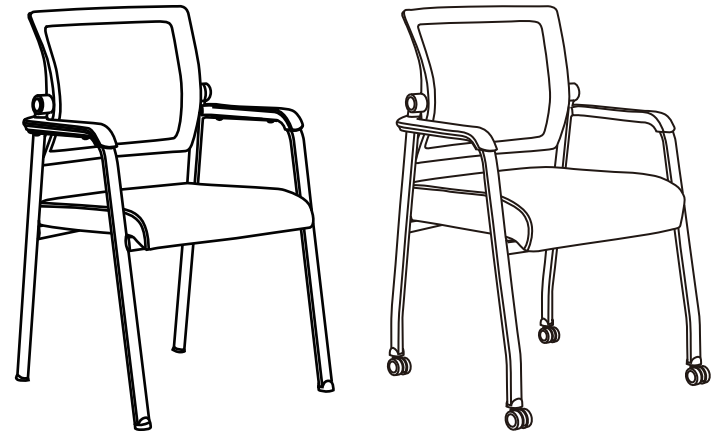
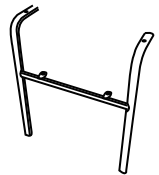
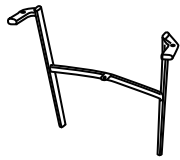
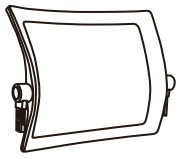

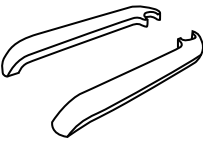
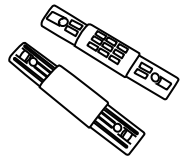
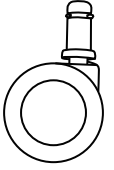





B6889-BK ASSEMBLY

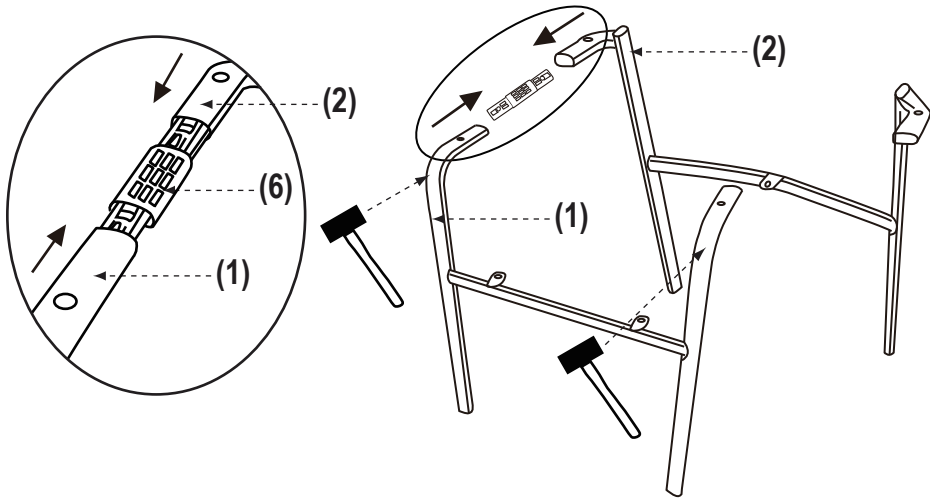
MODEL : B6889 B6889R



(1)x1	(2)x1	(3)x1	(4)x1
 <p>Front Frame</p>	 <p>Back Frame</p>	 <p>Back</p>	 <p>Seat</p>
 <p>Arm Pads</p>	 <p>Frame connector</p>	 <p>Casters</p>	<p>(A)*3  M6*22 (Seat Cushion)</p> <p>(B)*1 </p> <p>(C)*4  M6*18 (Arm Pads)</p>

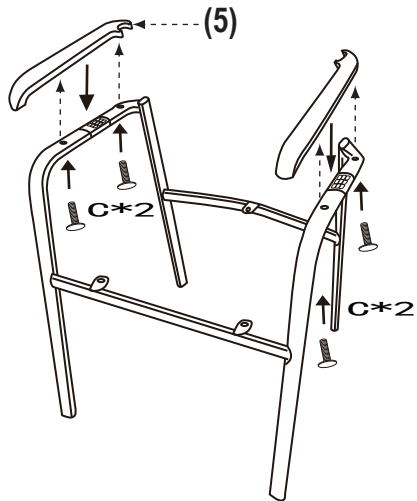
1

Insert frame connector so holes are on top



2

Screw in arm pads



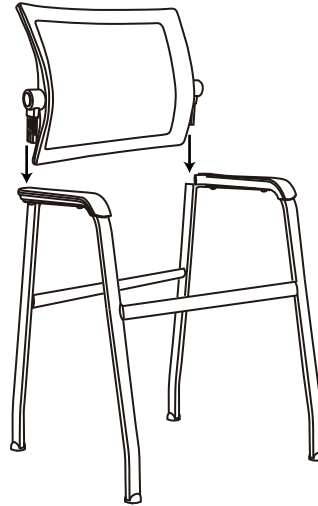
3

Place on level surface



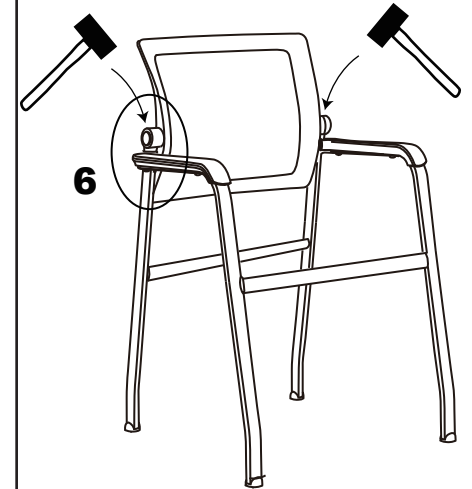
4

Slide back into frame

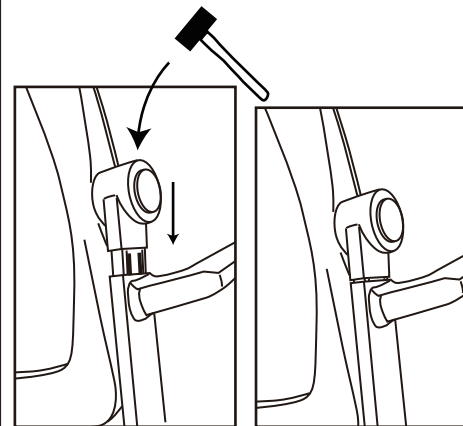


5

Use rubber mallet take tums hitting both sides evenly so they are level



6



7

Insert screws

