


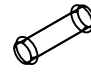
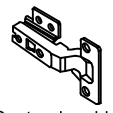
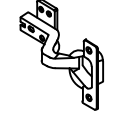






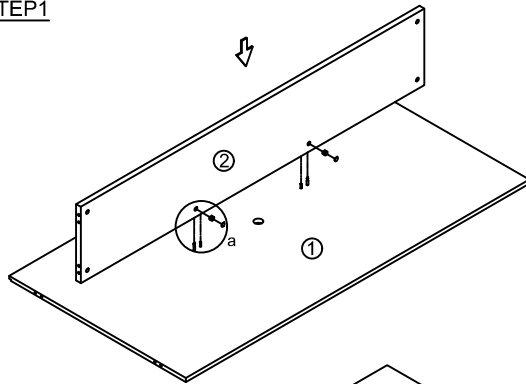
Assembly Instructions

MODEL NO.:N140

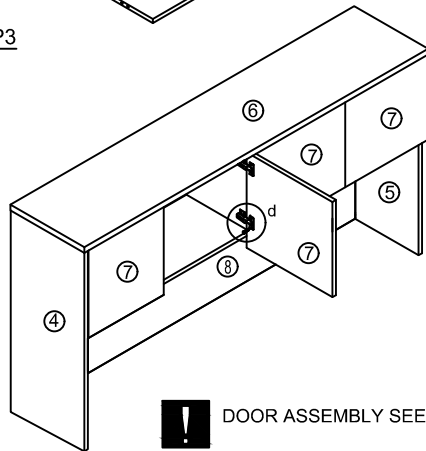
HUTCH WITH DOORS

TUX010CL	TUX011KL	C	TUN026	TUN022DH	TUN023DH	TUN017SC	TUN018SC	TUN018SC	TUN016BG
A 	B 		D 	E 	F 	G 	H 	I 	J 
Cam lock 18Pcs+2pcs(spare)	Klix Cam 18Pcs+2pcs(spare)	Cam Cover 18Pcs+2pcs(spare)	Dowel 17Pcs	Center door hinge 4pcs	Side Door Hinge 4pcs	JCBC Black Grommet 2pcs	Screw #4* $\frac{5}{8}$ " 32Pcs+1Pcs(spare)	Screw #4 tack board 9pcs+1pcs(spare)	35mm Black Grommet 1pcs

STEP1



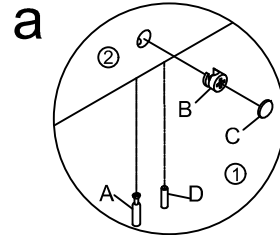
STEP3



DOOR ASSEMBLY SEE PAGE THREE

IMPORTANT NOTE:

- Place all laminated parts on a clean and smooth surface such as a rug or carpet to avoid the parts from being scratched.
- Check to be sure that you have all parts and hardware.
- Remove all wrapping materials, including staples & packing straps before you start to assemble.
- Don't tighten all screws/bolts until all completely assembled.
- Keep all hardware parts out of reach of children
- If the product is not working properly, is missing a part, is damaged, or if you have any questions, please call customer service hotline before returning.



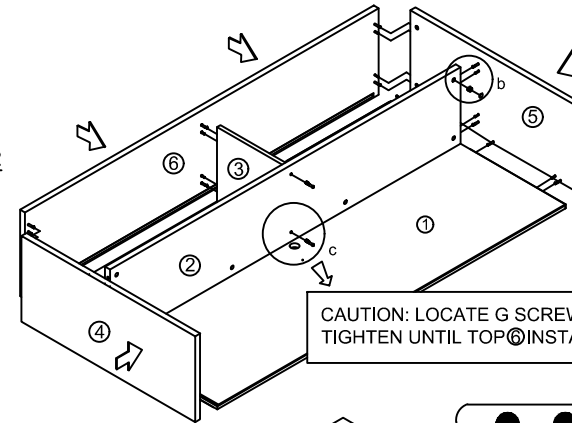
IMPORTANT:

FUNCTION OF KLIX CAM



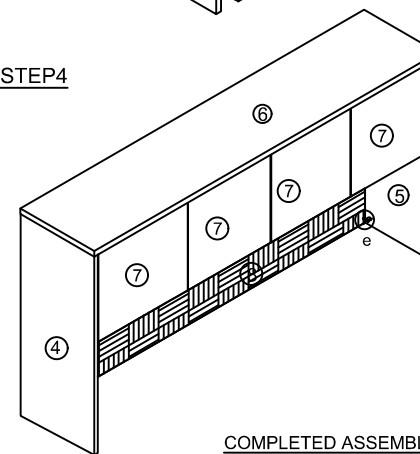
MAKE SURE THE ARROW IS POING UPWARDS BEFORE INSERTING INTO THE PANELS HOLE

STEP2

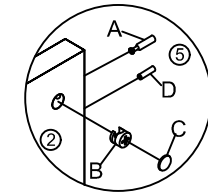


CAUTION: LOCATE G SCREW DO NOT TIGHTEN UNTIL TOP 6 INSTALLED

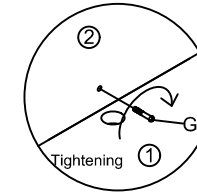
STEP4



COMPLETED ASSEMBLY

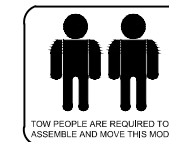


b

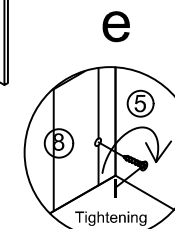


c

Tightening 1



TWO PEOPLE ARE REQUIRED TO ASSEMBLE AND MOVE THIS MODEL



Tightening