


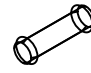
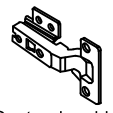
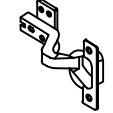






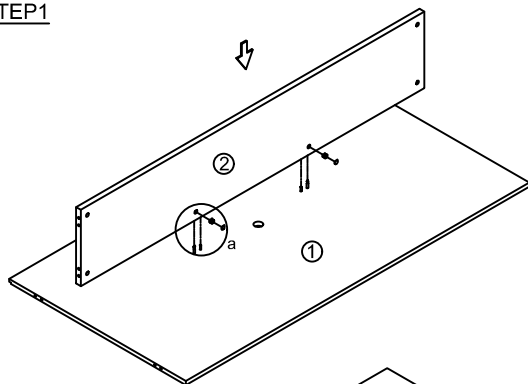
Assembly Instructions

MODEL NO.:N144

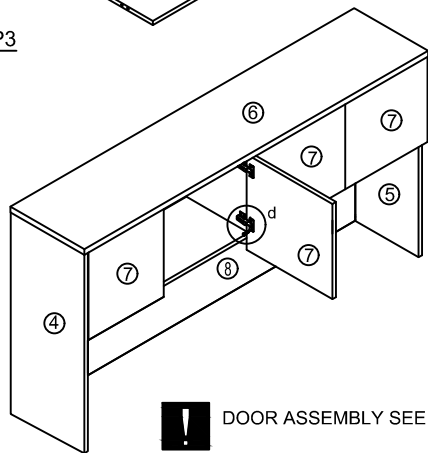
HUTCH WITH DOORS

TUX010CL	TUX011KL		TUN026	TUN022DH	TUN023DH	TUN017SC	TUN018SC	TUN018SC	TUN016BG
A  Cam lock 21Pcs+1pcs(spare)	B  Klix Cam 21Pcs+1pcs(spare)	C  Cam Cover 21Pcs+1pcs(spare)	D  Dowel 18+1Pcs	E  Center door hinge 4pcs	F  Side Door Hinge 4pcs	G  JCBC Black Grommet 2+1pcs	H  Screw #4* $\frac{5}{8}$ " 32Pcs+1Pcs(spare)	I  Screw #4 tack board 9pcs+1pcs(spare)	J  35mm Black Grommet 1pcs

STEP1



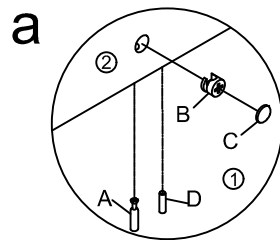
STEP3



DOOR ASSEMBLY SEE PAGE THREE

IMPORTANT NOTE:

- Place all laminated parts on a clean and smooth surface such as a rug or carpet to avoid the parts from being scratched.
- Check to be sure that you have all parts and hardware.
- Remove all wrapping materials, including staples & packing straps before you start to assemble.
- Don't tighten all screws/bolts until all completely assembled.
- Keep all hardware parts out of reach of children
- If the product is not working properly, is missing a part, is damaged, or if you have any questions, please call customer service hotline before returning.



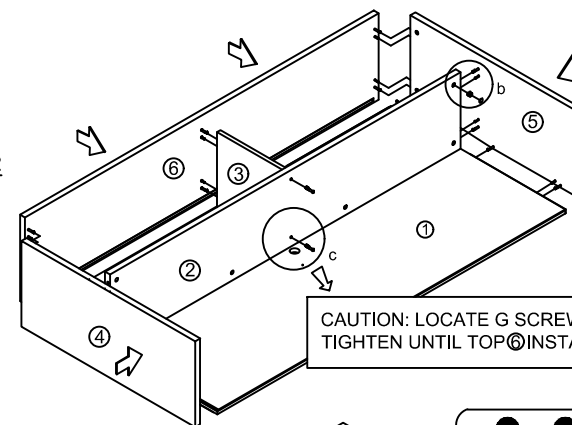
IMPORTANT:

FUNCTION OF KLIX CAM



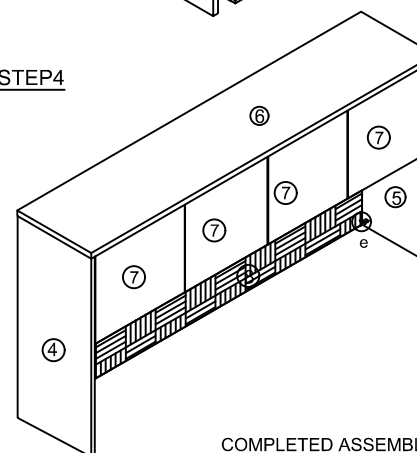
MAKE SURE THE ARROW IS POING UPWARDS BEFORE INSERTING INTO THE PANELS HOLE

STEP2



CAUTION: LOCATE G SCREW DO NOT TIGHTEN UNTIL TOP 6 INSTALLED

STEP4



COMPLETED ASSEMBLY

