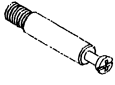



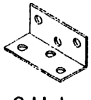
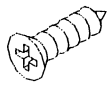

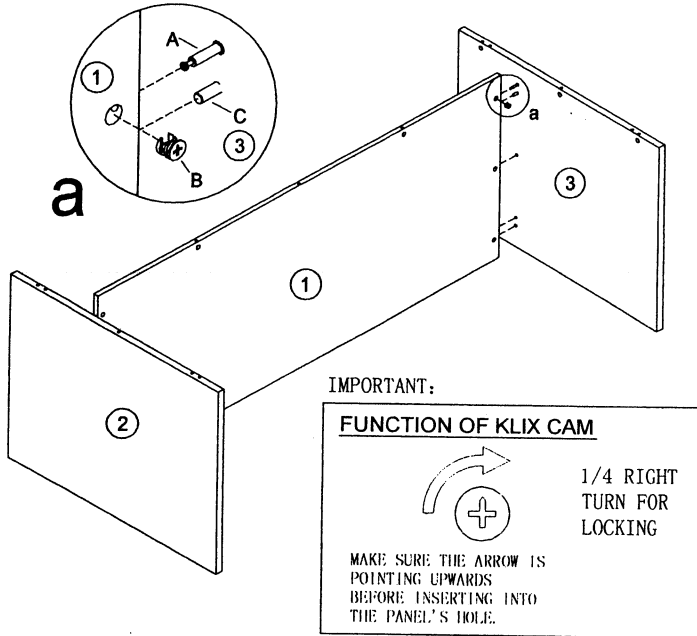


# MODEL NO.:N189

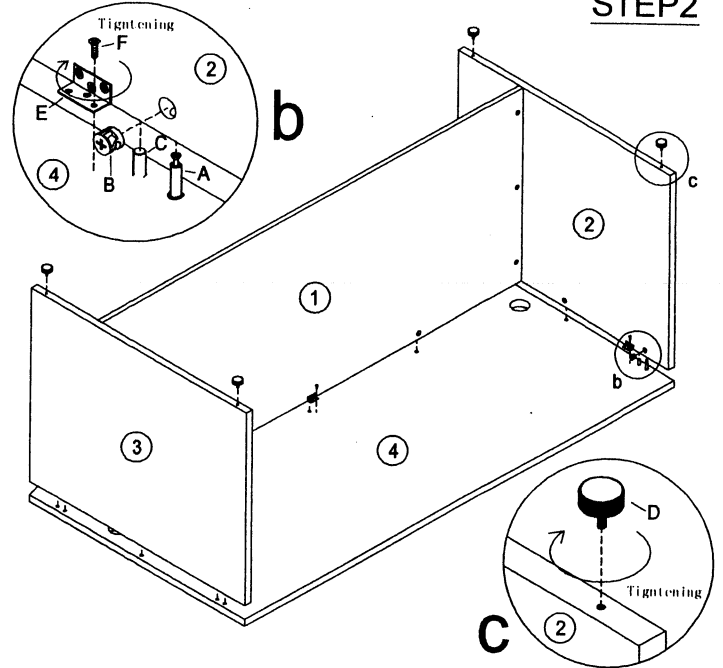
## BOW FRONT DESK SHELL

TUN010CL	TUN011KC	TUN026	TUN021AG	TUN013LB	TUN018SC	TUN015BG
<b>A</b>  Cam Lock 14Pcs+2Pcs(spare)	<b>B</b>  Klix Cam 14Pcs+2Pcs(spare)	<b>C</b>  Dowel 9Pcs+2Pcs(spare)	<b>D</b>  Adjustable Glide 4Pcs	<b>E</b>  6 Hole L-Bracket 5Pcs	<b>F</b>  Screw #4*5/8" 30Pcs+5Pcs(spare)	<b>G</b>  60mm Black Grommet 2Pcs

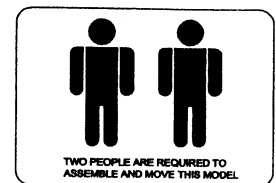
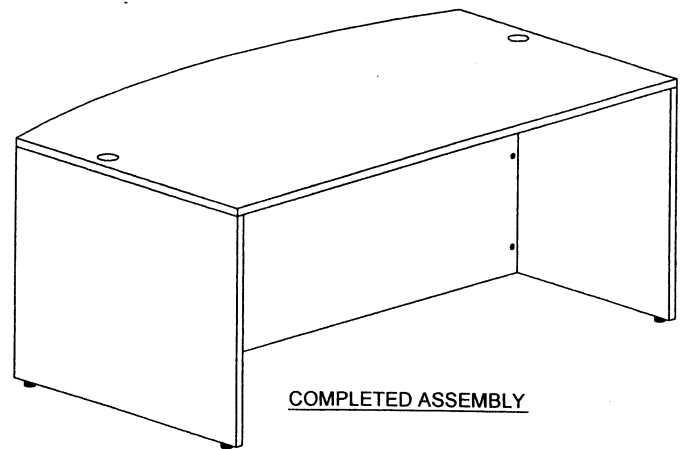
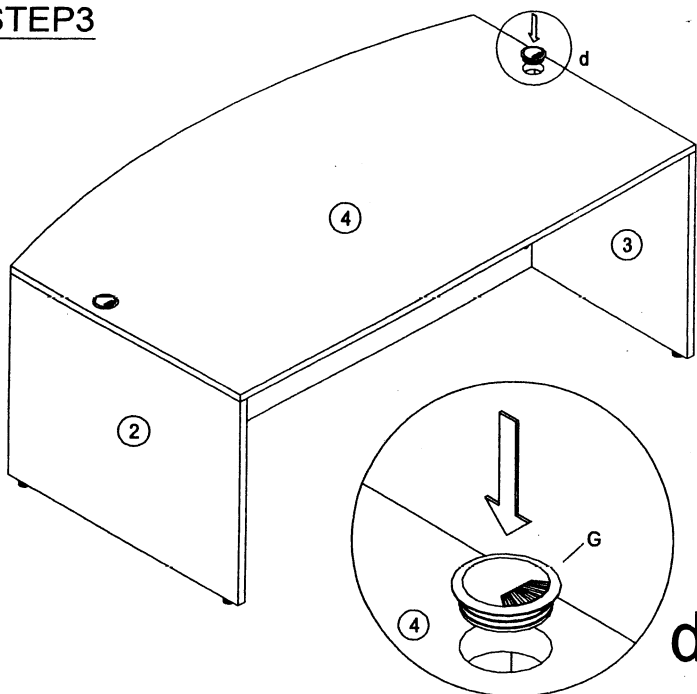
### STEP1



### STEP2



### STEP3



### IMPORTANT NOTE:

- Place all laminated parts on a clean and smooth surface such as a rug or carpet to avoid the parts from being scratched.
- Check to be sure that you have all parts and hardware.
- Remove all wrapping materials, including staples & packing straps before you start to assemble.
- Don't tighten all screws/bolts until all completely assembled.
- Keep all hardware parts out of reach of children.
- It is recommended to require 2 persons to complete the assembly.