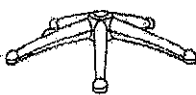



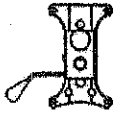



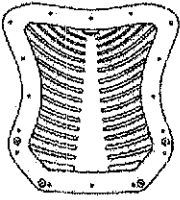

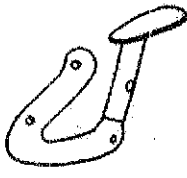
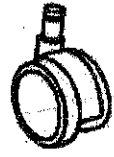
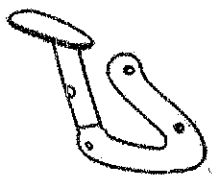

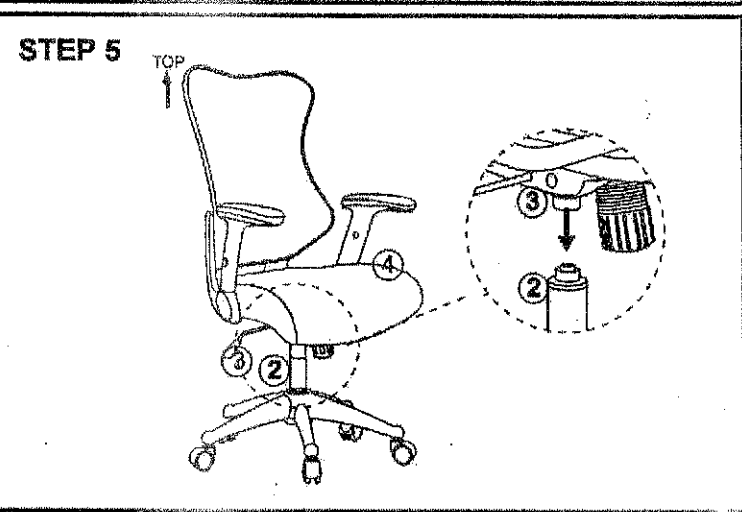
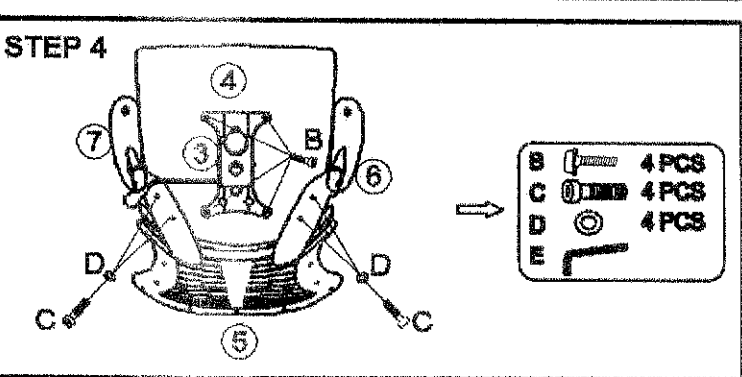
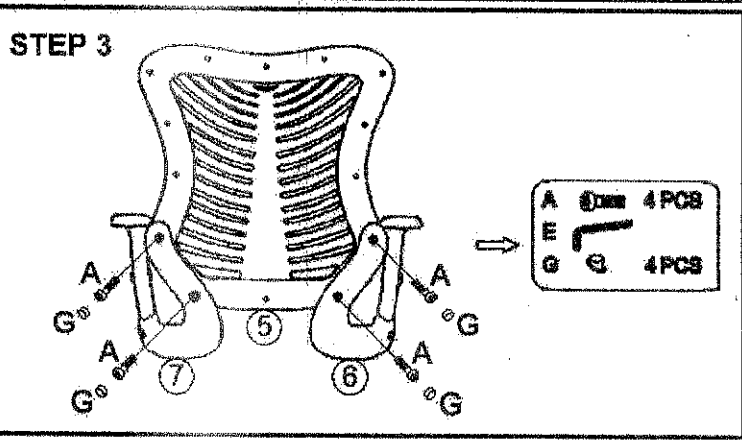
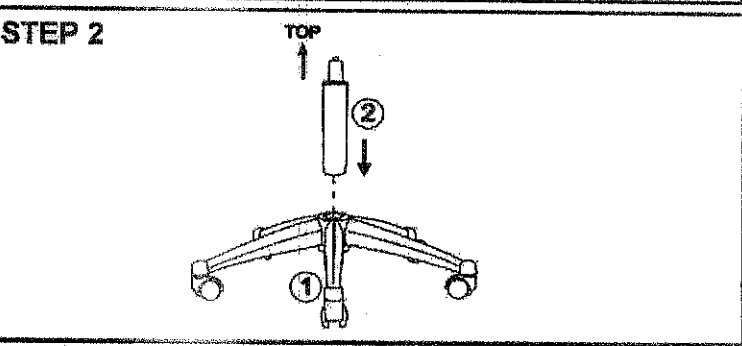
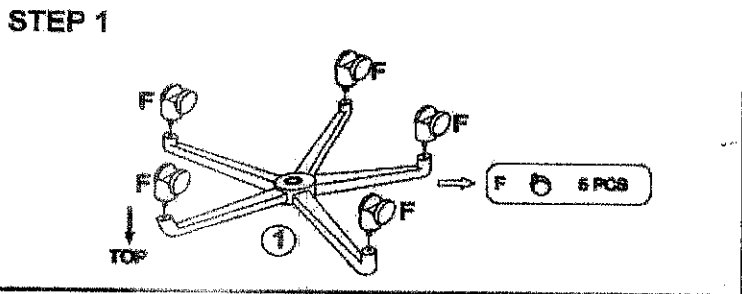


| | |
|--|--|
| <p>① X 1</p>  | <p>A.M6*20 X 4</p>  |
| <p>② X 1</p>  | <p>B.M6*20 X 4</p>  |
| <p>③ X 1</p>  | <p>C.M6*35 X 4</p>  |
| <p>④ X 1</p>  | <p>D.X 4</p>  |
| <p>⑤ X 1</p>  | <p>E.X 1</p>  |
| <p>⑥ X 1</p>  | <p>F.X 5</p>  |
| <p>⑦ X 1</p>  | <p>G.X 4</p>  |



NOTICE:
EVERY 6 MONTHS, PLEASE MAKE SURE ALL BOLTS,
SCREWS AND KNOBS ARE FULLY TIGHTENED TO
ENSURE STABILITY.