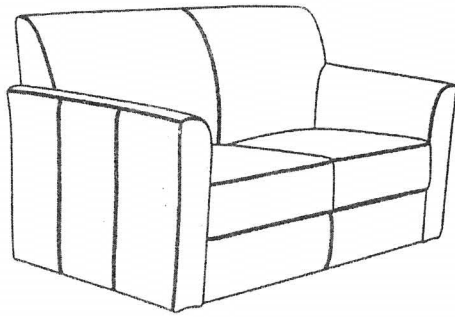


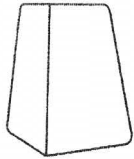
BT-827-2
PARTS

ASSEMBLY INSTRUCTION

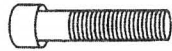
(1)X1



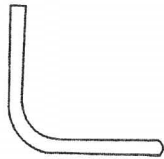
(2)X4



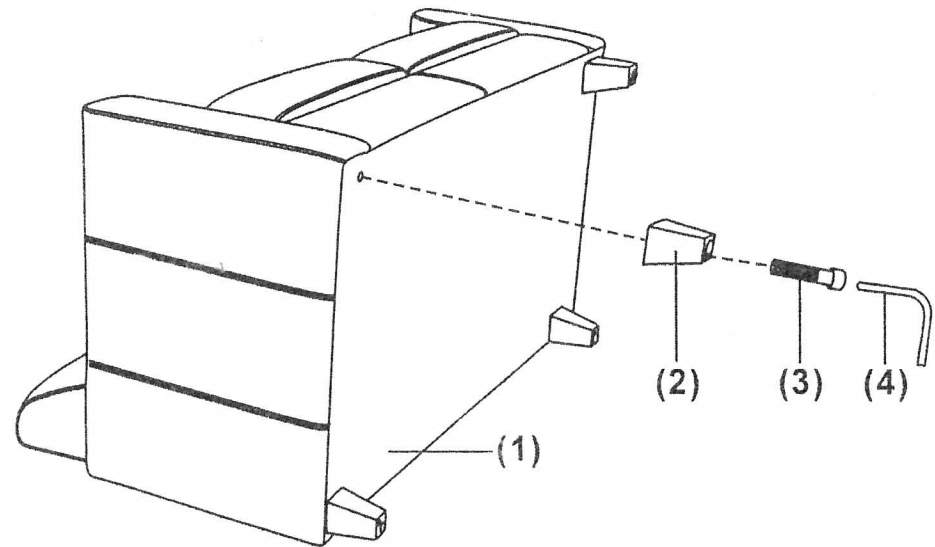
(3)X4



(4)X1



①



②

