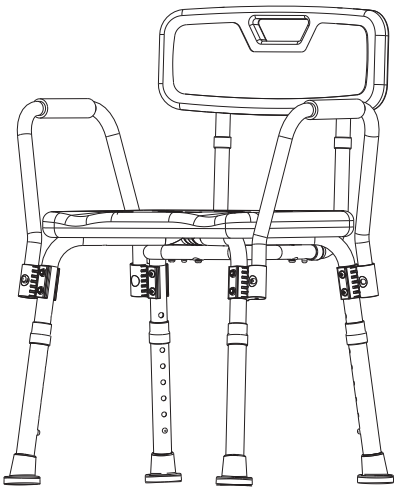


*Thank you for your purchase!*



## Adjustable Bath & Shower Chair With Back & Arms

### ASSEMBLY INSTRUCTIONS

#### **Before You Begin:**

Please identify all component parts and hardware pieces required before you begin. Carefully remove all of the components from the packaging and set aside for assembly. Assemble on a soft surface to prevent scratching during assembly.

#### **Caution:**

Tighten all components securely before use. Failure to do so may result in personal injury.

DO NOT use any sharp objects to open plastic wrapped components as damage to product or components may result.

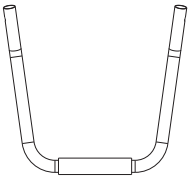
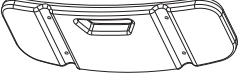


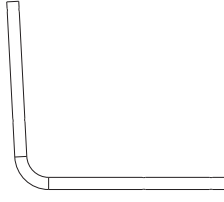
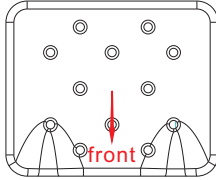

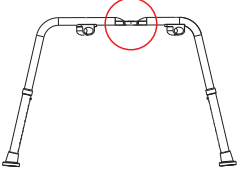
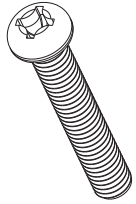
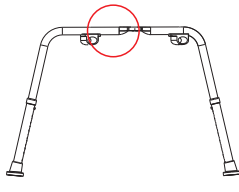
#### **Warning:**

CHOKING HAZARD - Small Parts. Adult Assembly Required.

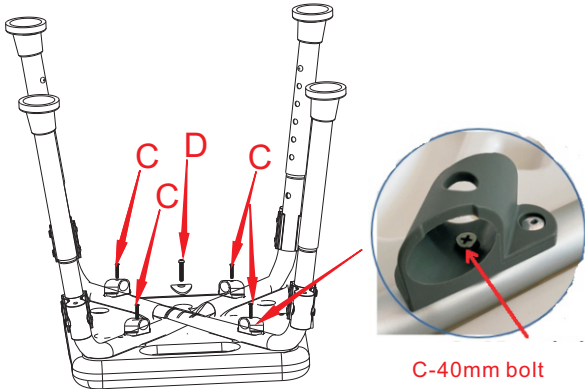
DO NOT ALLOW CHILDREN TO CLIMB ON THE CHAIR

---

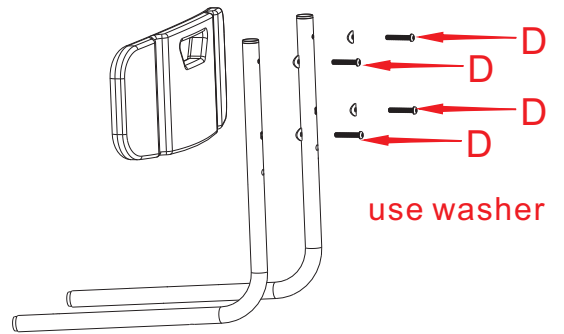
**PARTS:**

 <p>x2 armrest tubes</p>	 <p>x1 plastic backrest</p>	  <p>C - x 4 40mm flat head bolts were reserved in the holes</p> <p>C-40mm bolt</p>
 <p>x2 backrest tubes</p>	 <p>x1 plastic seat</p>	 <p>x 5 washers placed in the hardware bag</p>
 <p>x1 frame tube A</p>	 <p>D- X 5 35 mm round head bolts Placed in the hardware bag</p>	 <p>x1 frame tube B</p>

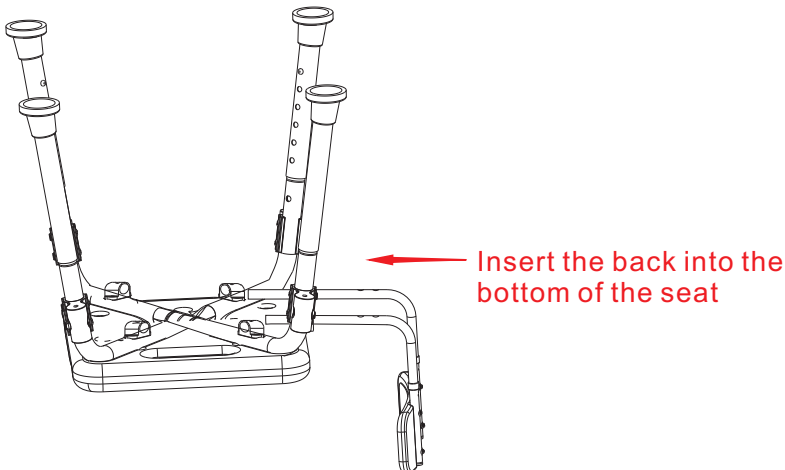
**STEP1**



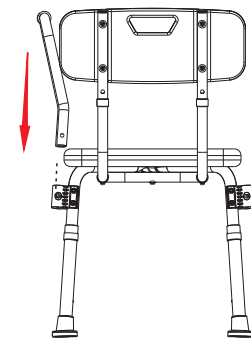
**STEP2**



**STEP3**



**STEP4**



*Thank you for purchase!*