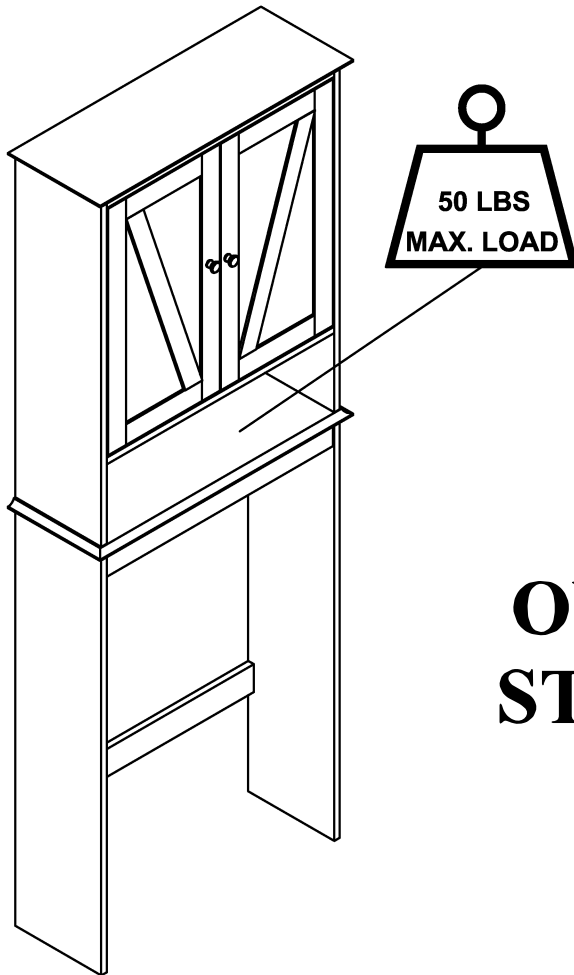


Thank you for your purchase!



OVER THE TOILET STORAGE CABINET

ASSEMBLY INSTRUCTIONS

Before You Begin: Phillips screwdriver required for assembly (not included).

Please identify all component parts and hardware pieces required before you begin. Carefully remove all of the components from the packaging and set aside for assembly. Assemble on a soft surface to prevent scratching during assembly.

Caution:

Tighten all components securely before use. Failure to do so may result in personal injury. DO NOT use any sharp objects to open plastic wrapped components as damage to product or components may result.

Warning:

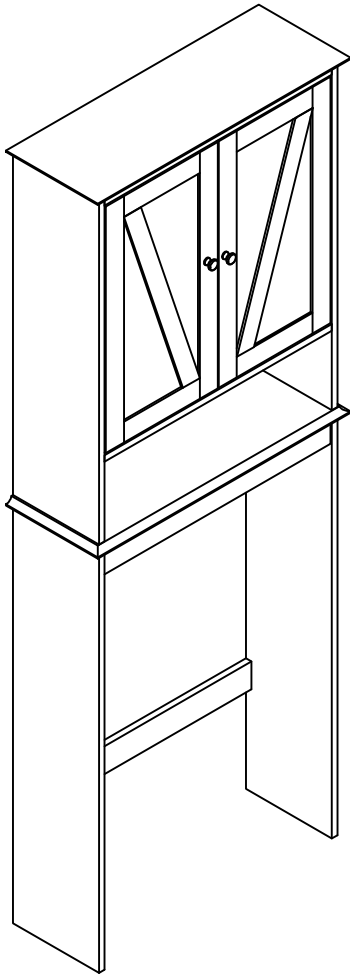
CHOKING HAZARD - Small Parts. Adult Assembly Required.

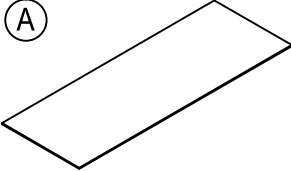
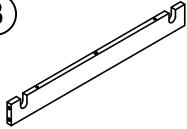

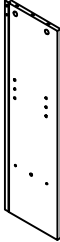

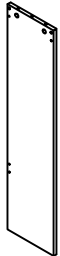
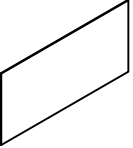

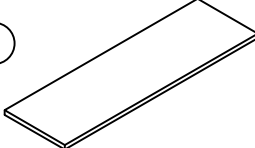
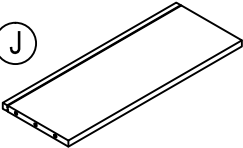
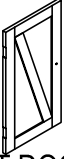
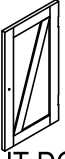
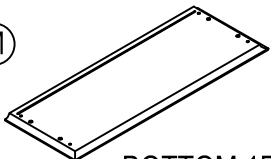
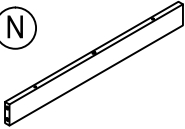
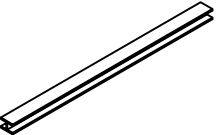

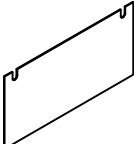
DO NOT ALLOW CHILDREN TO CLIMB ON FURNITURE

Serious or fatal injuries can occur from furniture tipping over. You must install Tipping Restraint Hardware (where included) to help prevent the unit from tipping and causing accidental injury, instability, death or damage. The tipping restraint is intended only as a safety measure, it is not a substitute for proper adult supervision.

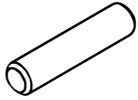
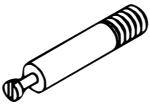

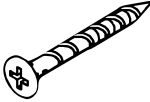
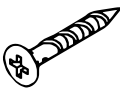

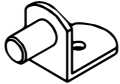
To help prevent furniture from tipping over it must be permanently attached to the wall. Anti-Tip Safety Wall Straps suitable for the unit weight and wall materials (if not included) should be purchased and installed.


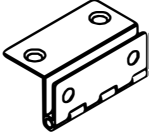



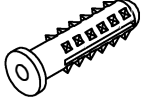
PARTS LIST



<p>(A)</p>  <p>TOP 1PC</p>	<p>(B)</p>  <p>UPPER REAR BRACE 1PC</p>		
<p>(C)</p>  <p>UPPER LEFT SIDE 1PC</p>	<p>(D)</p>  <p>UPPER RIGHT SIDE 1PC</p>		
<p>(E)</p>  <p>LOWER LEFT SIDE 1PC</p>	<p>(F)</p>  <p>LOWER RIGHT SIDE 1PC</p>		
<p>(G)</p>  <p>MIDDLE BACK PANEL 1PC</p>	<p>(H)</p>  <p>LOWER BACK PANEL 1PC</p>	<p>(I)</p>  <p>ADJUSTABLE SHELF 1PC</p>	<p>(J)</p>  <p>FIXED SHELF 1PC</p>
<p>(K)</p>  <p>LEFT DOOR 1PC</p>	<p>(L)</p>  <p>RIGHT DOOR 1PC</p>	<p>(M)</p>  <p>BOTTOM 1PC</p>	<p>(N)</p>  <p>MIDDLE REAR BRACE 2PCS</p>
<p>(O)</p>  <p>H CLIP 1PC</p>	<p>(P)</p>  <p>BOTTOM REAR BRACE 1PC</p>	<p>(Q)</p>  <p>UPPER BACK PANEL 1PC</p>	

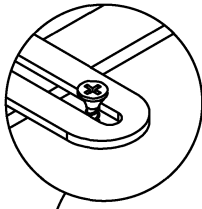
HARDWARE LIST

ITEM	DESCRIPTION	QTY
①	Ø8*30mm WOOD DOWELS 	21 pcs
②	Ø6*34mm CAMLOCK 	26 pcs
③	Ø15*9mm CAMLOCK 	26 pcs
④	#4*40mm SCREW 	6 pcs
⑤	#4*15mm SCREW 	2 pcs
⑥	#3.5*15mm SCREW 	20 pcs
⑦	20x18x14mm SHELF PIN 	4 pcs

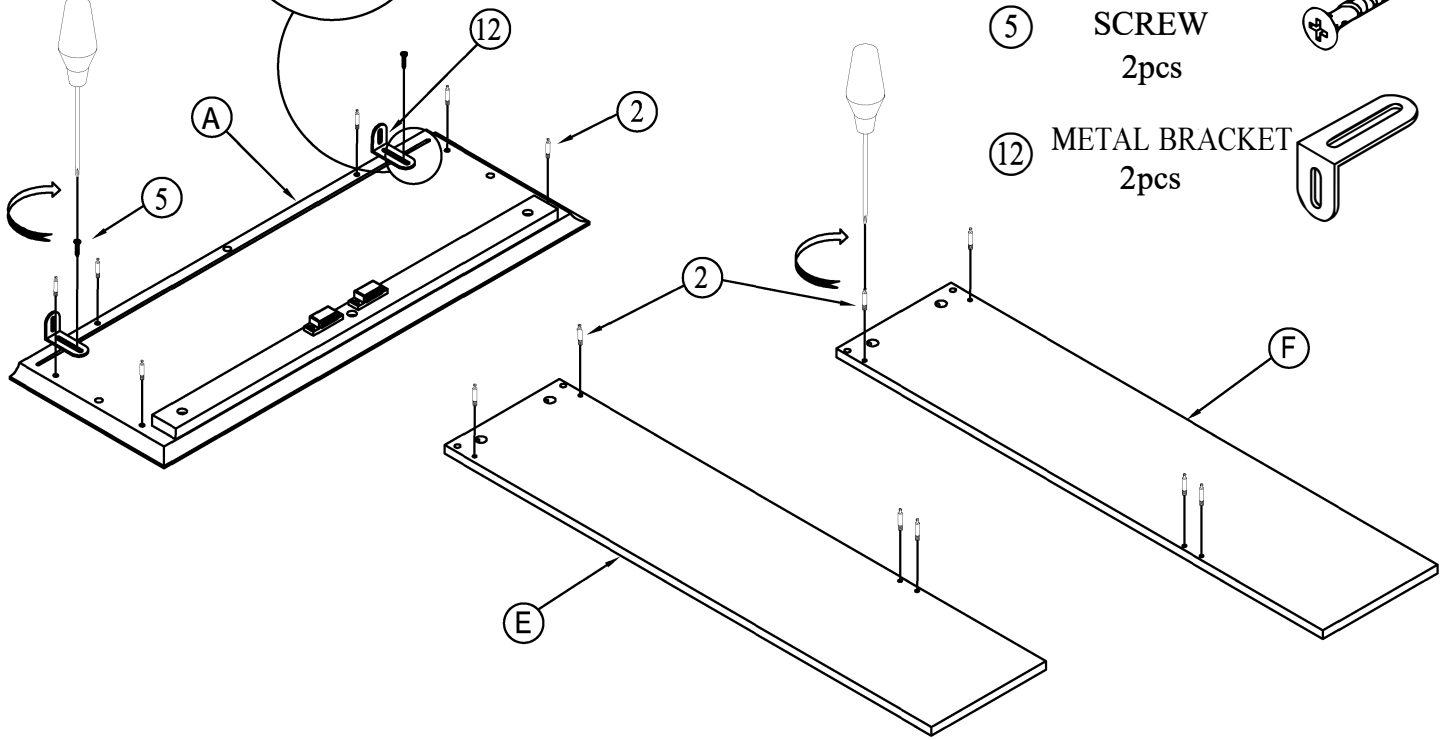
ITEM	DESCRIPTION	QTY
⑧	#3.5*12 SCREW 	4 pcs
⑨	HINGE 	4 pcs
⑩	HANDLE 	2 pcs
⑪	5/32"*19mm BOLT 	2 pcs
⑫	METAL BRACKET 	2 pcs
⑬	WALL ANCHOR 	2 pcs


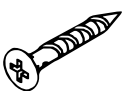
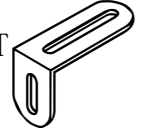
INSTALLATION

STEP 1

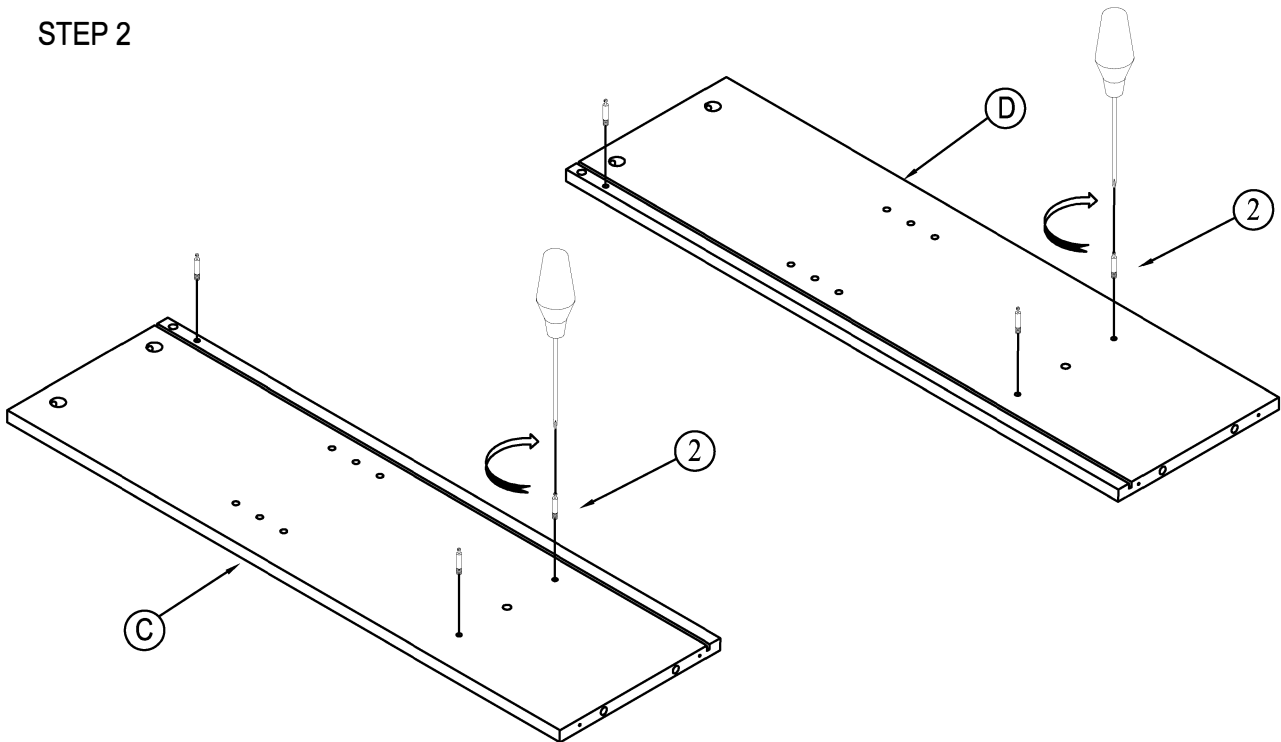


NOTE: Do not completely tighten screws on part 12.



- ② Ø6*34mm CAMLOCK 14pcs 
- ⑤ #4*15mm SCREW 2pcs 
- ⑫ METAL BRACKET 2pcs 

STEP 2

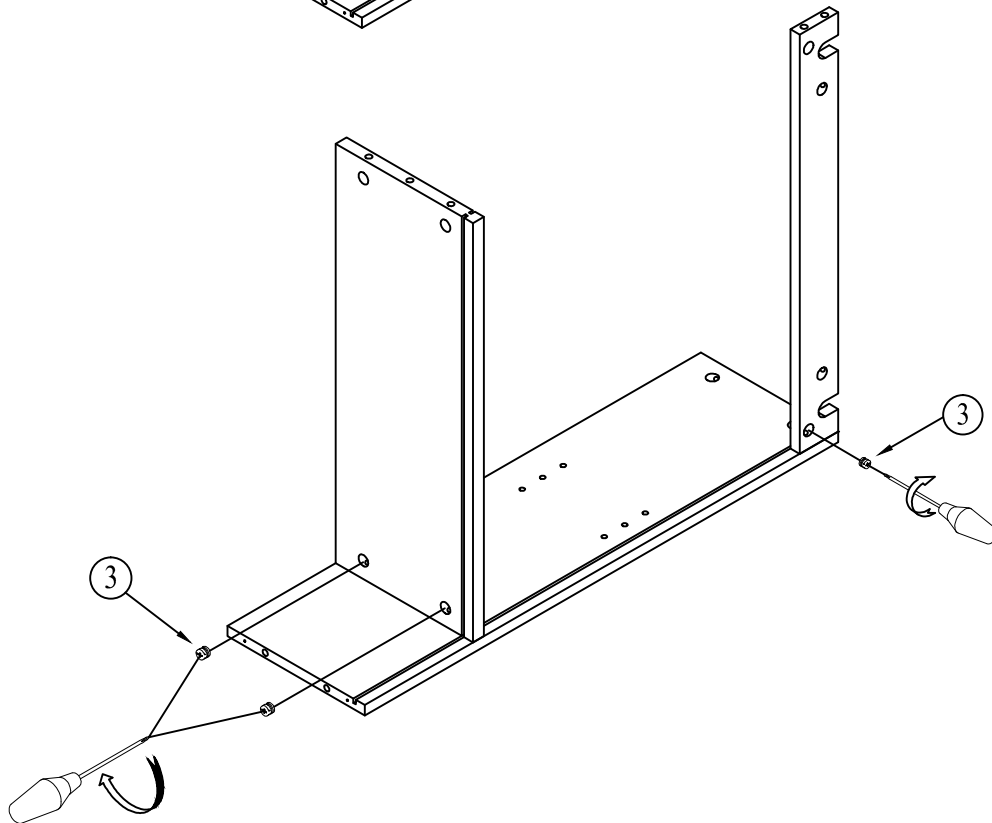
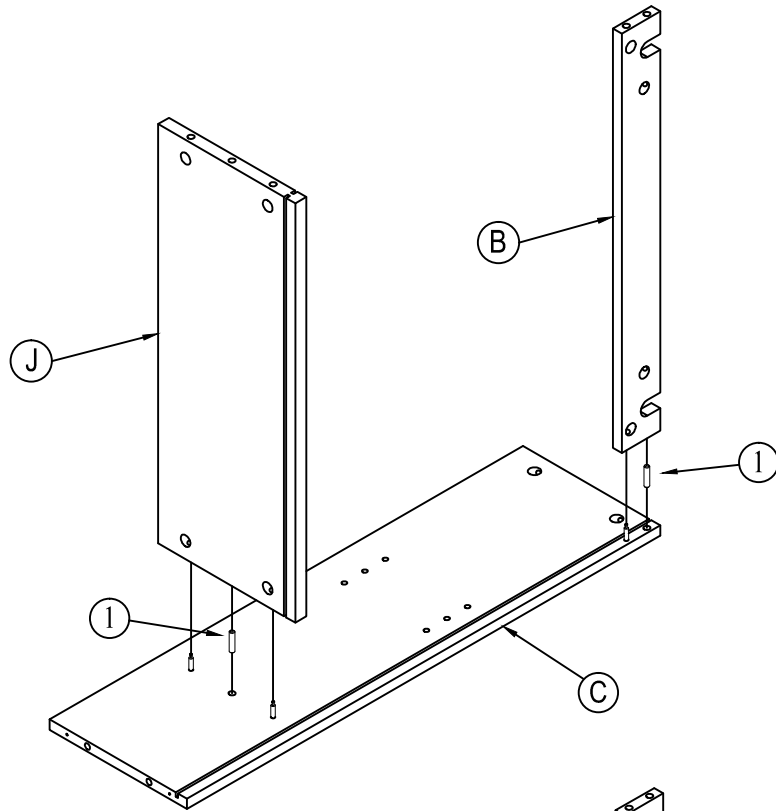
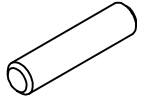


- ② Ø6*34mm CAMLOCK 6pcs 

STEP 3

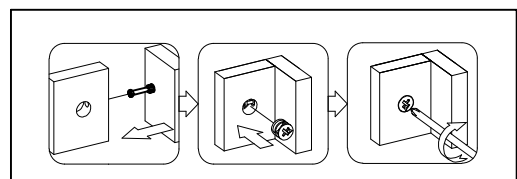
①

Ø8*30mm
WOOD DOWELS
2pcs



③

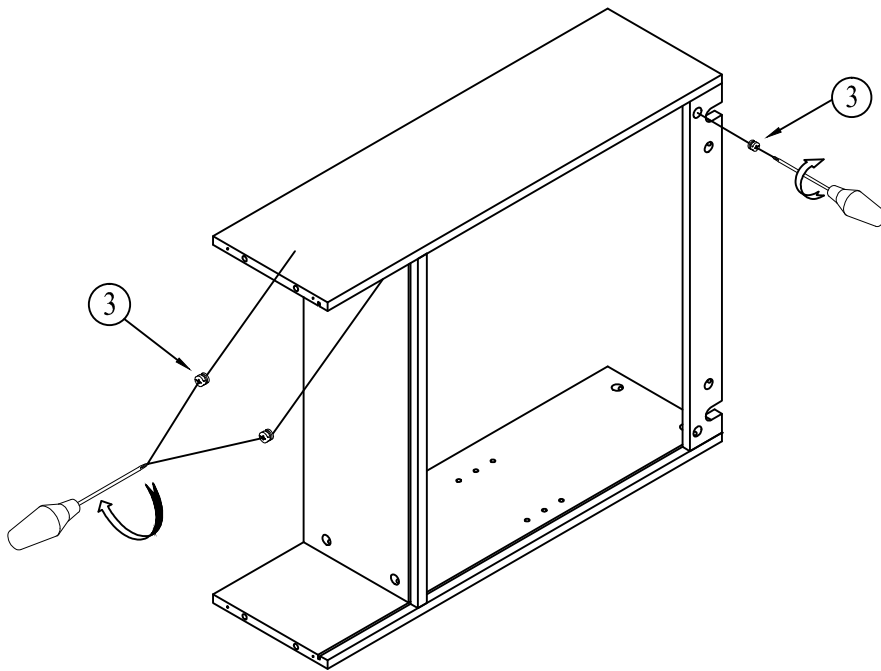
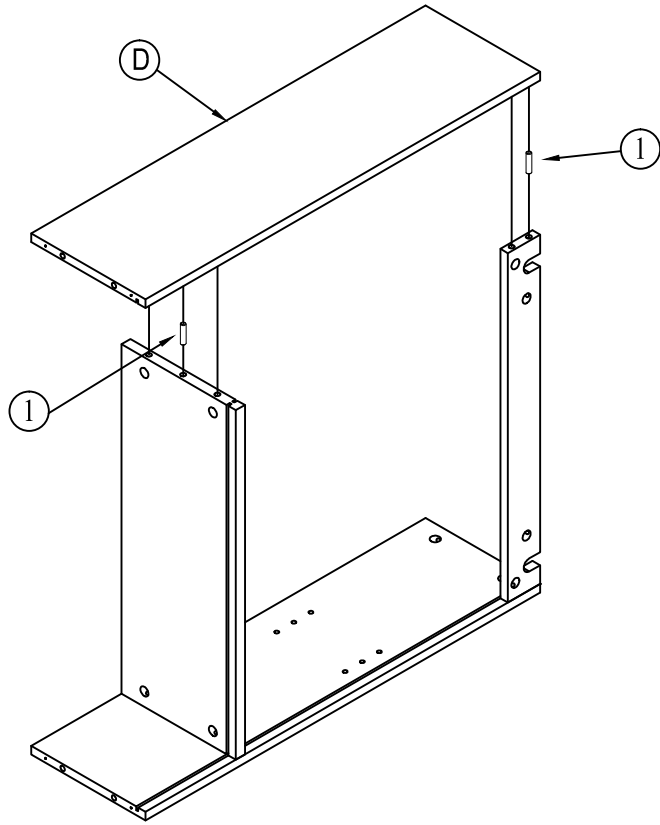
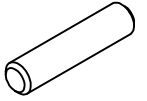
Ø15*9mm
CAMLOCK
3pcs



STEP 4

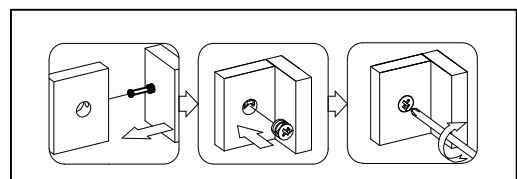
①

Ø8*30mm
WOOD DOWELS
2pcs



③

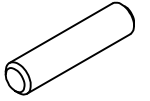
Ø15*9mm
CAMLOCK
3pcs



STEP 5

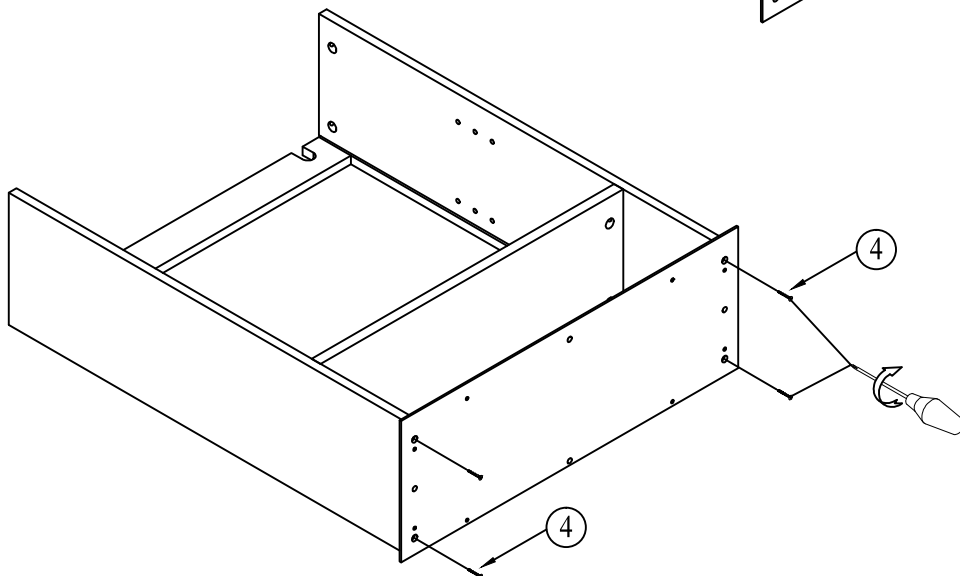
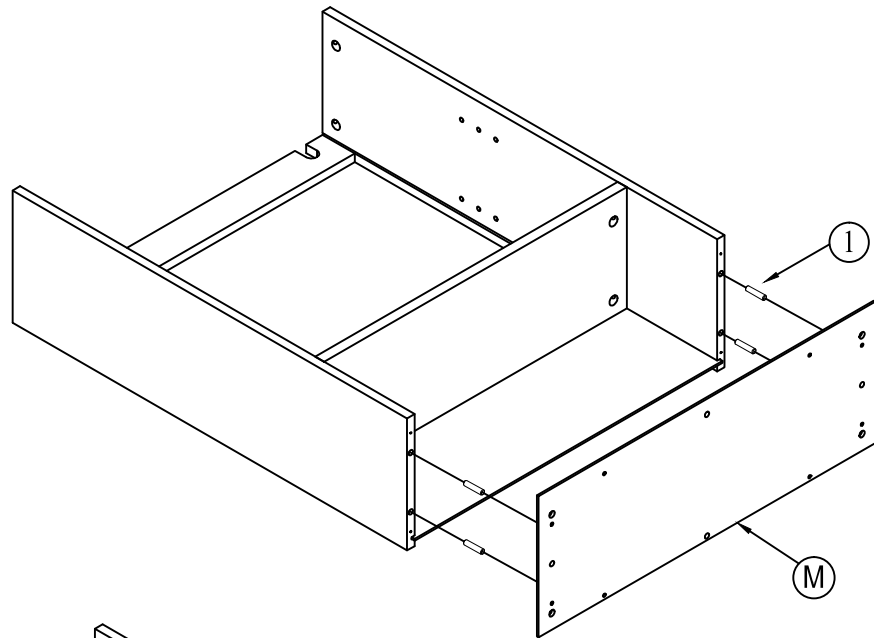
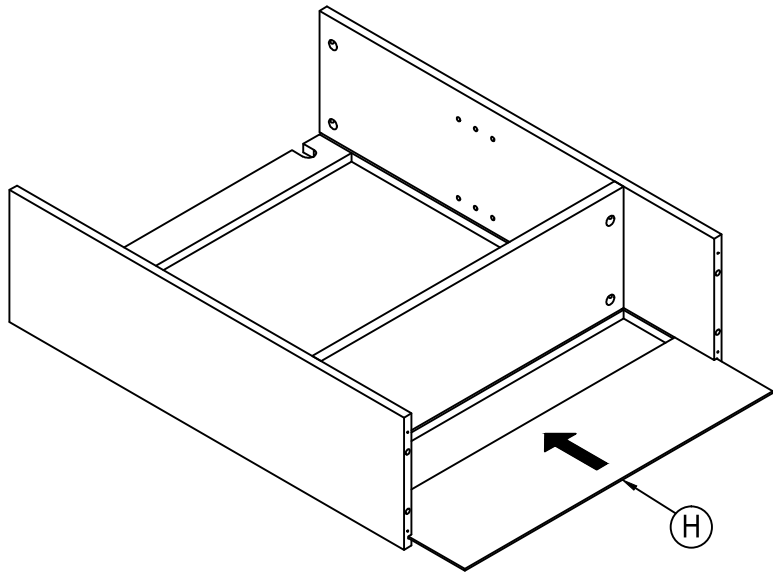
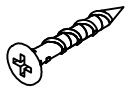
①

Ø8*30mm
WOOD DOWELS
4pcs

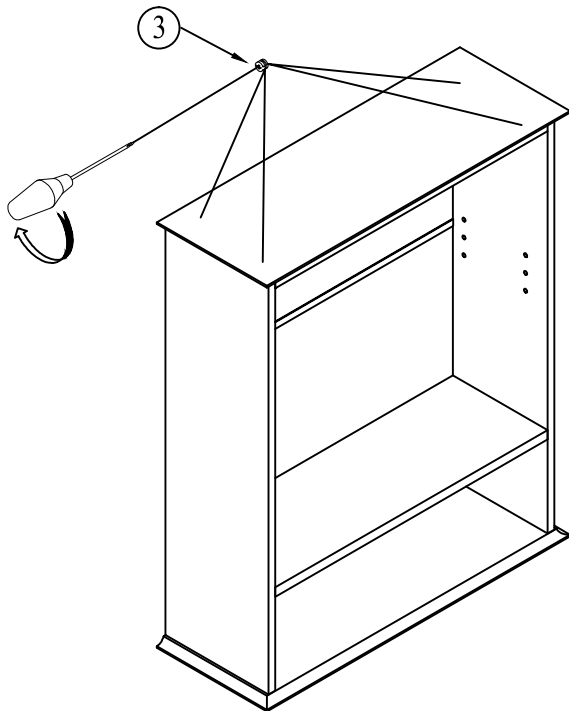
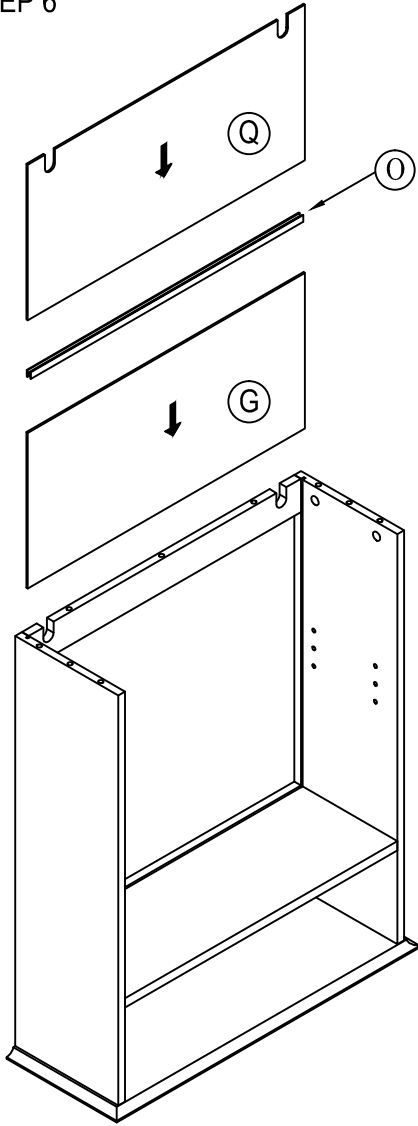


④

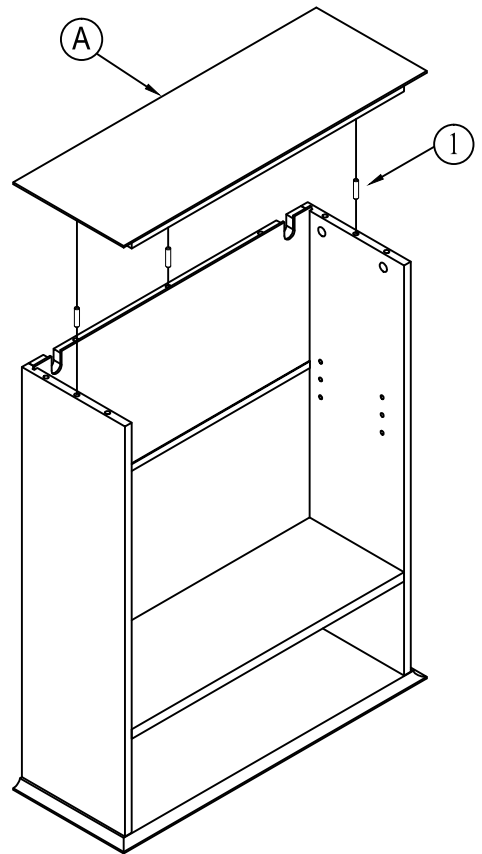
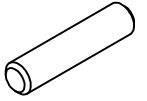
#4*40mm
SCREW
4pcs



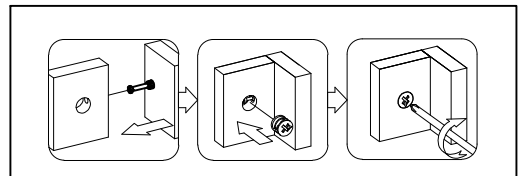
STEP 6



① Ø8*30mm
WOOD DOWELS
3pcs



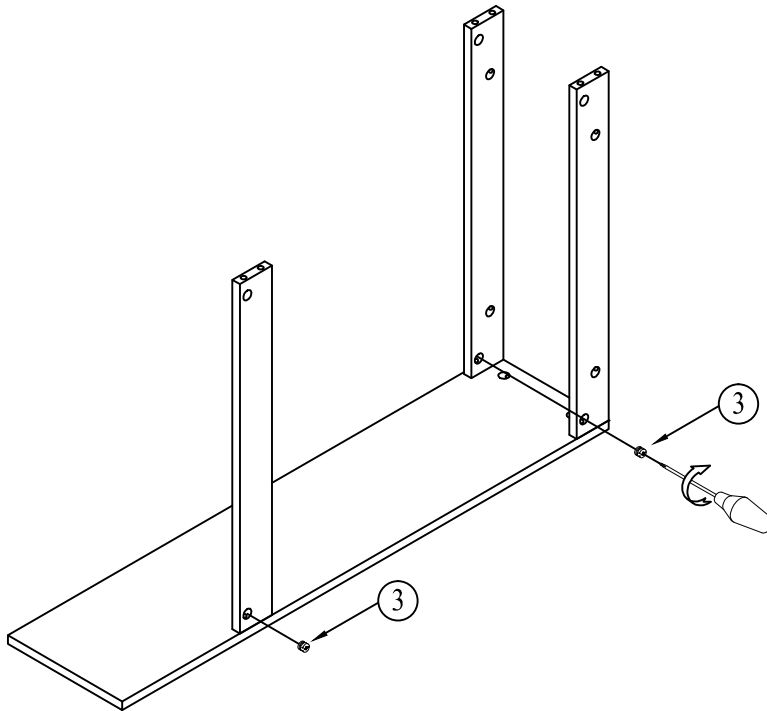
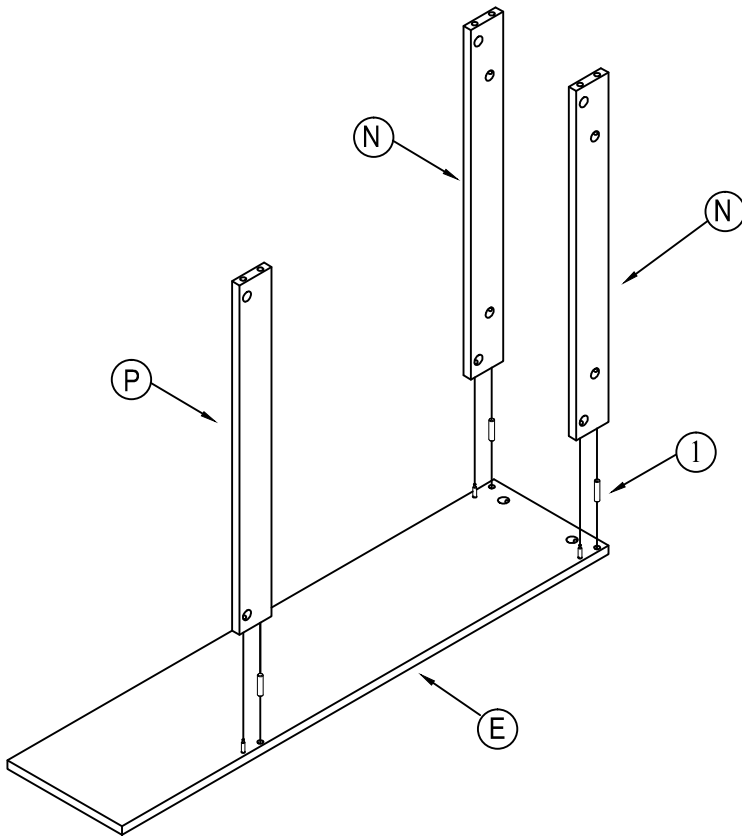
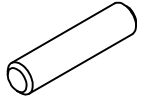
③ Ø15*9mm
CAMLOCK
4pcs



STEP 7

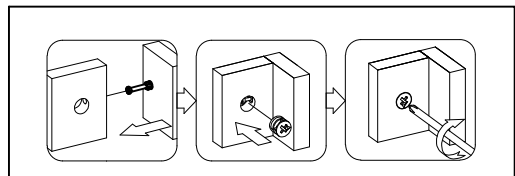
①

Ø8*30mm
WOOD DOWELS
3pcs



③

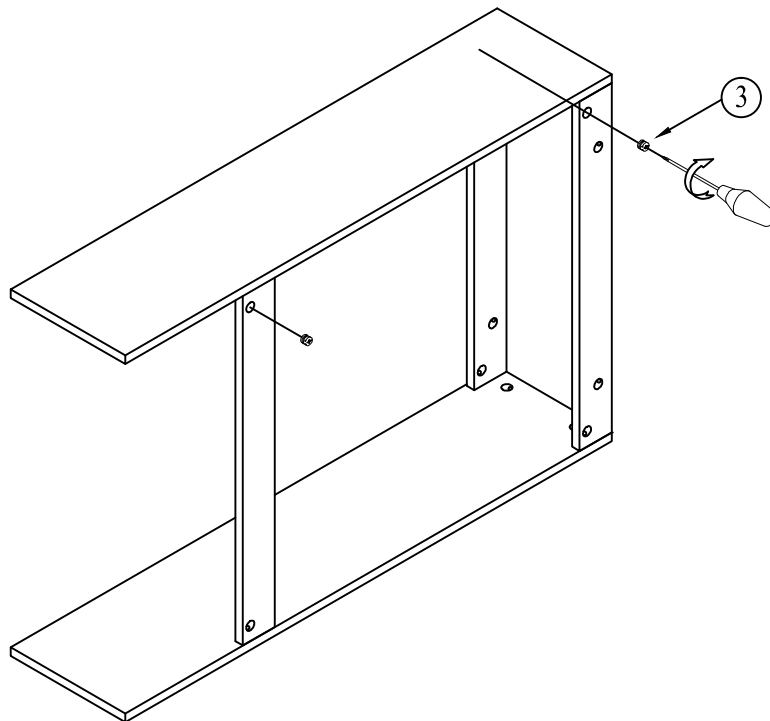
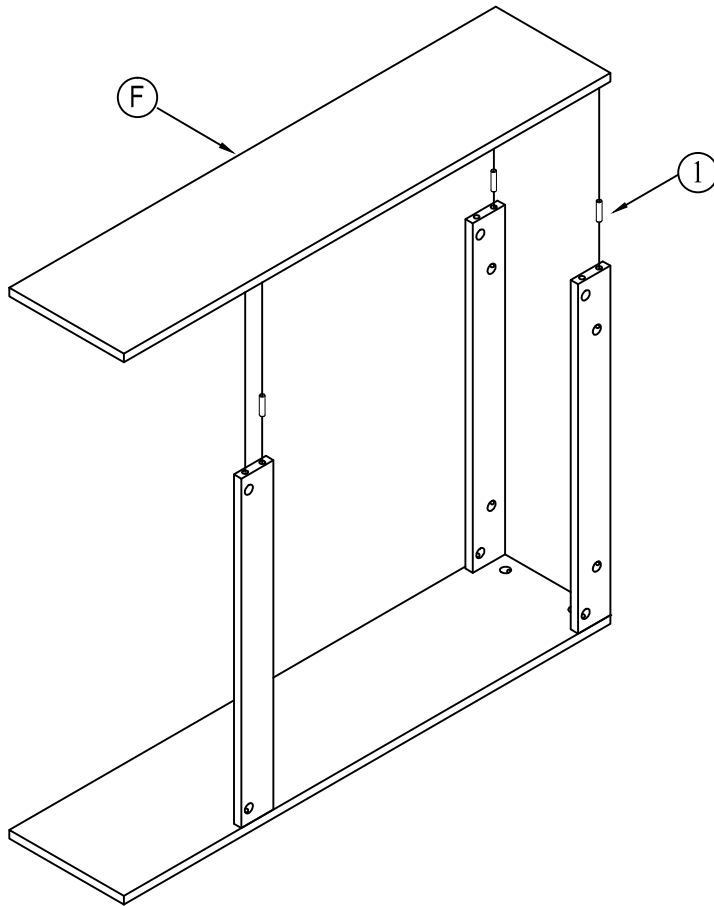
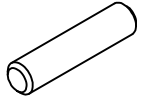
Ø15*9mm
CAMLOCK
3pcs



STEP 8

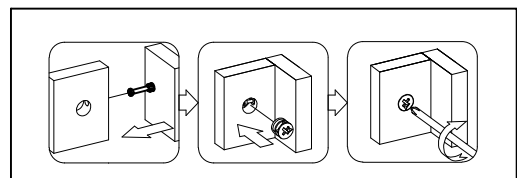
①

Ø8*30mm
WOOD DOWELS
3pcs



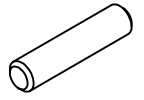
③

Ø15*9mm
CAMLOCK
3pcs

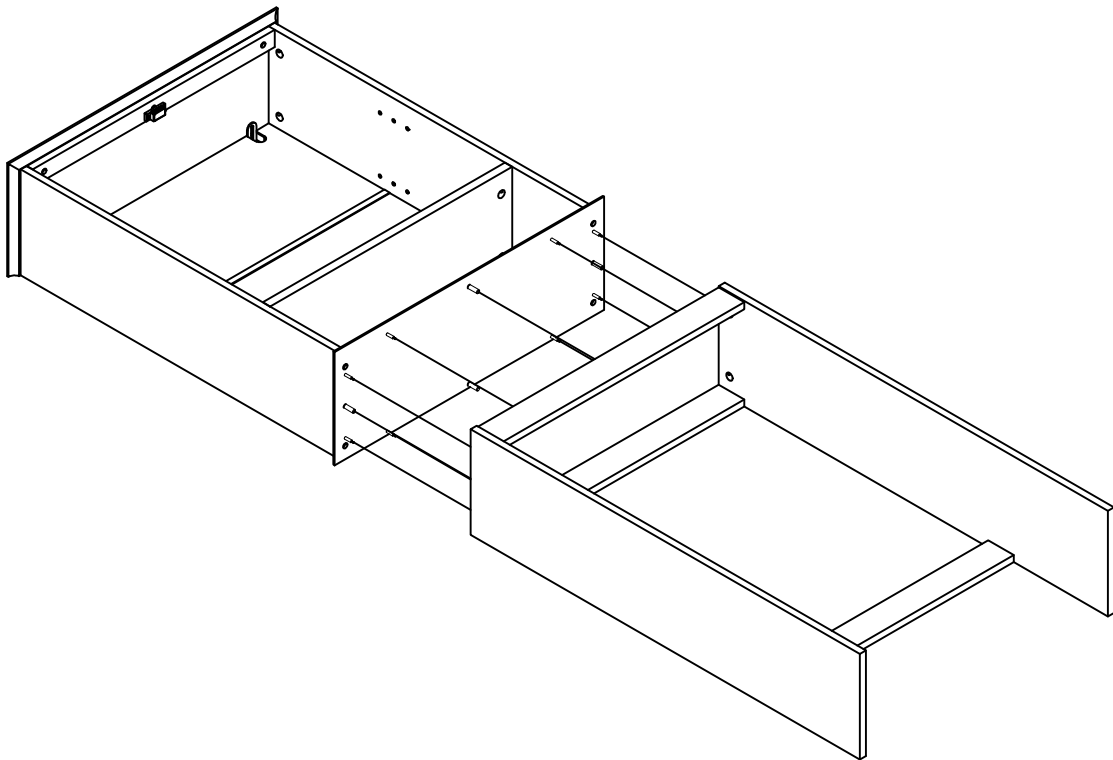
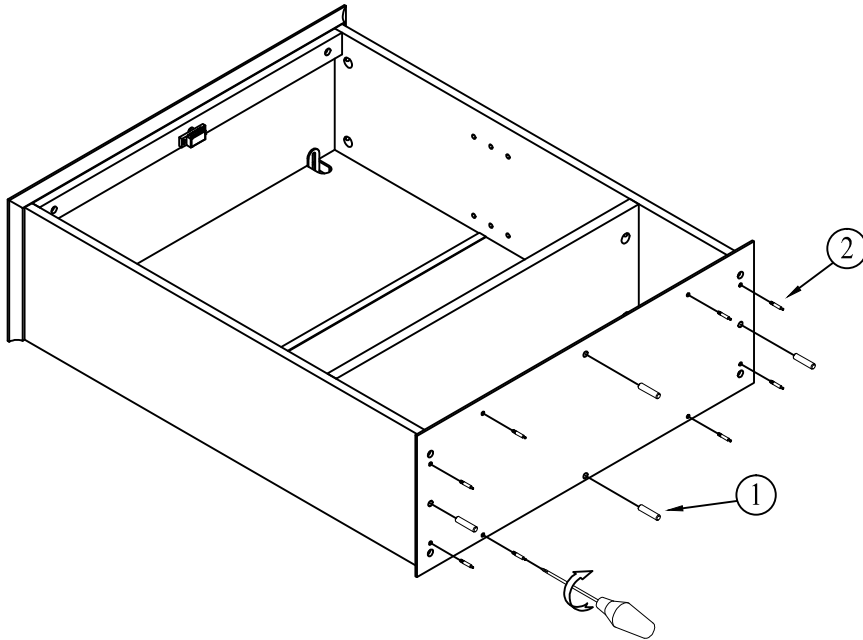
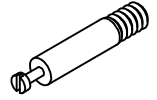


STEP 9

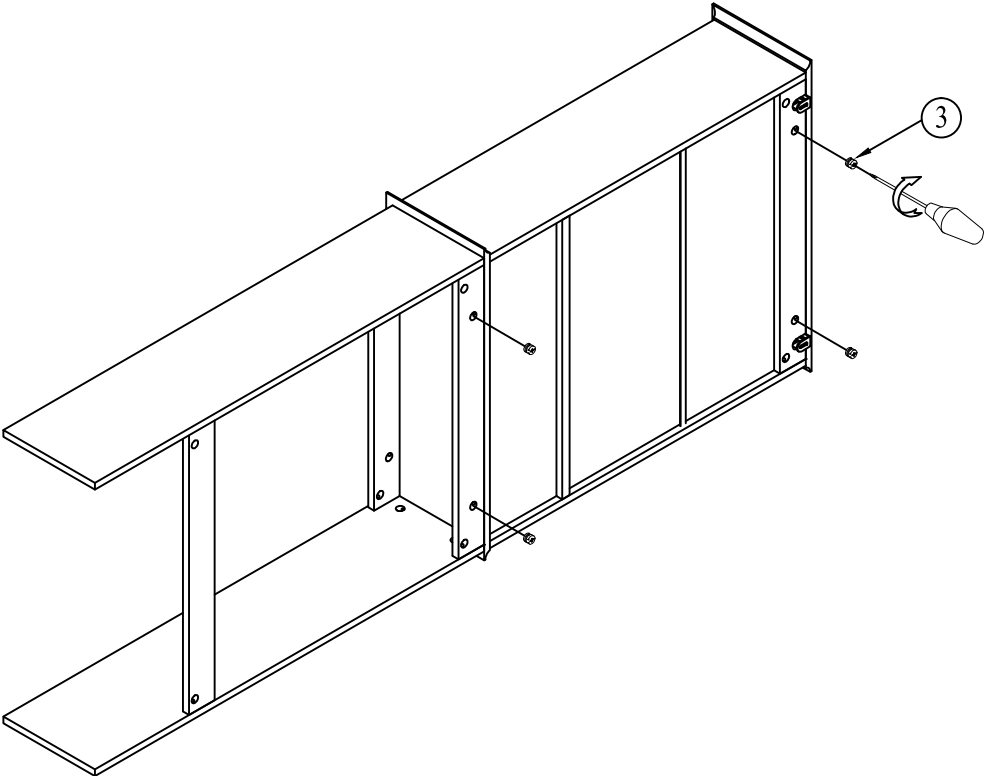
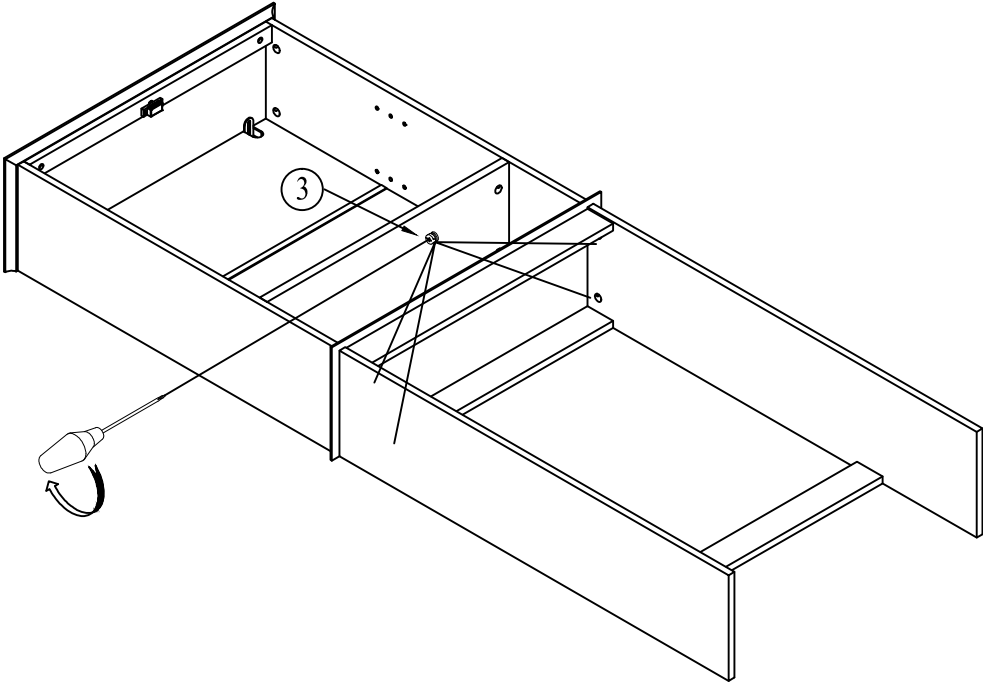
① Ø8*30mm
WOOD DOWELS
4pcs



② Ø6*34mm
CAMLOCK
8pcs

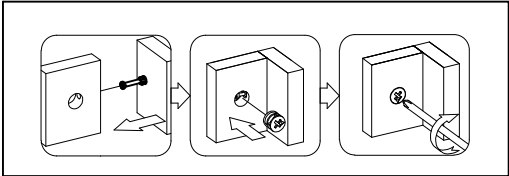


STEP 10



③

Ø15*9mm
CAMLOCK
8pcs



STEP 11

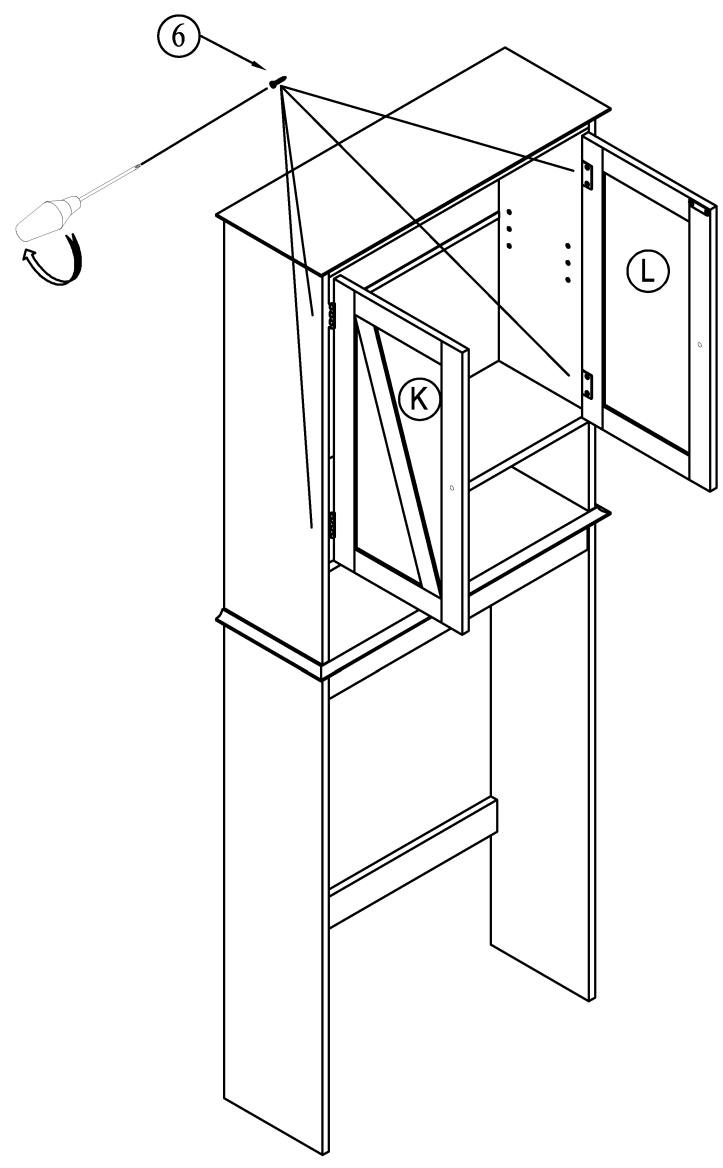
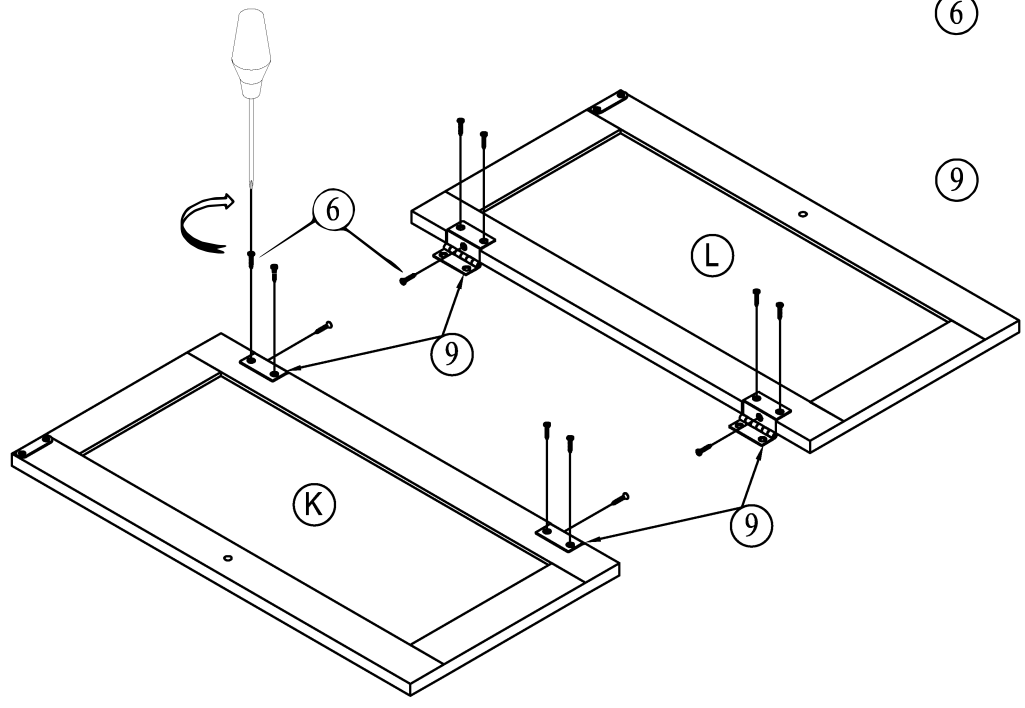
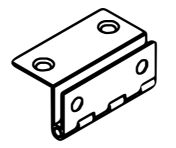
#3.5*15mm
SCREW
20pcs

⑥

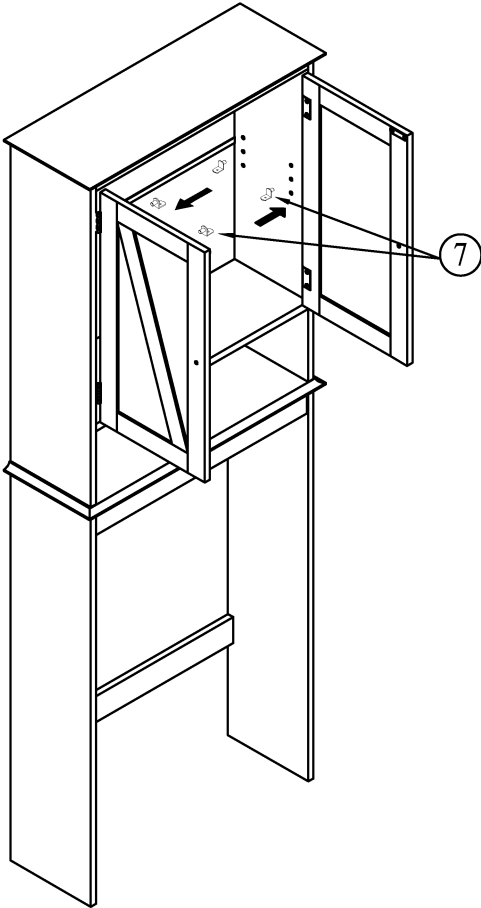


HINGE
4pcs

⑨

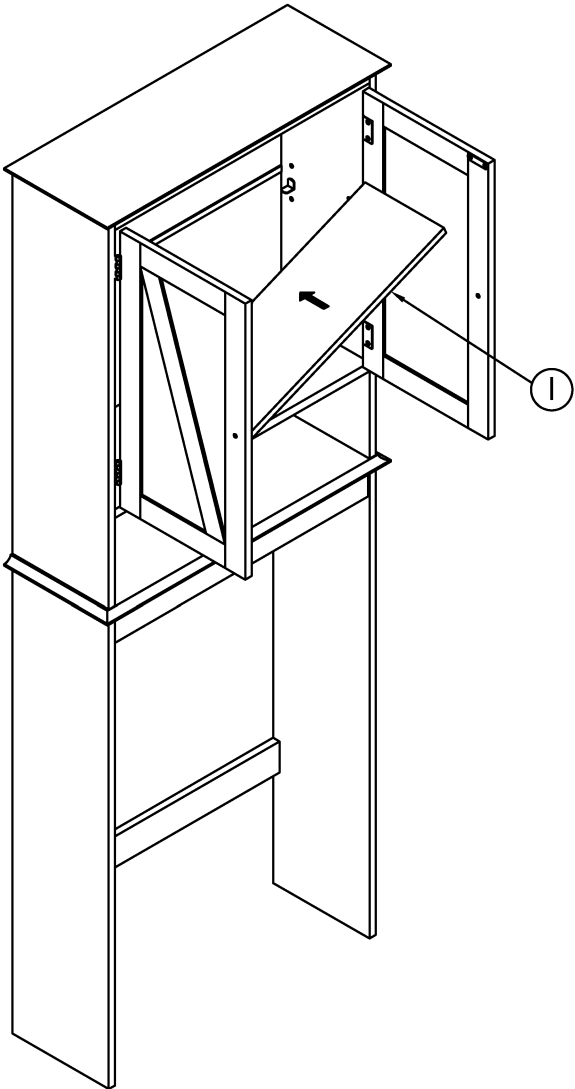


STEP 12






7

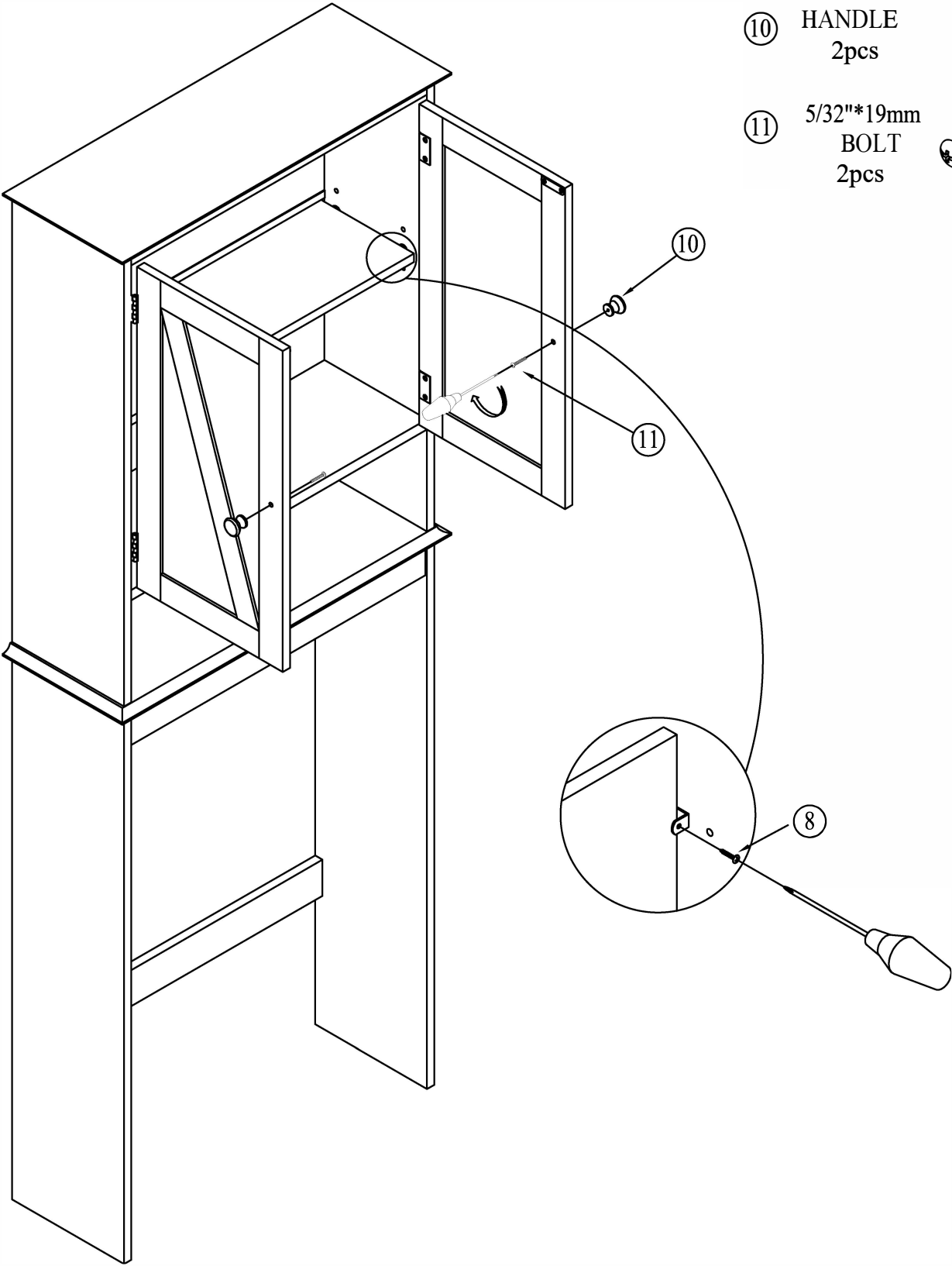
20x18x14mm
SHELF PIN
4pcs



1

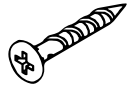
STEP 13

- ⑧ #3.5*12 SCREW 4pcs 
- ⑩ HANDLE 2pcs 
- ⑪ 5/32"*19mm BOLT 2pcs 

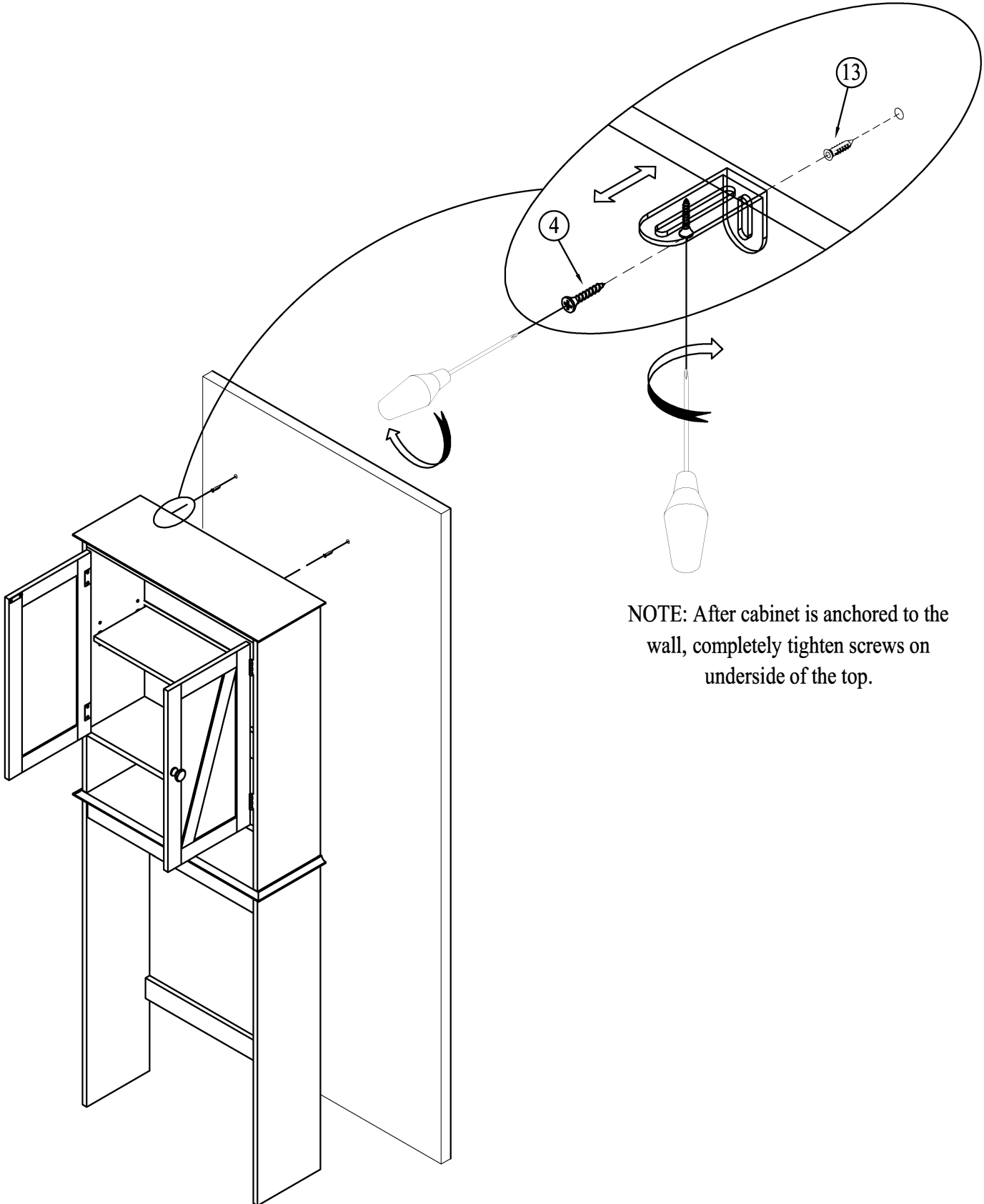
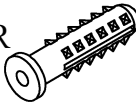


STEP 14

④ #4*40mm
SCREW
2pcs



⑬ WALL ANCHOR
2pcs



NOTE: After cabinet is anchored to the wall, completely tighten screws on underside of the top.