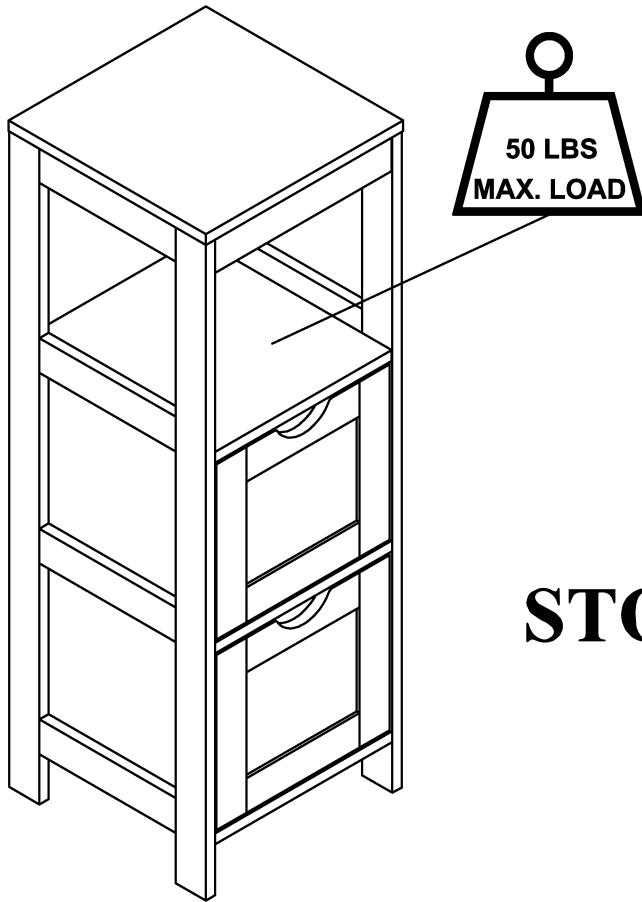


Thank you for your purchase!



2 DRAWER STORAGE CABINET

ASSEMBLY INSTRUCTIONS

Before You Begin: Phillips screwdriver required for assembly (not included).

Please identify all component parts and hardware pieces required before you begin. Carefully remove all of the components from the packaging and set aside for assembly. Assemble on a soft surface to prevent scratching during assembly.

Caution:

Tighten all components securely before use. Failure to do so may result in personal injury. DO NOT use any sharp objects to open plastic wrapped components as damage to product or components may result.

Warning:

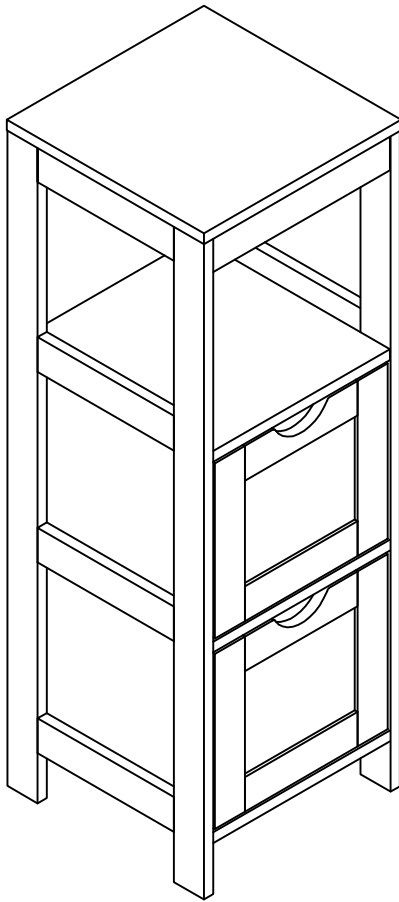
CHOKING HAZARD - Small Parts. Adult Assembly Required.

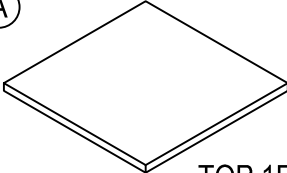
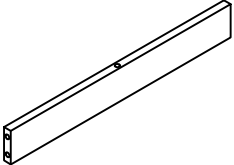


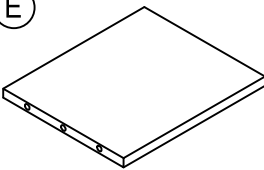
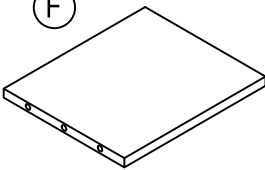
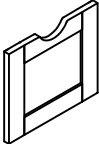
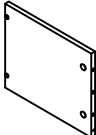
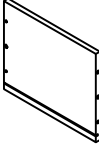
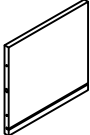
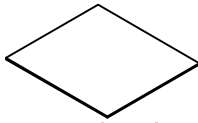

DO NOT ALLOW CHILDREN TO CLIMB ON FURNITURE

Serious or fatal injuries can occur from furniture tipping over. You must install Tipping Restraint Hardware (where included) to help prevent the unit from tipping and causing accidental injury, instability, death or damage. The tipping restraint is intended only as a safety measure, it is not a substitute for proper adult supervision.

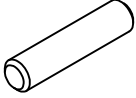
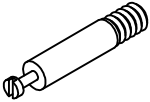

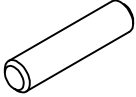
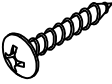
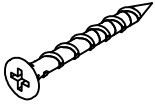
To help prevent furniture from tipping over it must be permanently attached to the wall. Anti-Tip Safety Wall Straps suitable for the unit weight and wall materials (if not included) should be purchased and installed.

PARTS LIST



<p>(A)</p>  <p>TOP 1PC</p>	<p>(B)</p>  <p>TABLE TOP BRACE 2PCS</p>
<p>(C)</p>  <p>LEFT SIDE 1PC</p>	<p>(D)</p>  <p>RIGHT SIDE 1PC</p>
<p>(E)</p>  <p>UPPER SHELF 1PC</p>	<p>(F)</p>  <p>FRAME PLATFORM 2PCS</p>
<p>(G)</p>  <p>DRAWER FRONT 2PCS</p>	<p>(H)</p>  <p>DRAWER BACK 2PCS</p>
<p>(I)</p>  <p>LEFT DRAWER PANEL 2PCS</p>	<p>(J)</p>  <p>RIGHT DRAWER PANEL 2PCS</p>
<p>(K)</p>  <p>DRAWER BOTTOM 2PCS</p>	<p>(L)</p>  <p>BACK 1PC</p>

HARDWARE LIST

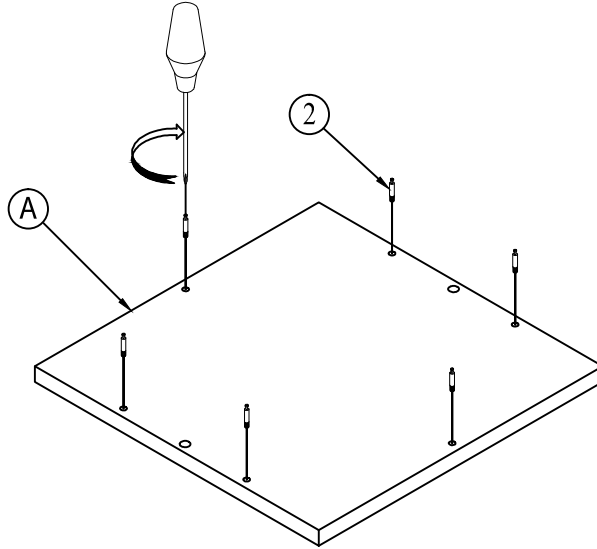
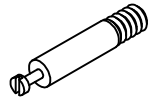
ITEM	DESCRIPTION	QTY
①	Ø8*30mm WOOD DOWELS 	12 pcs
②	Ø6*34mm CAMLOCK 	30 pcs
③	Ø15*9mm CAMLOCK 	30 pcs
④	Ø6*30mm WOOD DOWELS 	16 pcs
⑤	#3*15mm SCREW 	12pcs
⑥	#4*28mm SCREW 	8 pcs

INSTALLATION

STEP 1

②

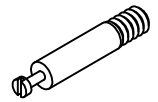
Ø6*34mm
CAMLOCK
6pcs



STEP 2

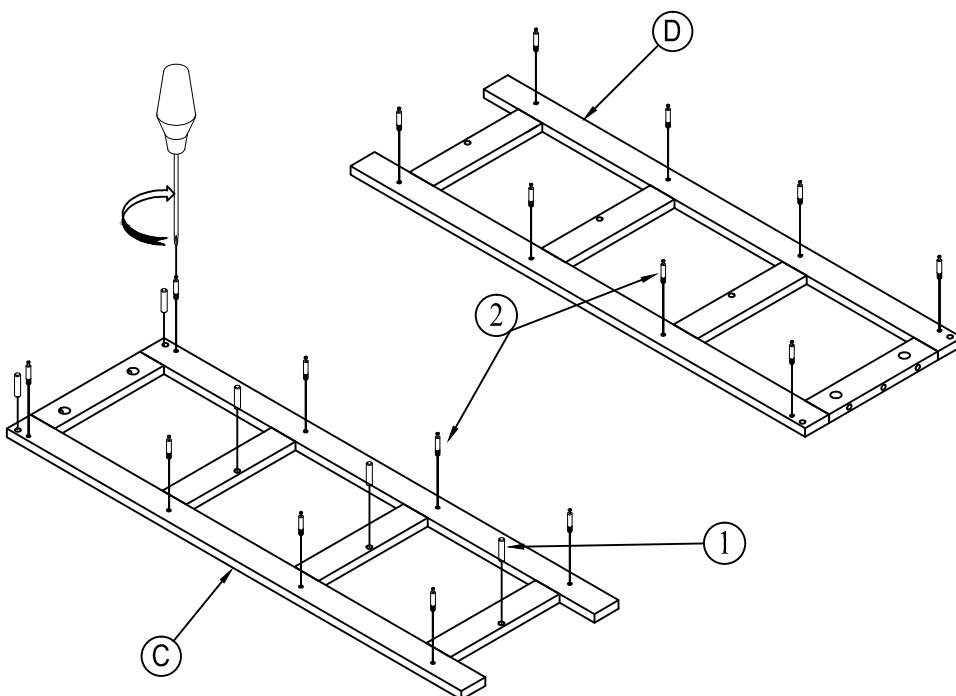
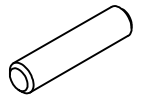
②

Ø6*34mm
CAMLOCK
16pcs

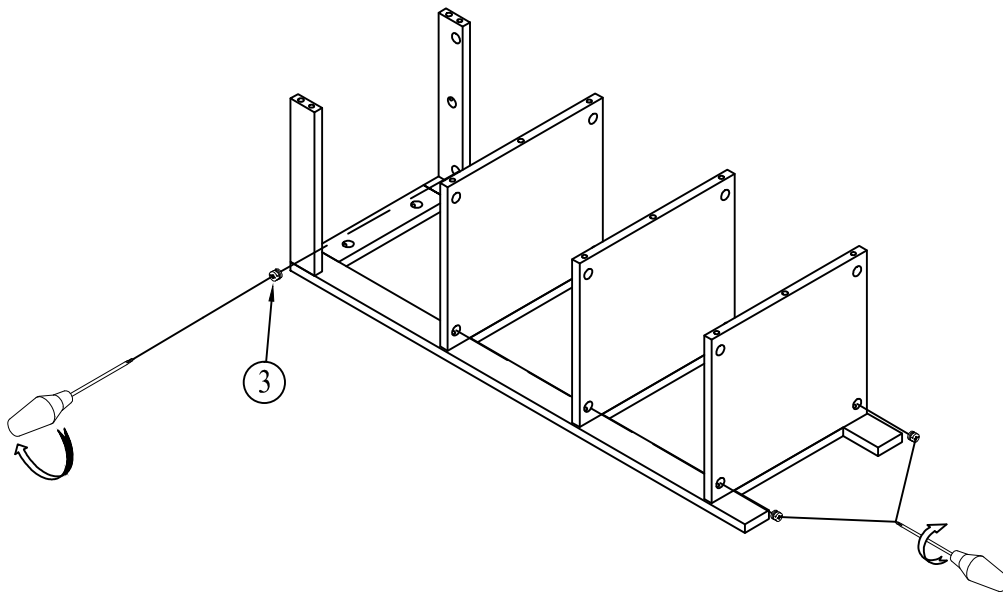
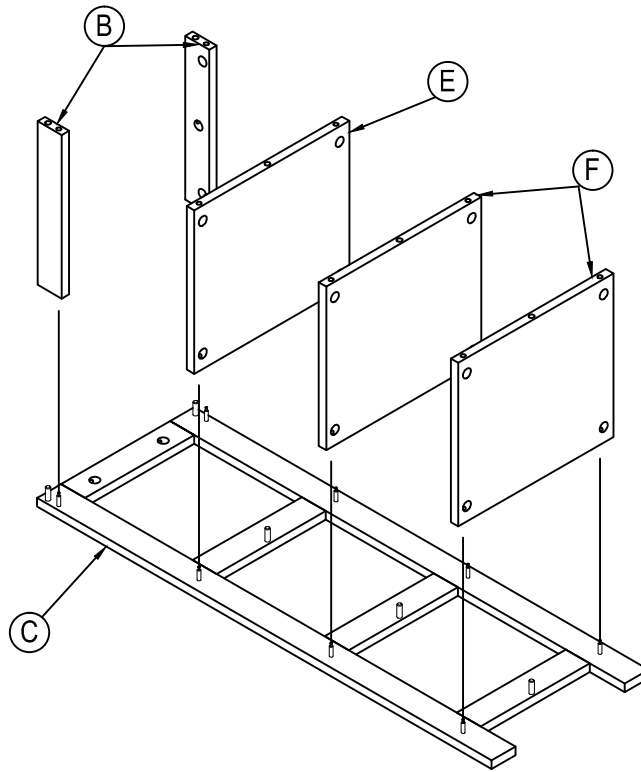


①

Ø8*30mm
WOOD DOWELS
5pcs

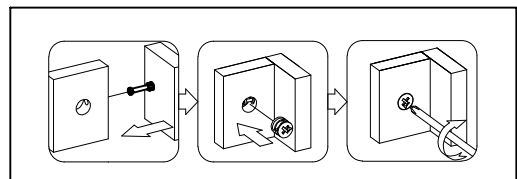


STEP 3



③

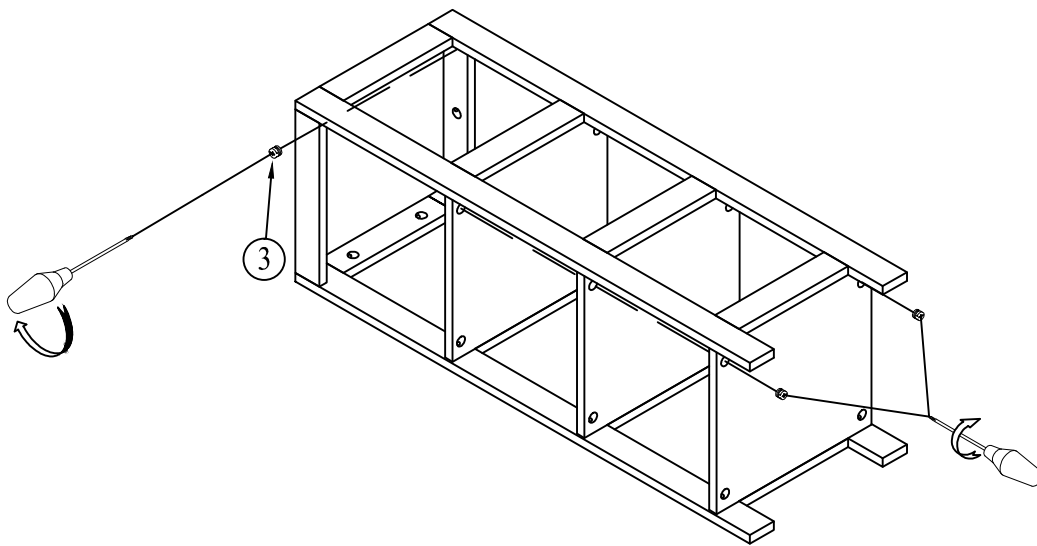
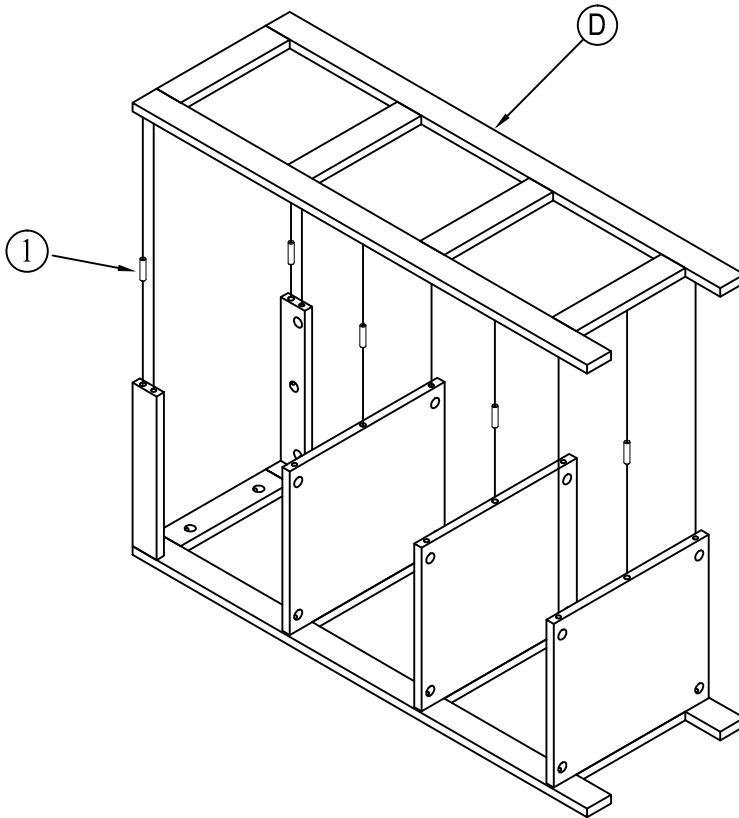
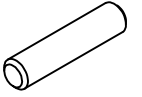
Ø15*9mm
CAMLOCK
8pcs



STEP 4

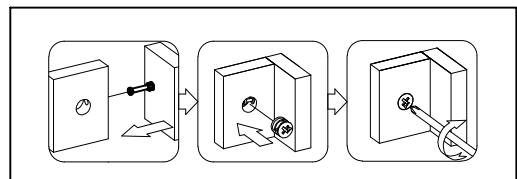
①

Ø8*30mm
WOOD DOWELS
5pcs

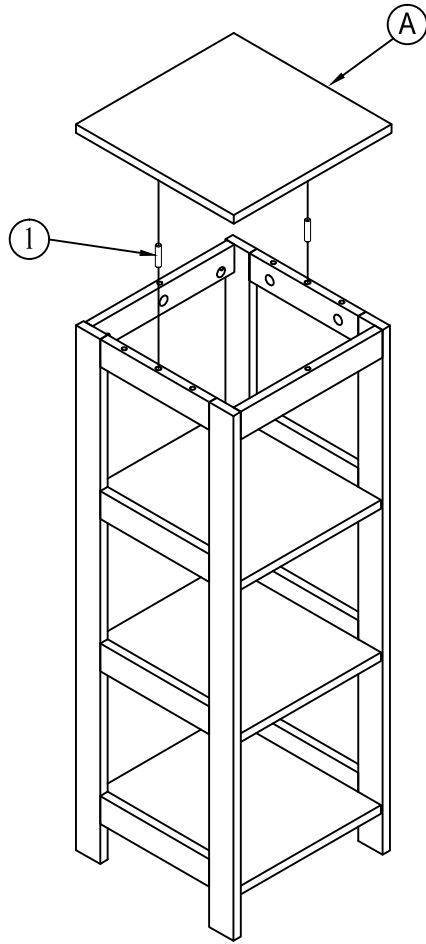


③

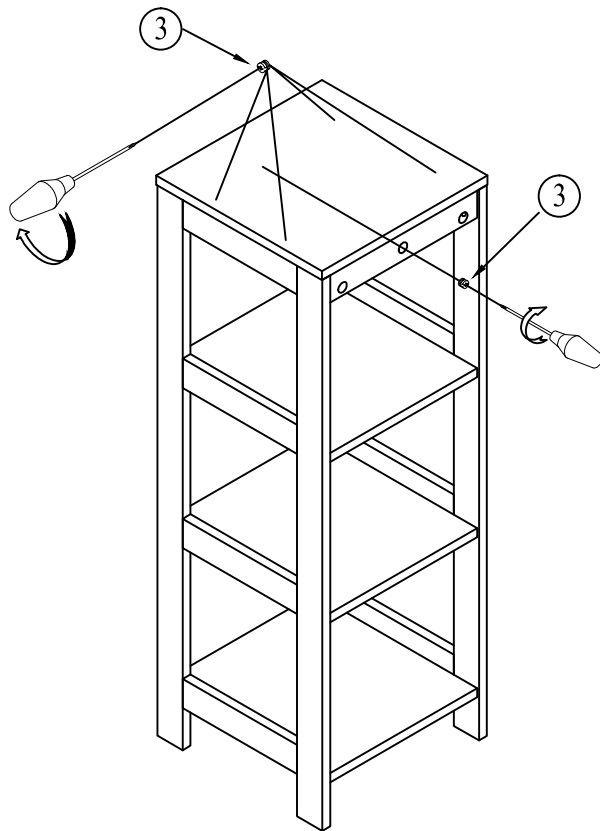
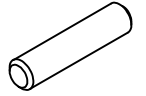
Ø15*9mm
CAMLOCK
8pcs



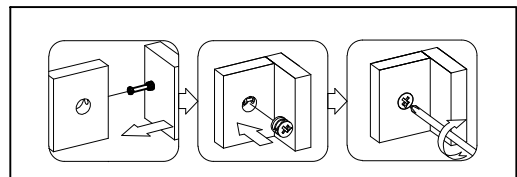
STEP 5



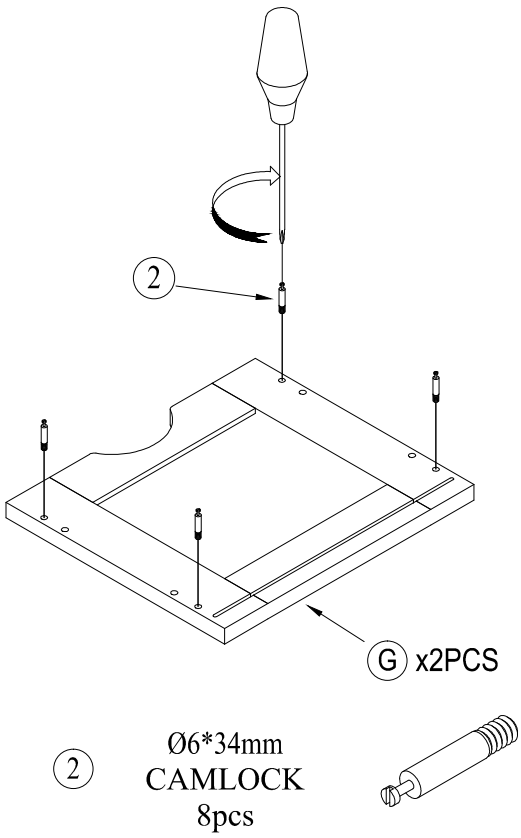
① Ø8*30mm
WOOD DOWELS
2pcs



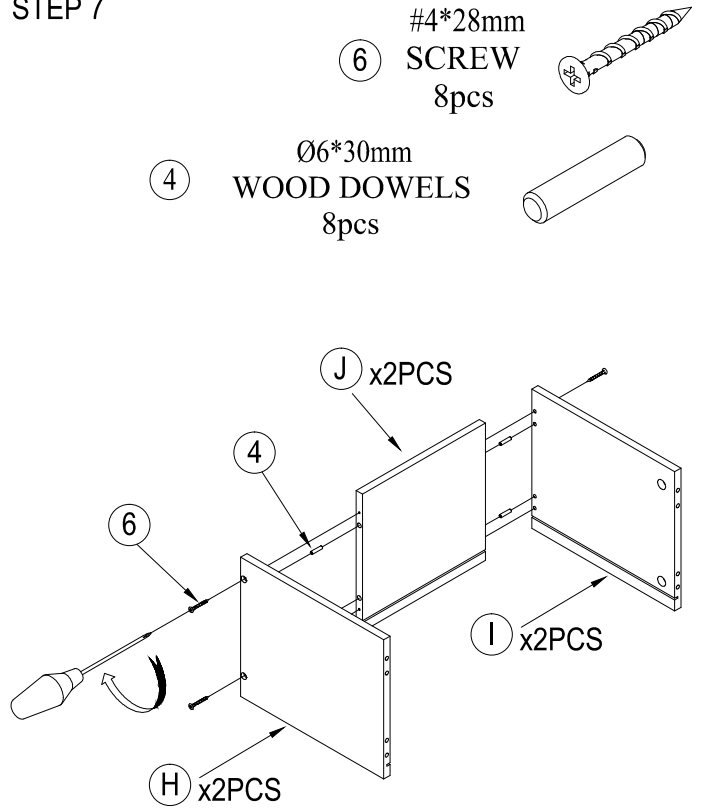
③ Ø15*9mm
CAMLOCK
6pcs



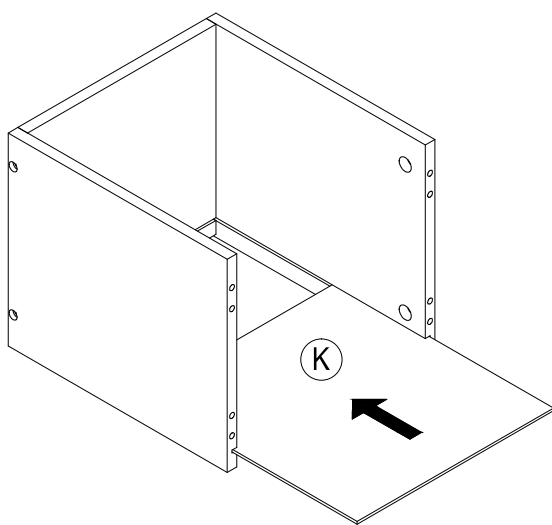
STEP 6



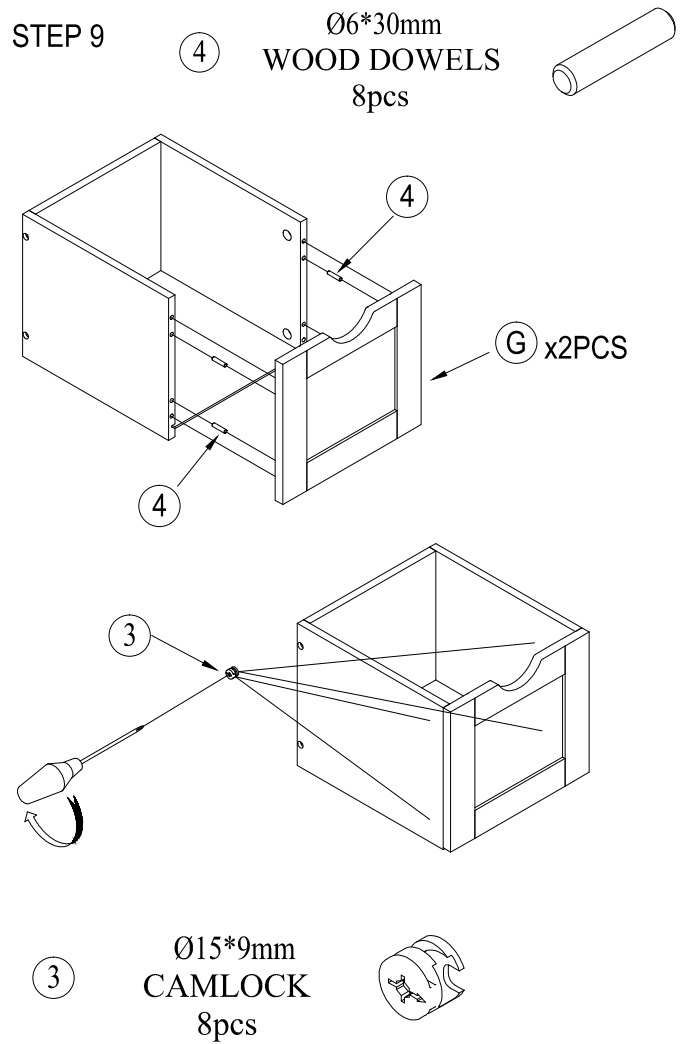
STEP 7




STEP 8

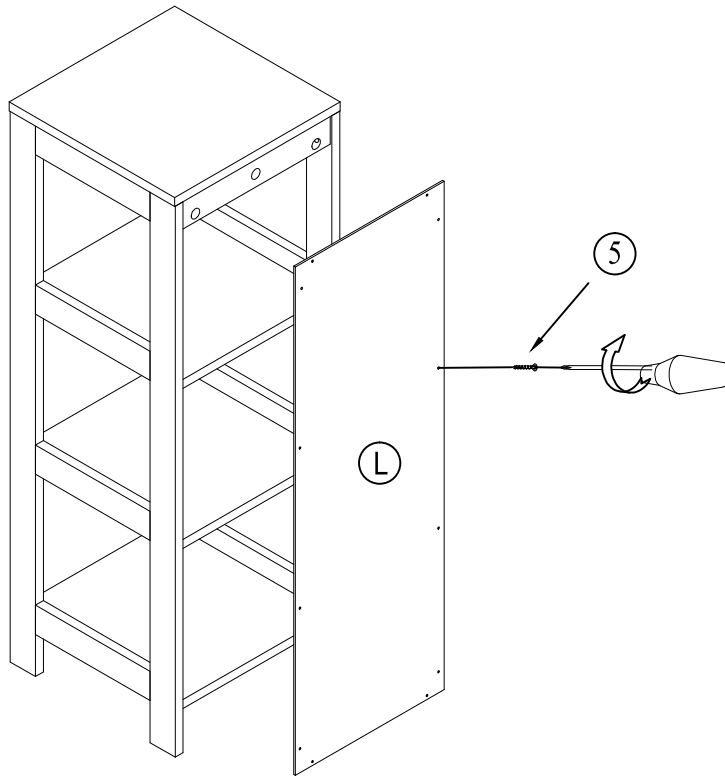


STEP 9

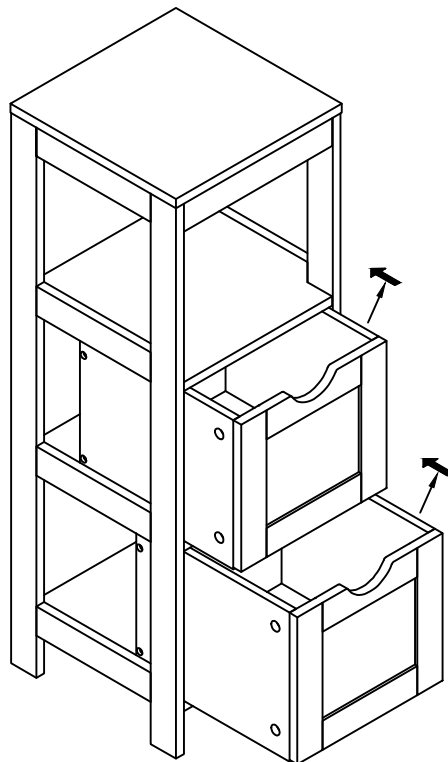


STEP 10

⑤ #3*15
SCREW  12pcs



STEP 11



STEP 12

