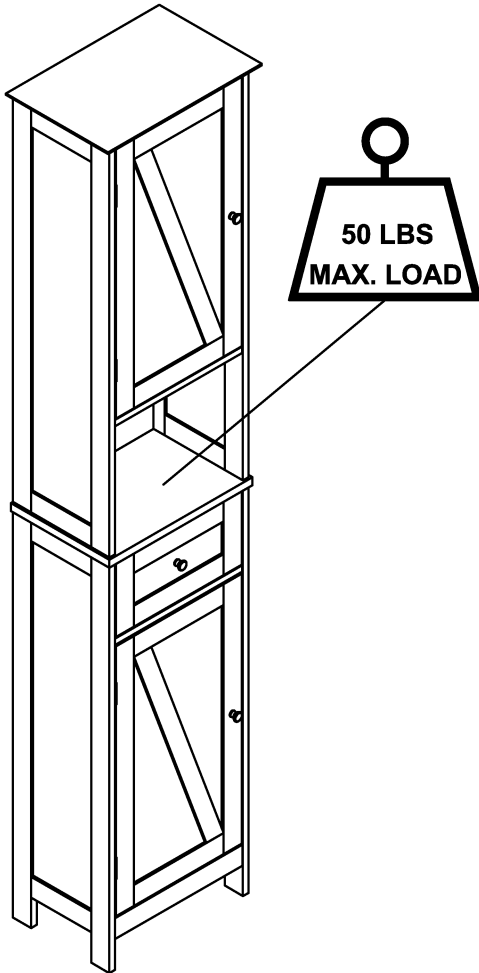


Thank you for your purchase!



## FLOORSTANDING TALL LINEN CABINET WITH DRAWER

### ASSEMBLY INSTRUCTIONS

**Before You Begin:** Phillips screwdriver required for assembly (not included).

Please identify all component parts and hardware pieces required before you begin. Carefully remove all of the components from the packaging and set aside for assembly. Assemble on a soft surface to prevent scratching during assembly.

**Caution:**

Tighten all components securely before use. Failure to do so may result in personal injury. DO NOT use any sharp objects to open plastic wrapped components as damage to product or components may result.

**Warning:**

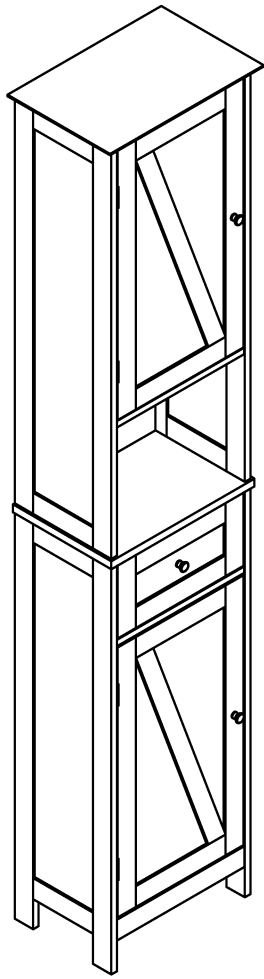
**CHOKING HAZARD** - Small Parts. Adult Assembly Required.

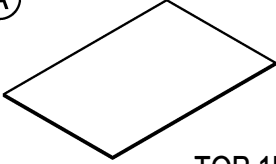
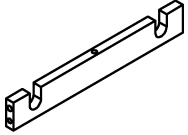


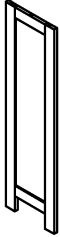
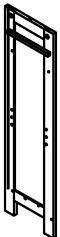
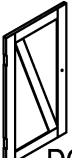
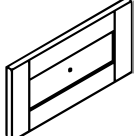
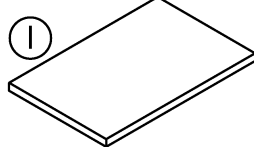
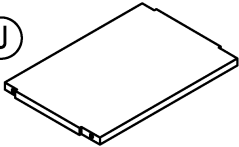
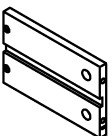
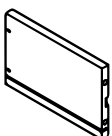
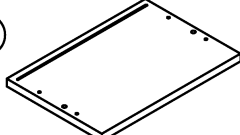
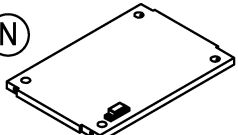
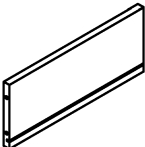
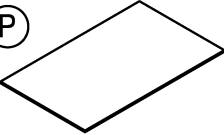
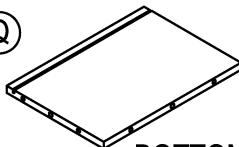
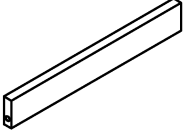


**DO NOT ALLOW CHILDREN TO CLIMB ON FURNITURE**

Serious or fatal injuries can occur from furniture tipping over. You must install Tipping Restraint Hardware (where included) to help prevent the unit from tipping and causing accidental injury, instability, death or damage. The tipping restraint is intended only as a safety measure, it is not a substitute for proper adult supervision.

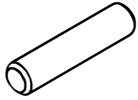
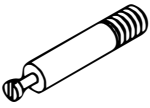

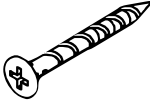
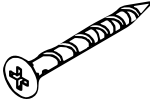
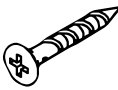

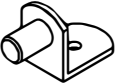
To help prevent furniture from tipping over it must be permanently attached to the wall. Anti-Tip Safety Wall Straps suitable for the unit weight and wall materials (if not included) should be purchased and installed.


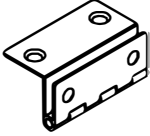



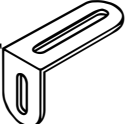
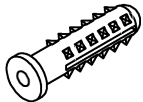
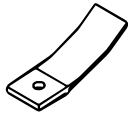
# PARTS LIST



<p>(A)</p>  <p>TOP 1PC</p>	<p>(B)</p>  <p>UPPER REAR BRACE 1PC</p>		
<p>(C)</p>  <p>UPPER LEFT SIDE 1PC</p>	<p>(D)</p>  <p>UPPER RIGHT SIDE 1PC</p>		
<p>(E)</p>  <p>LOWER LEFT SIDE 1PC</p>	<p>(F)</p>  <p>LOWER RIGHT SIDE 1PC</p>		
<p>(G)</p>  <p>DOOR 2PCS</p>	<p>(H)</p>  <p>DRAWER FRONT 1PC</p>	<p>(I)</p>  <p>ADJUSTABLE SHELF 2PCS</p>	<p>(J)</p>  <p>UPPER CABINET SHELF 1PC</p>
<p>(K)</p>  <p>LEFT DRAWER PANEL 1PC</p>	<p>(L)</p>  <p>RIGHT DRAWER PANEL 1PC</p>	<p>(M)</p>  <p>FIXED SHELF 1PCS</p>	<p>(N)</p>  <p>LOWER CABINET SHELF 1PC</p>
<p>(O)</p>  <p>DRAWER BACK 1PC</p>	<p>(P)</p>  <p>DRAWER BOTTOM 1PC</p>	<p>(Q)</p>  <p>BOTTOM 1PC</p>	<p>(R)</p>  <p>BOTTOM RAIL 1PC</p>
<p>(S)</p>  <p>UPPER BACK PANEL 1PC</p>	<p>(T)</p>  <p>LOWER BACK PANEL 1PC</p>		

# HARDWARE LIST

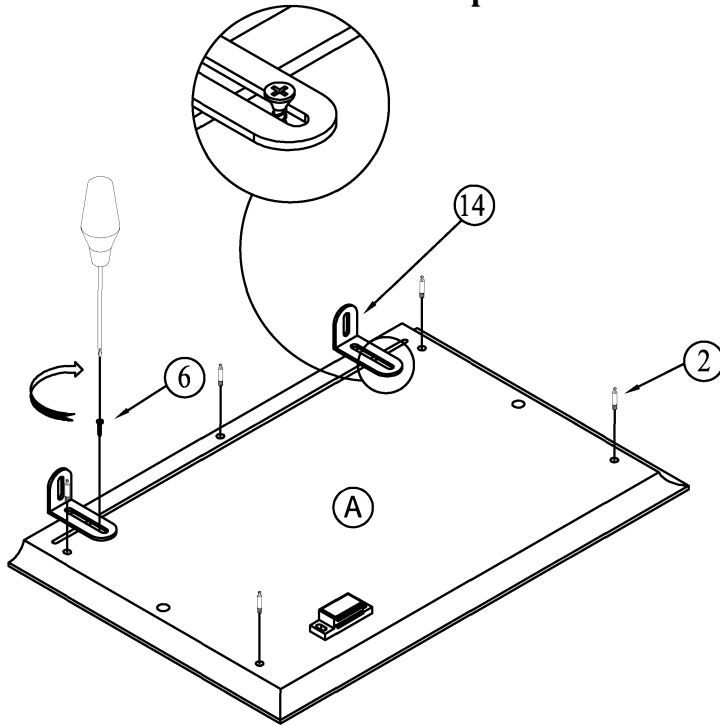
ITEM	DESCRIPTION	QTY
①	Ø8*30mm WOOD DOWELS 	11 pcs
②	Ø6*34mm CAMLOCK 	31 pcs
③	Ø15*9mm CAMLOCK 	31 pcs
④	#4*40mm SCREW 	6 pcs
⑤	#4*28mm SCREW 	4 pcs
⑥	#4*15mm SCREW 	3 pcs
⑦	#3.5*15mm SCREW 	20 pcs
⑧	20x18x14mm SHELF PIN 	8 pcs

ITEM	DESCRIPTION	QTY
⑨	#3.5*12 SCREW 	8 pcs
⑩	HINGE 	4 pcs
⑪	HANDLE 	3 pcs
⑫	5/32"*12mm BOLT 	1 pcs
⑬	5/32"*19mm BOLT 	2 pcs
⑭	METAL BRACKET 	2 pcs
⑮	WALL ANCHOR 	2 pcs
⑯	DRAWER STOP 	1 pc

# INSTALLATION

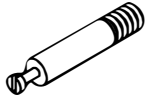
## STEP 1

**NOTE: Do not completely tighten screws on part 14.**



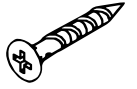
②

Ø6\*34mm  
CAMLOCK  
5pcs



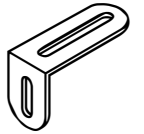
⑥

#4\*15mm  
SCREW  
2pcs

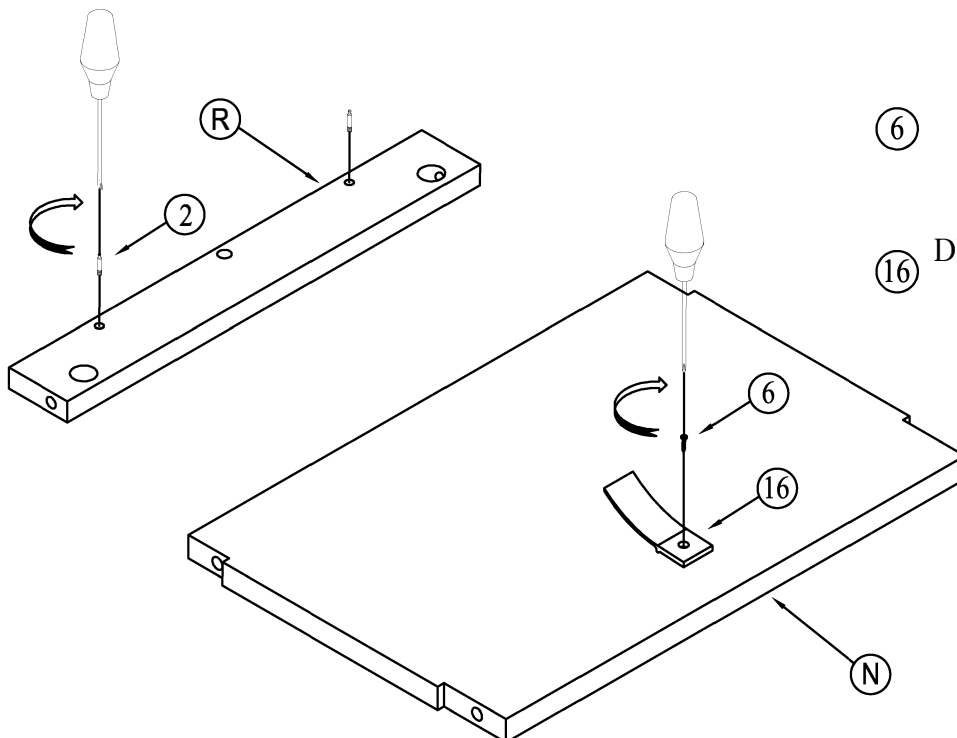


⑭

METAL  
BRACKET  
2pcs

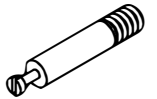


## STEP 2



②

Ø6\*34mm  
CAMLOCK  
2pcs



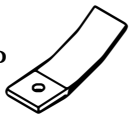
⑥

#4\*15mm  
SCREW  
1pc

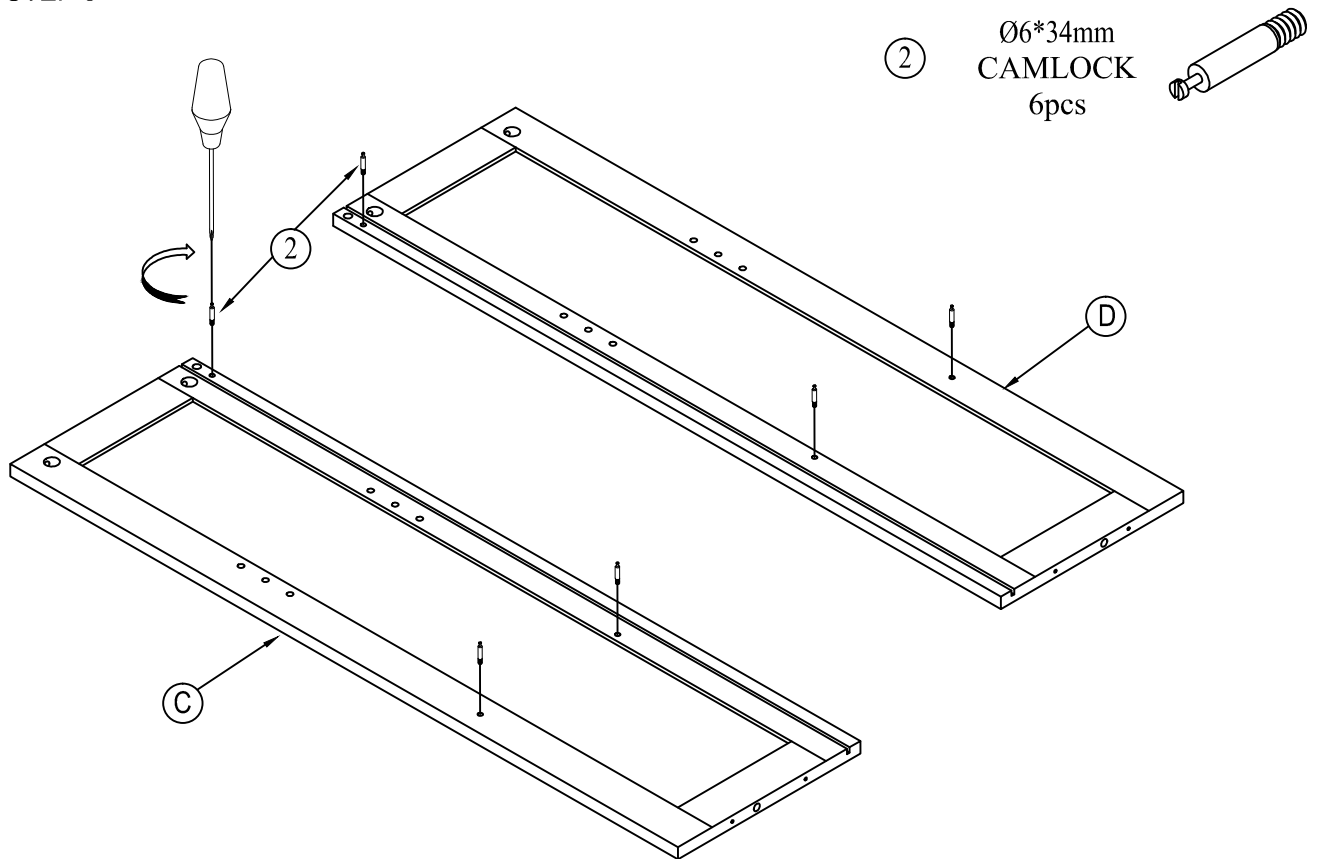


⑯

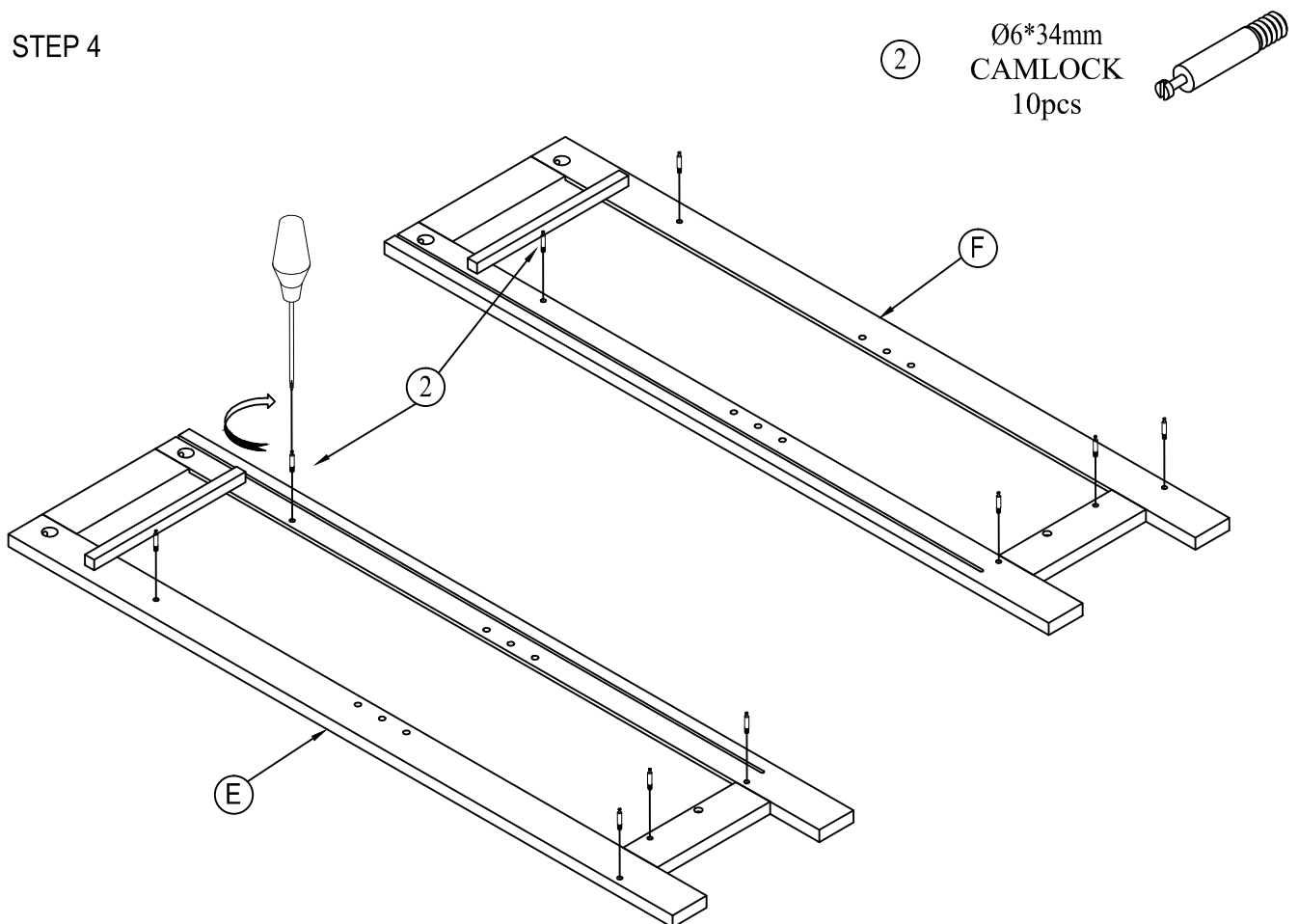
DRAWER STOP  
1pc



STEP 3

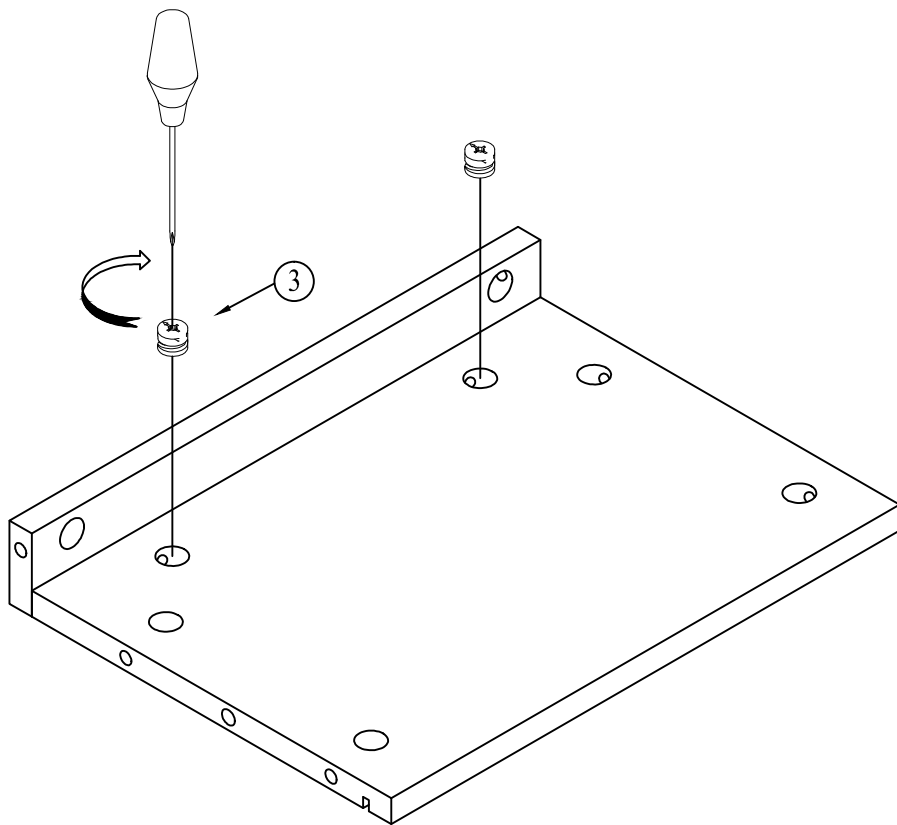
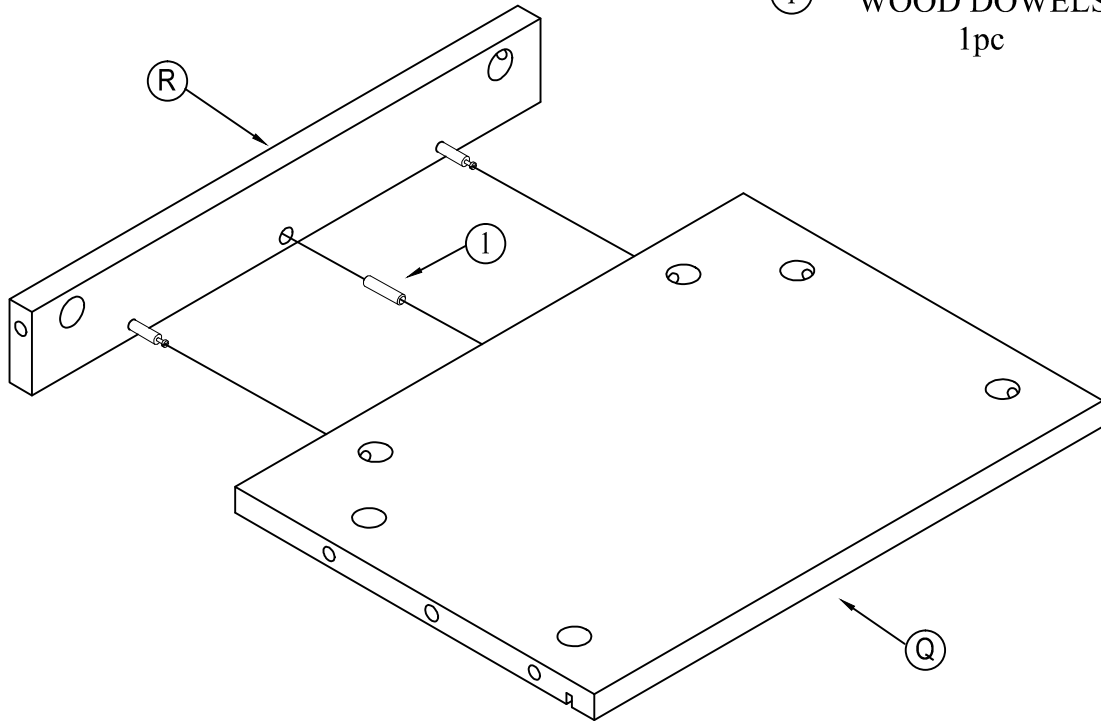
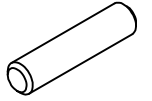


STEP 4

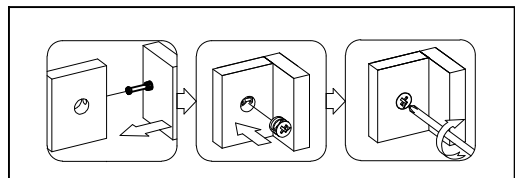


STEP 5

① Ø8\*30mm  
WOOD DOWELS  
1pc

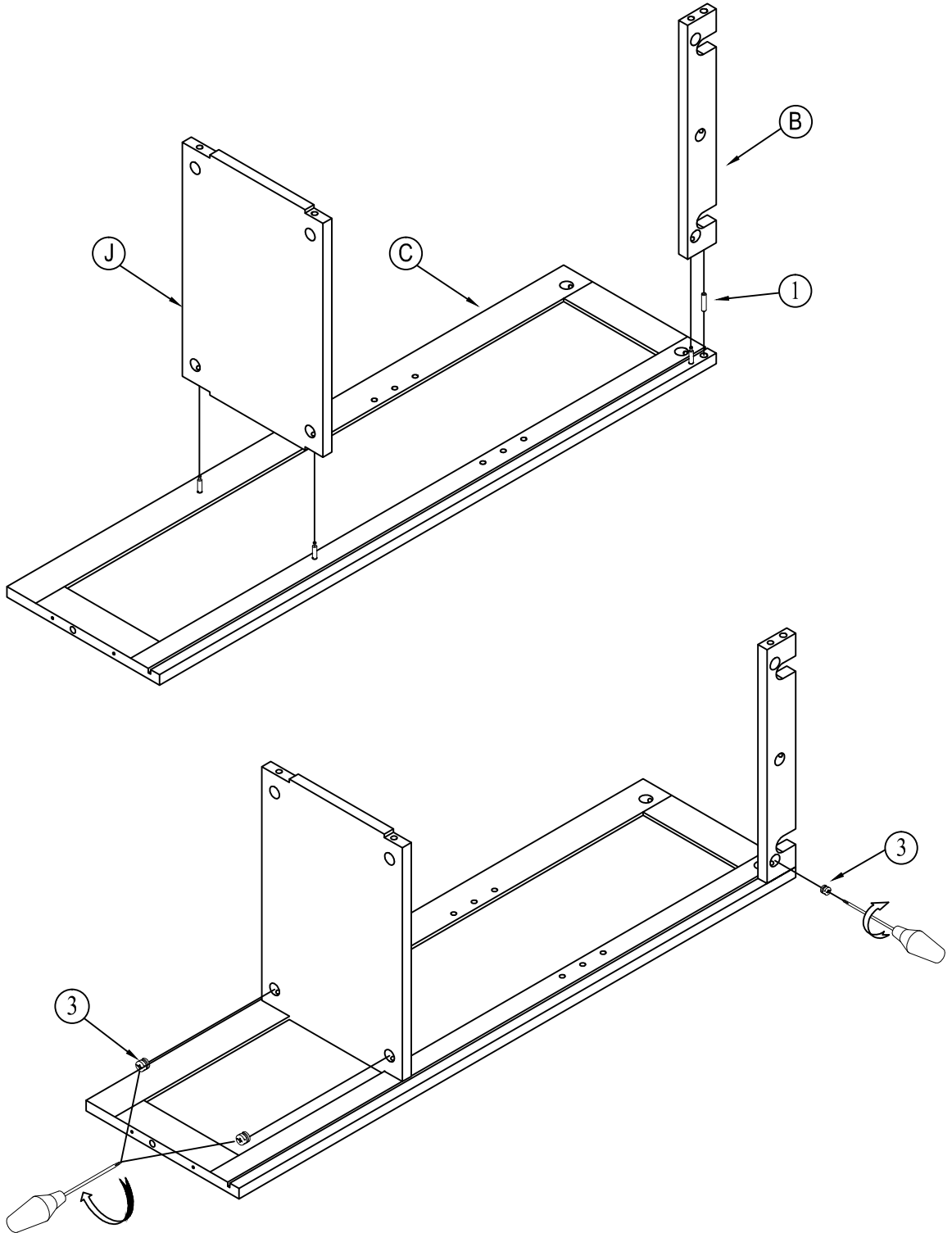
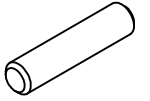


③ Ø15\*9mm  
CAMLOCK  
2pcs

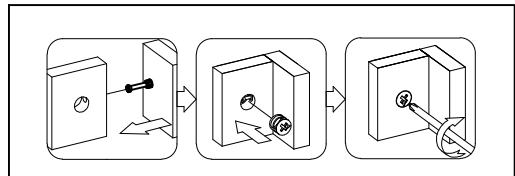


STEP 6

① Ø8\*30mm  
WOOD DOWELS  
1pc



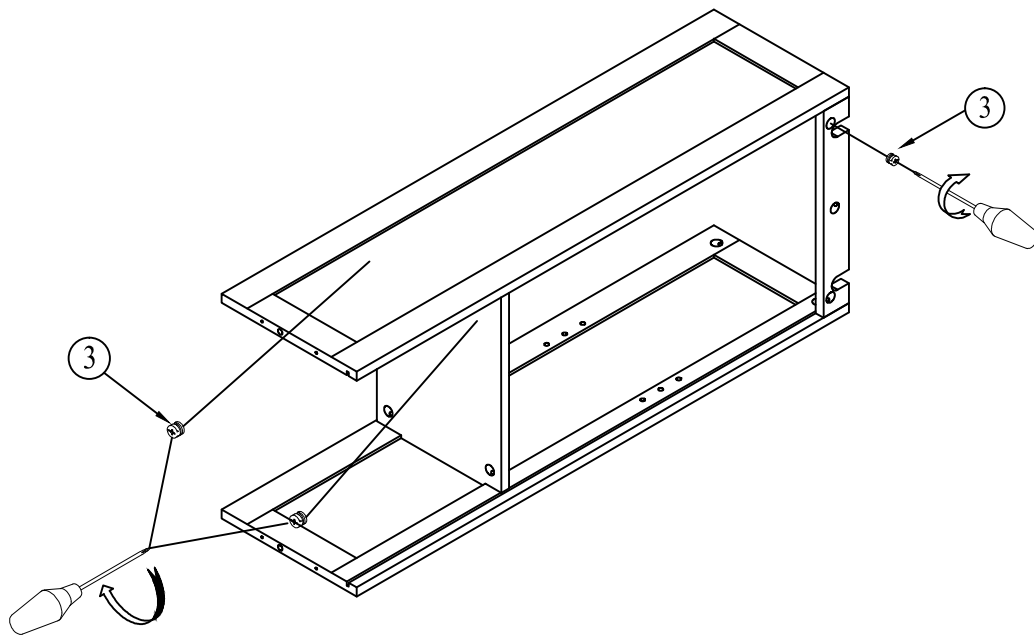
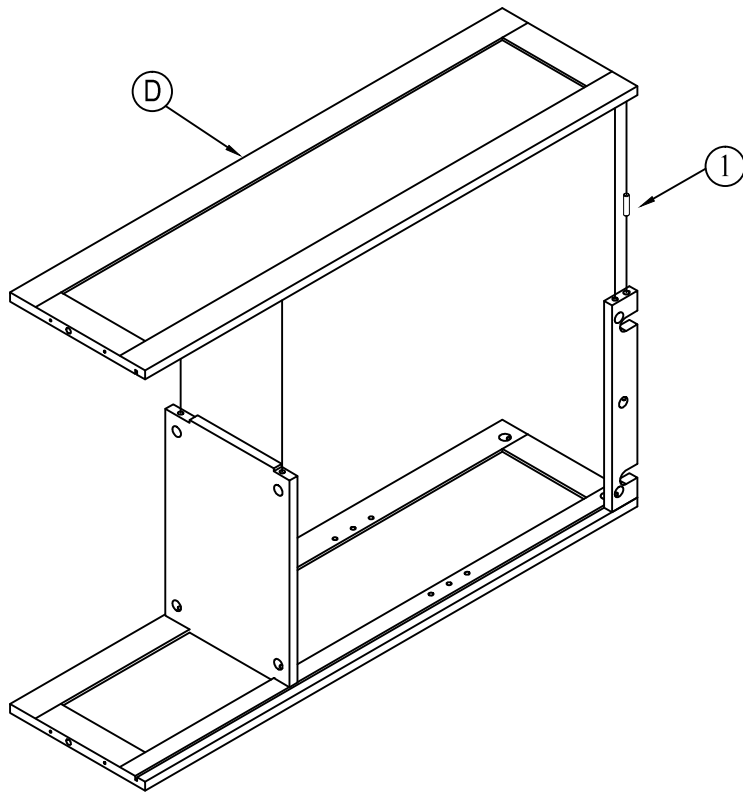
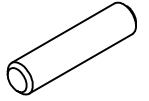
③ Ø15\*9mm  
CAMLOCK  
3pcs



STEP 7

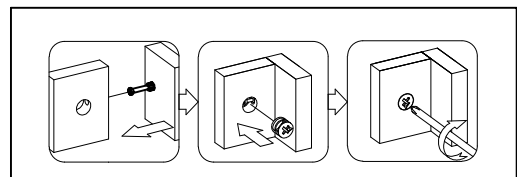
①

Ø8\*30mm  
WOOD DOWELS  
1pc



③

Ø15\*9mm  
CAMLOCK  
3pcs

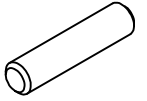




STEP 8

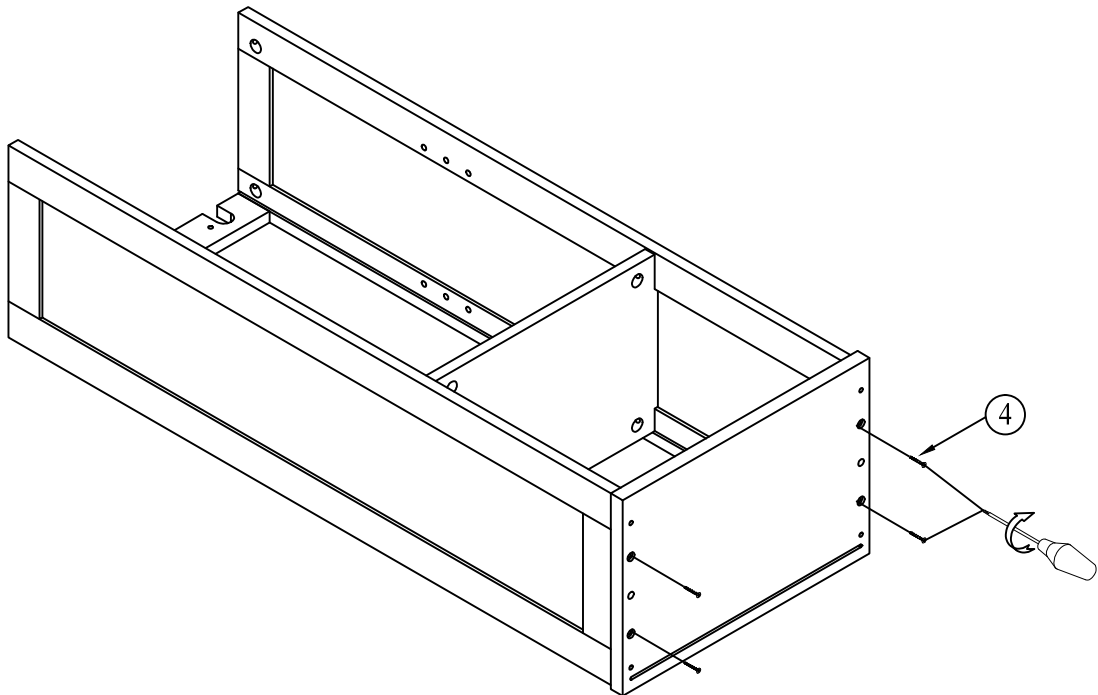
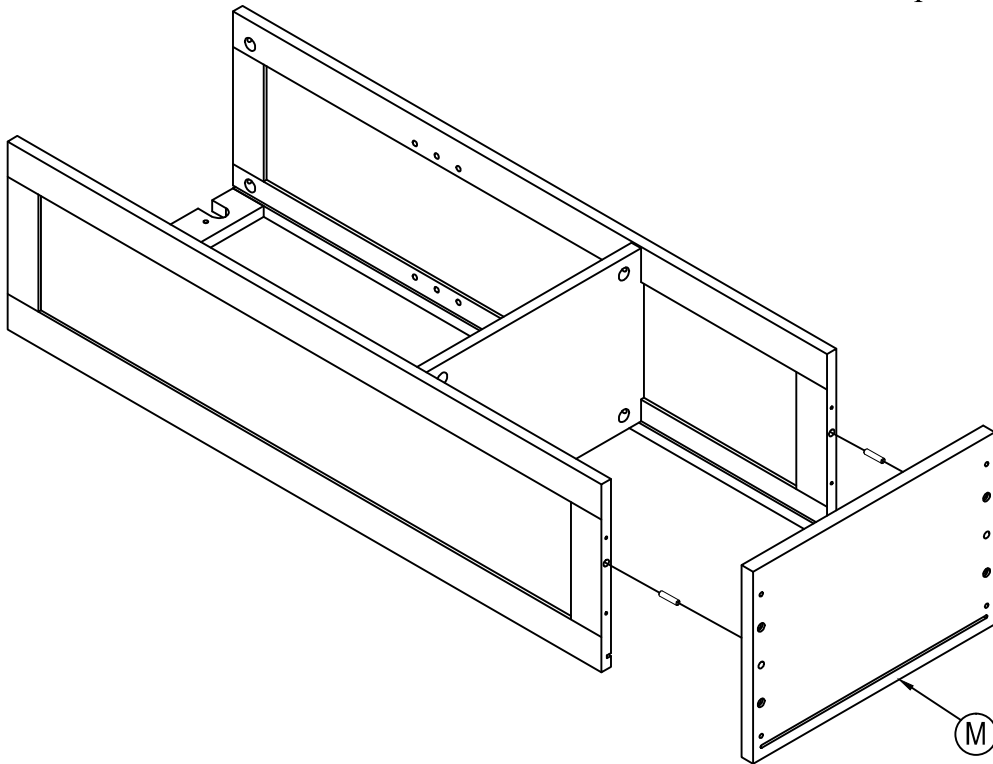
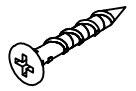
①

Ø8\*30mm  
WOOD DOWELS  
2pcs



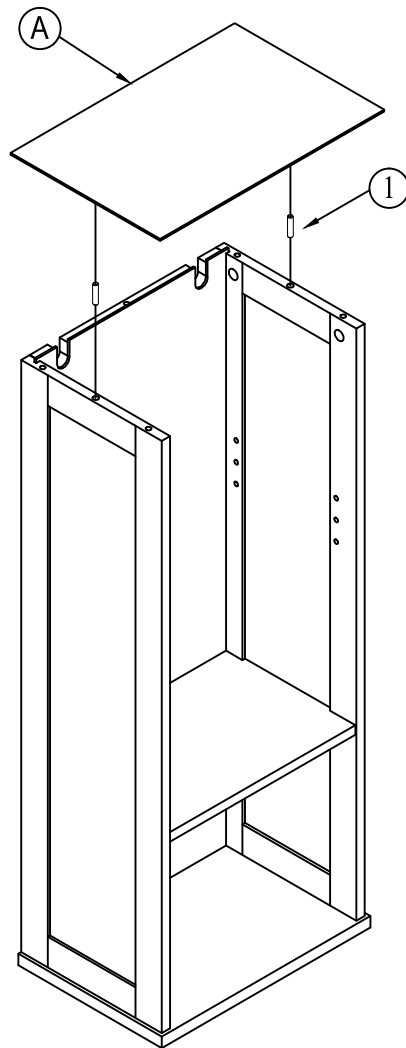
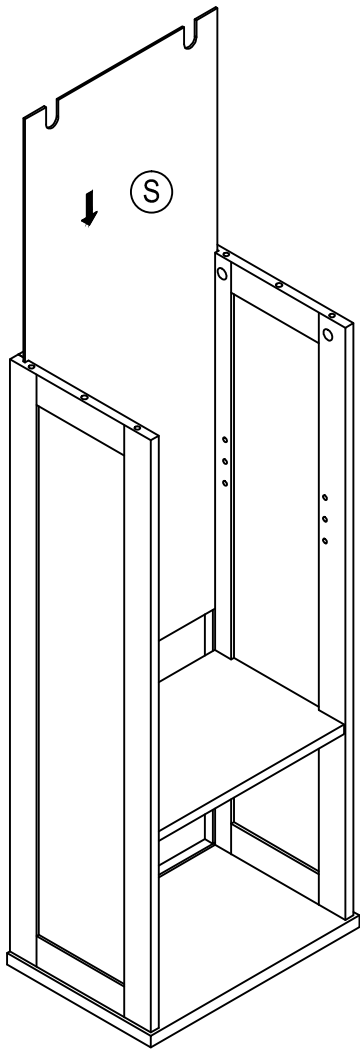
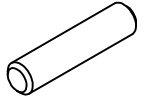
④

#4\*40mm  
SCREW  
4pcs

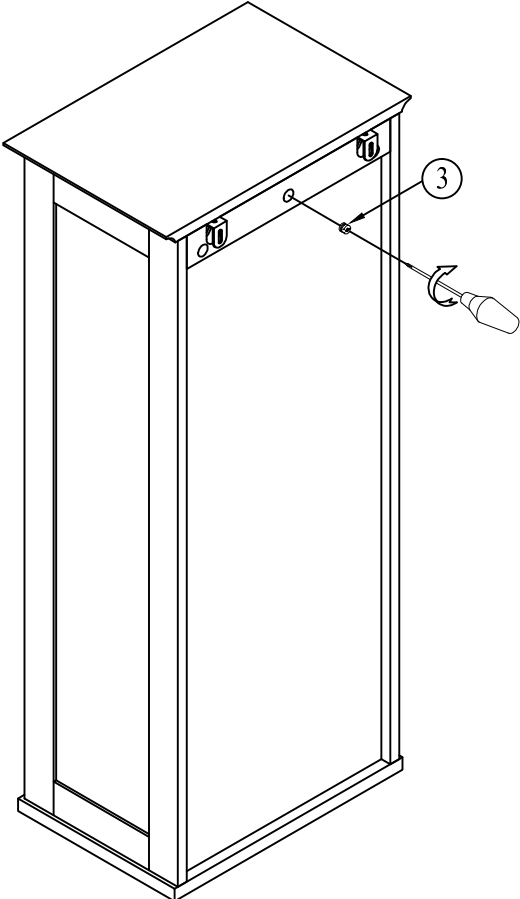
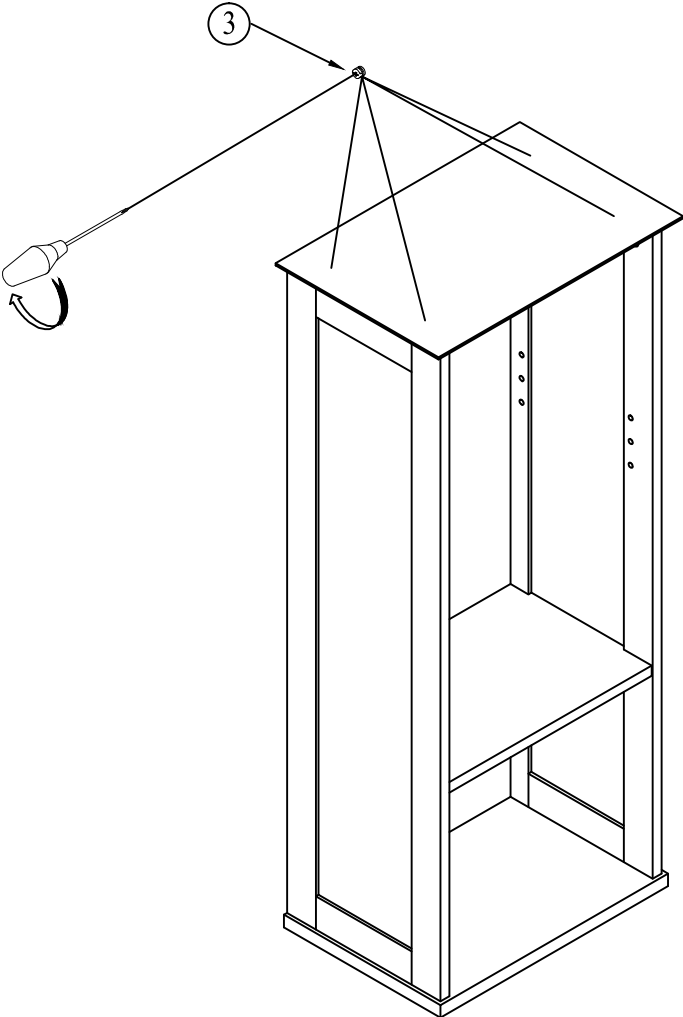


STEP 9

① Ø8\*30mm  
WOOD DOWELS  
2pcs

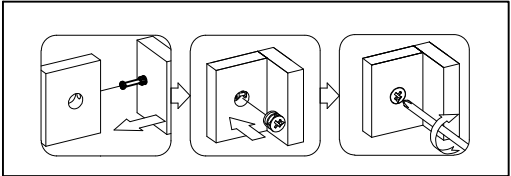


STEP 10



③

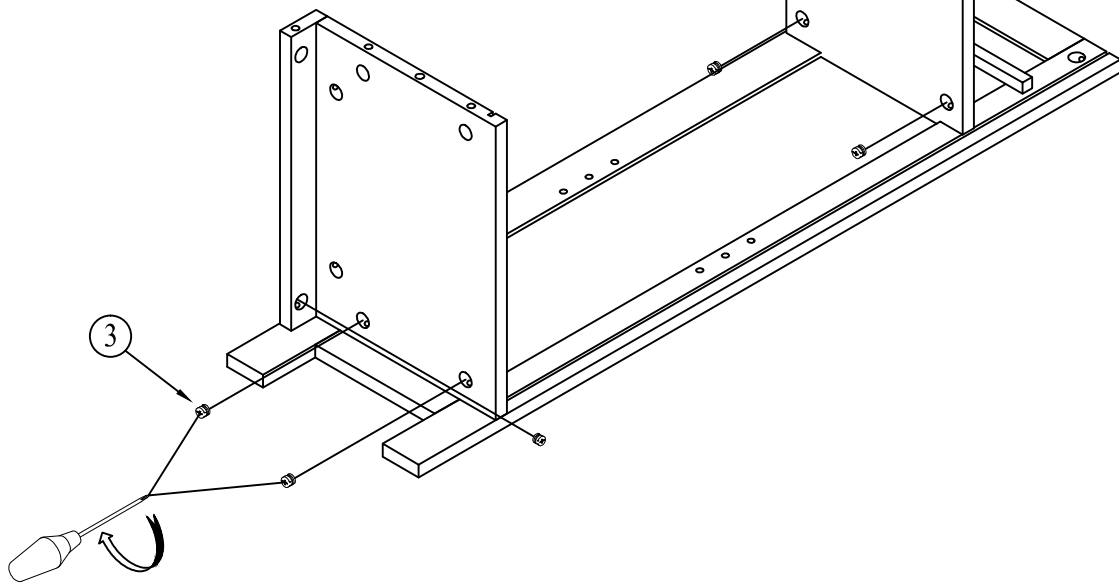
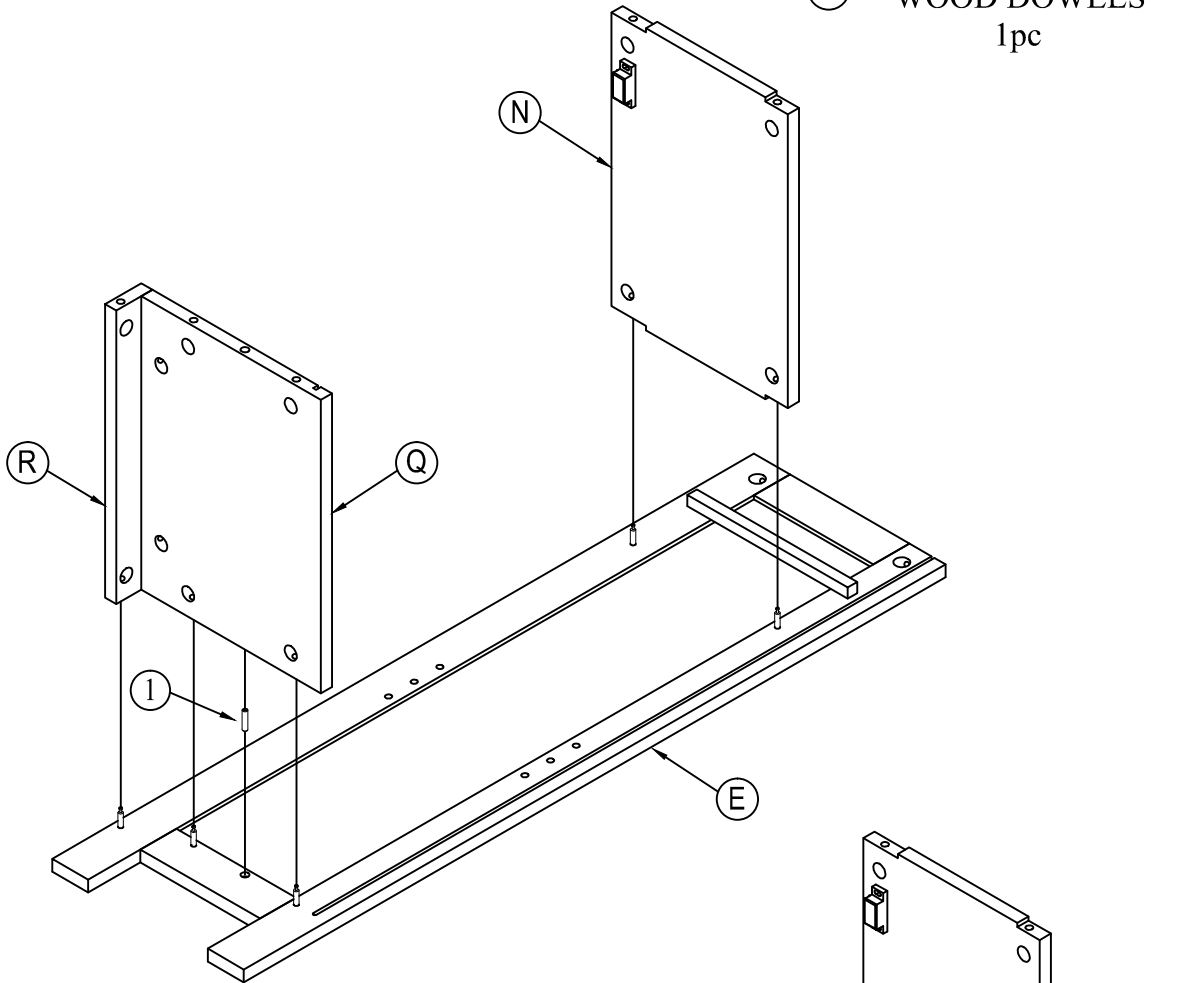
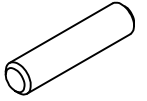
Ø15\*9mm  
CAMLOCK  
5pcs



STEP 11

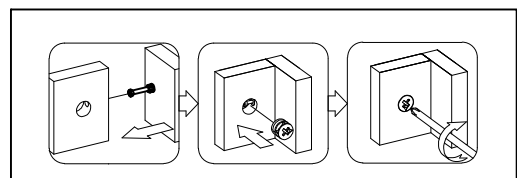
①

Ø8\*30mm  
WOOD DOWELS  
1pc



③

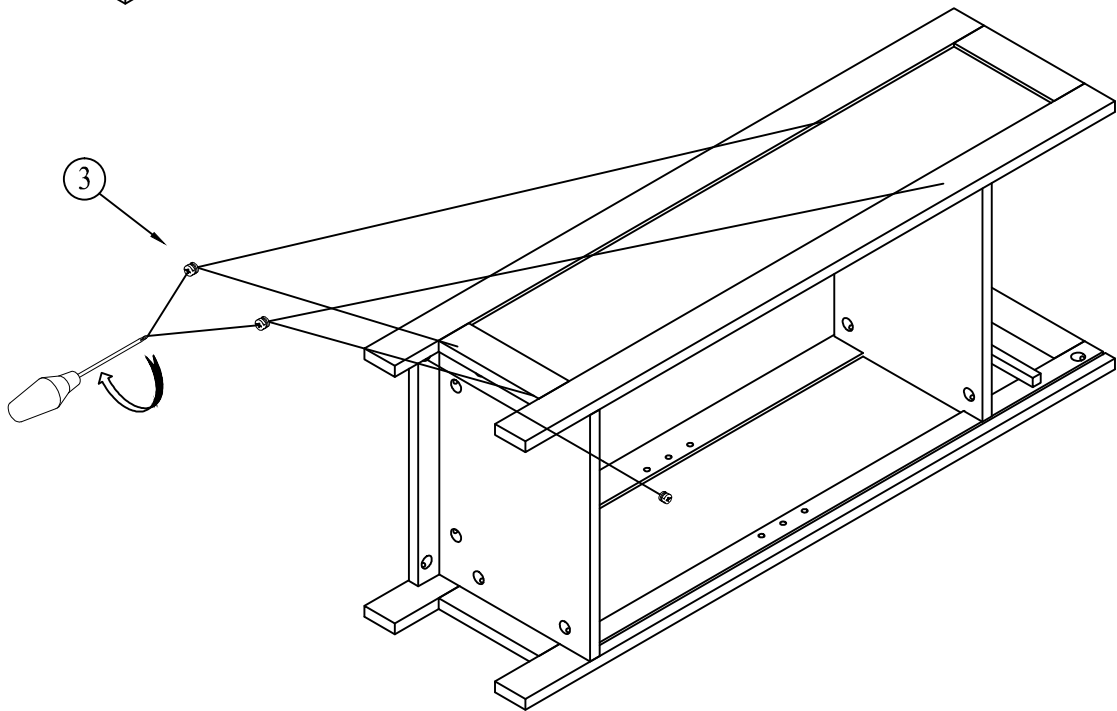
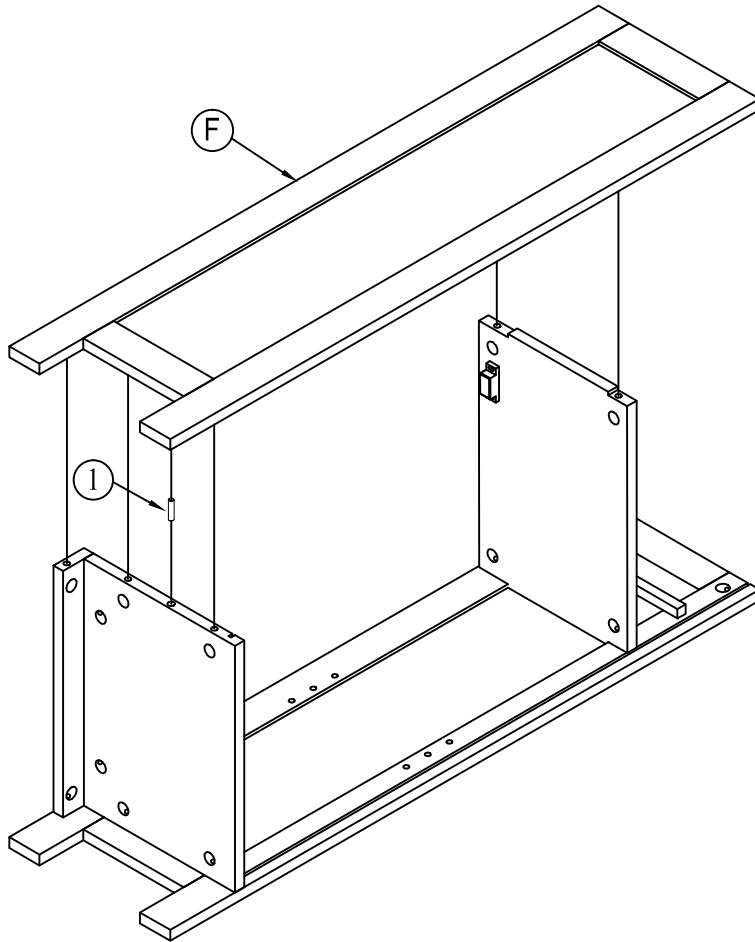
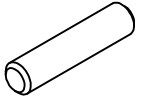
Ø15\*9mm  
CAMLOCK  
5pcs



STEP 12

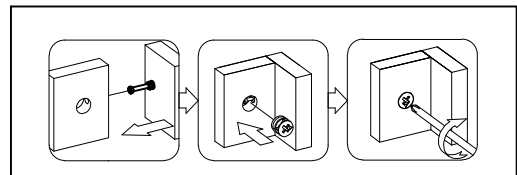
①

Ø8\*30mm  
WOOD DOWELS  
1pc



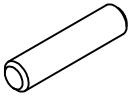
③

Ø15\*9mm  
CAMLOCK  
5pcs

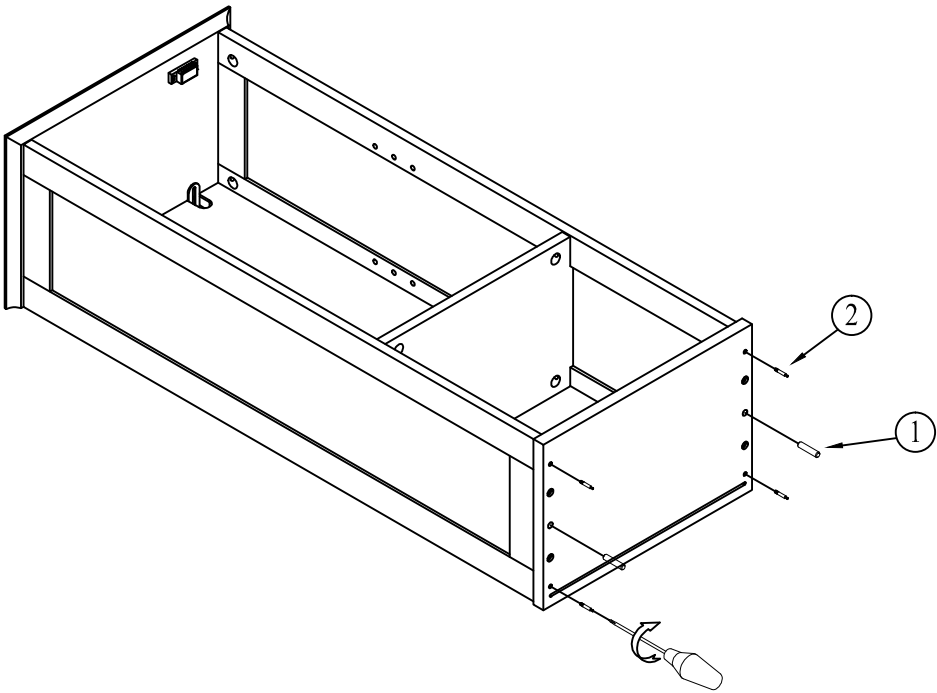
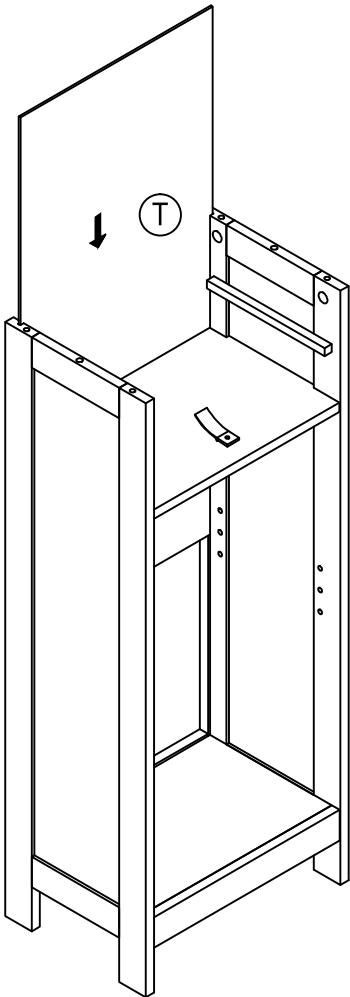
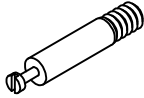


STEP 13

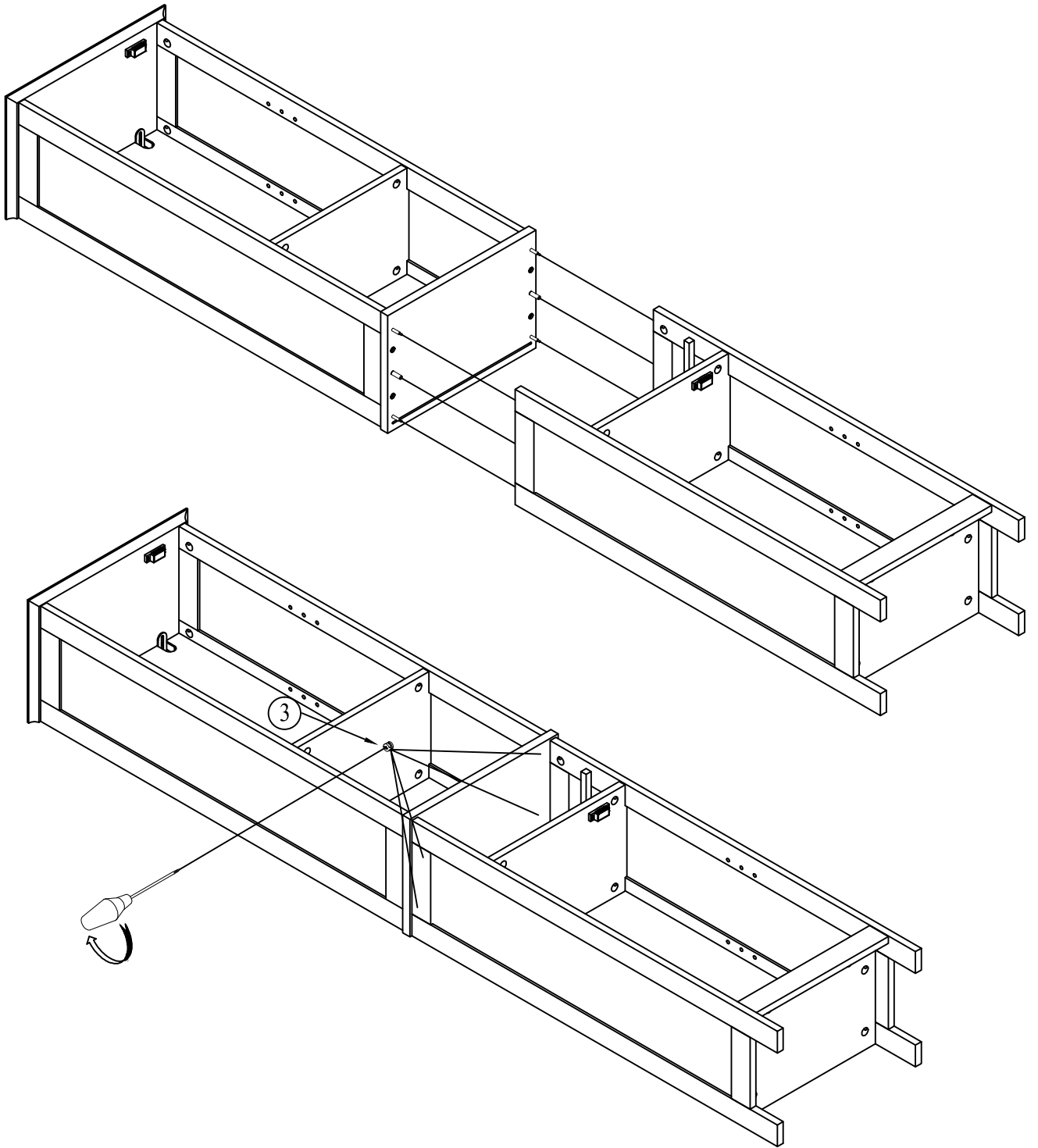
① Ø8\*30mm  
WOOD DOWELS  
2pcs



② Ø6\*34mm  
CAMLOCK  
4pcs

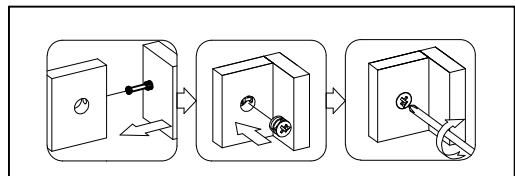


STEP 14

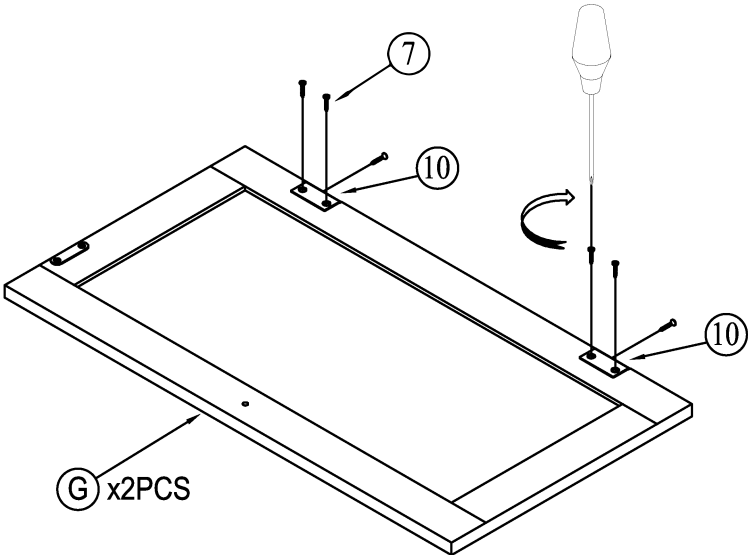


③

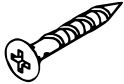
Ø15\*9mm  
CAMLOCK  
4pcs



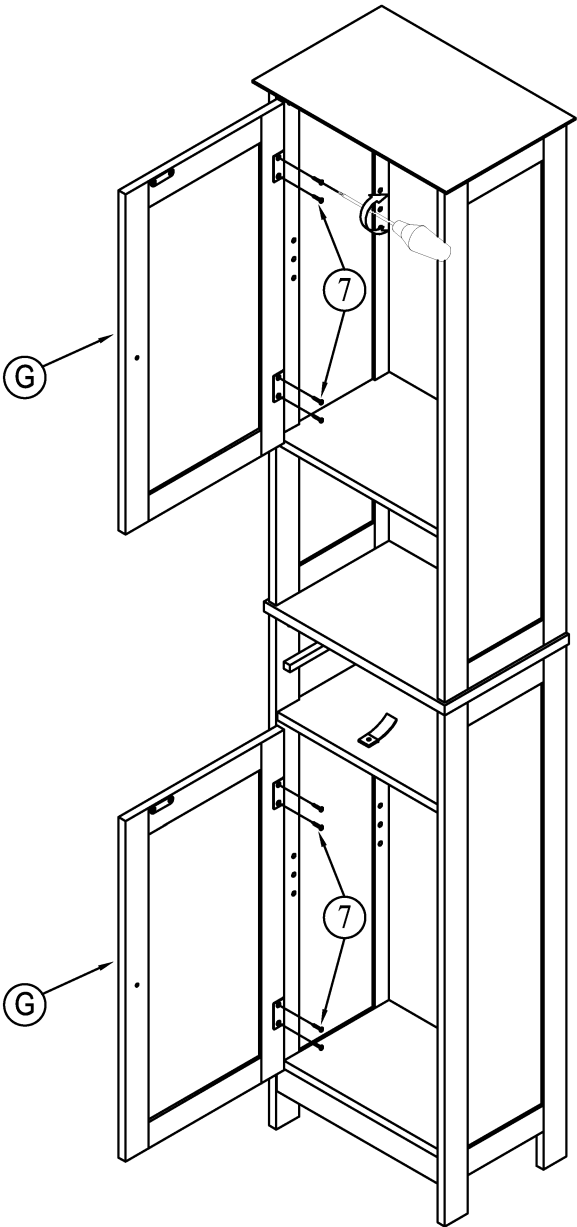
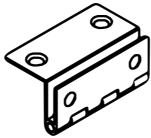
STEP 15



⑦ #3.5\*15mm  
SCREW  
20pcs

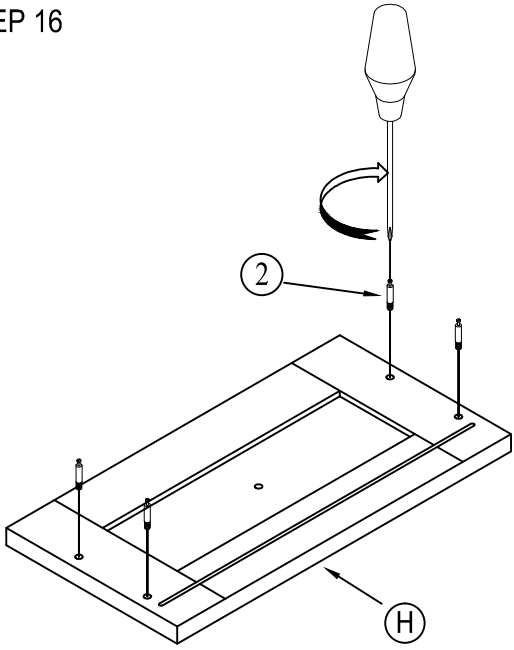


⑩ HINGE  
4pcs

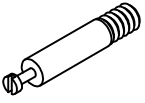




STEP 16

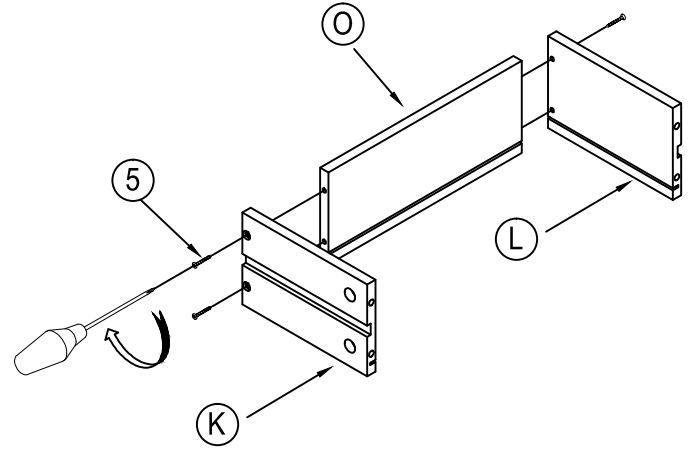


② Ø6\*34mm  
CAMLOCK  
4pcs

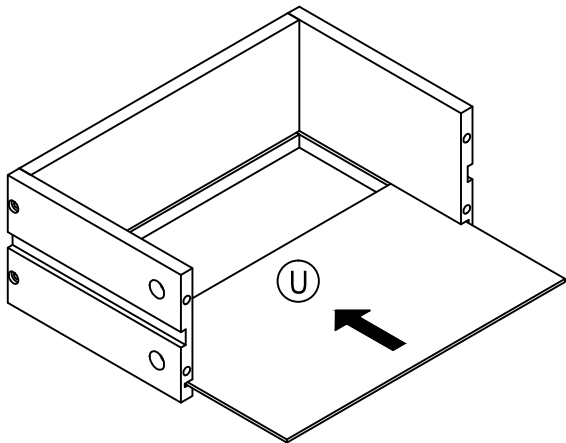


STEP 17

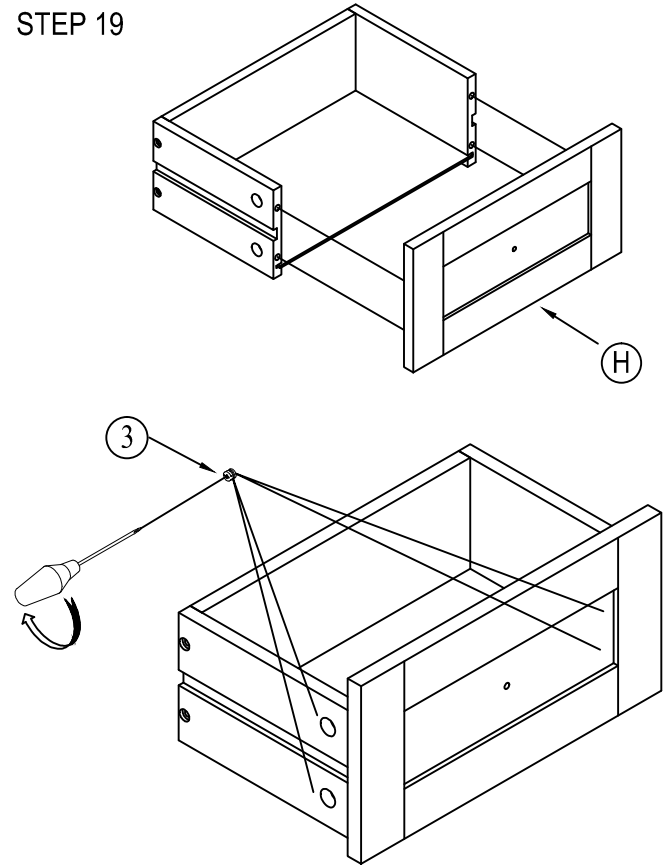
⑤ #4\*28mm  
SCREW  
4pcs



STEP 18



STEP 19

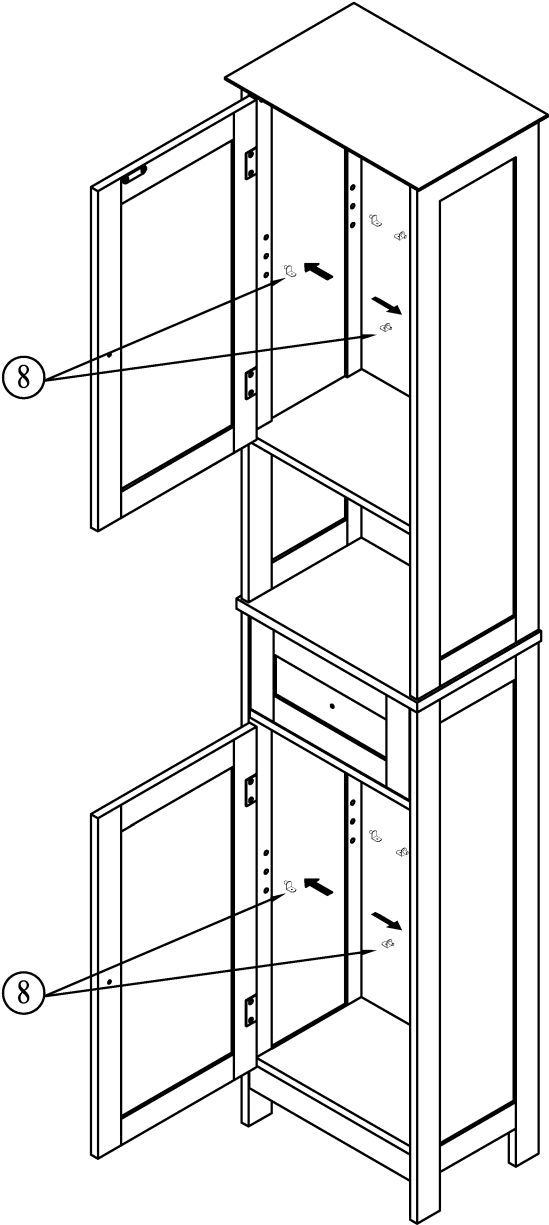
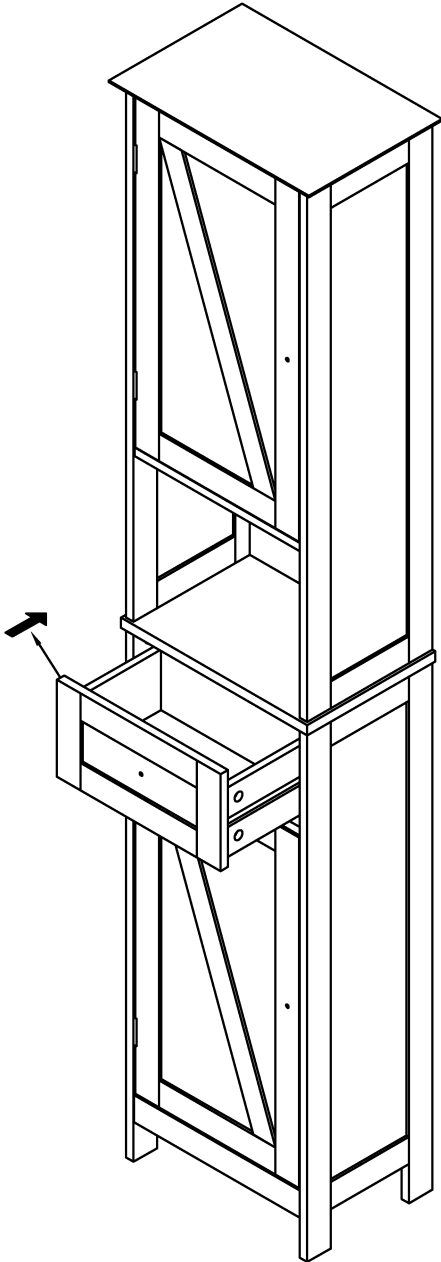
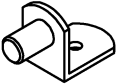


③ Ø15\*9mm  
CAMLOCK  
4pcs

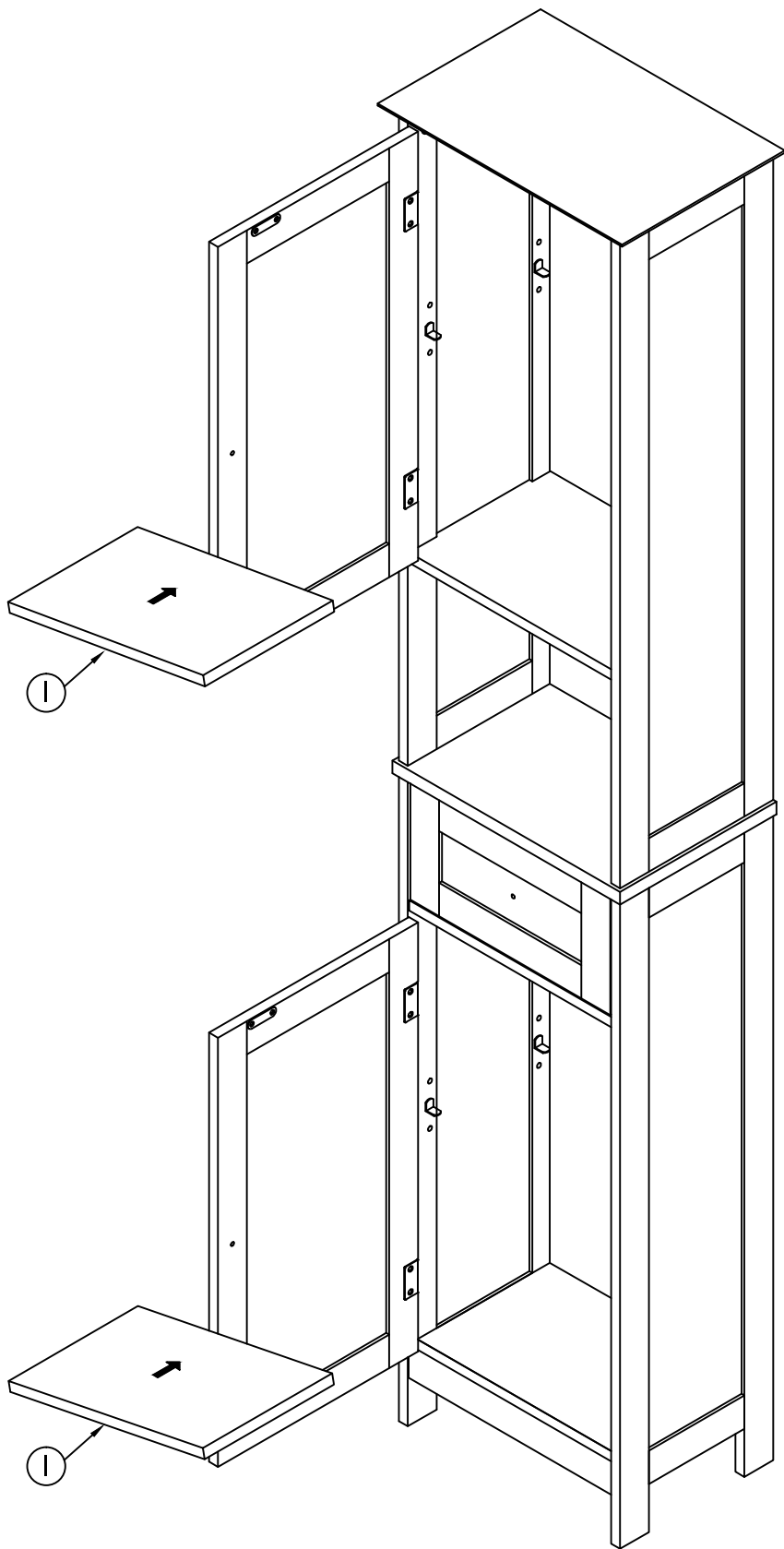


STEP 20

⑧ 20x18x14mm  
SHELF PIN  
8pcs



STEP 21



STEP 22

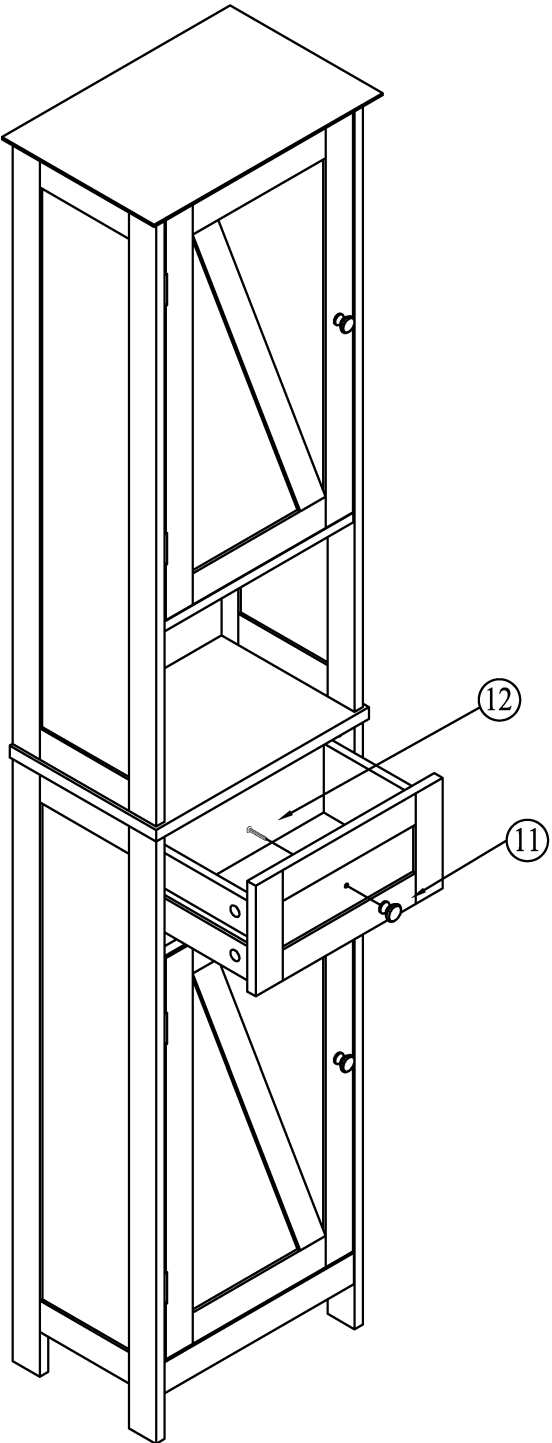
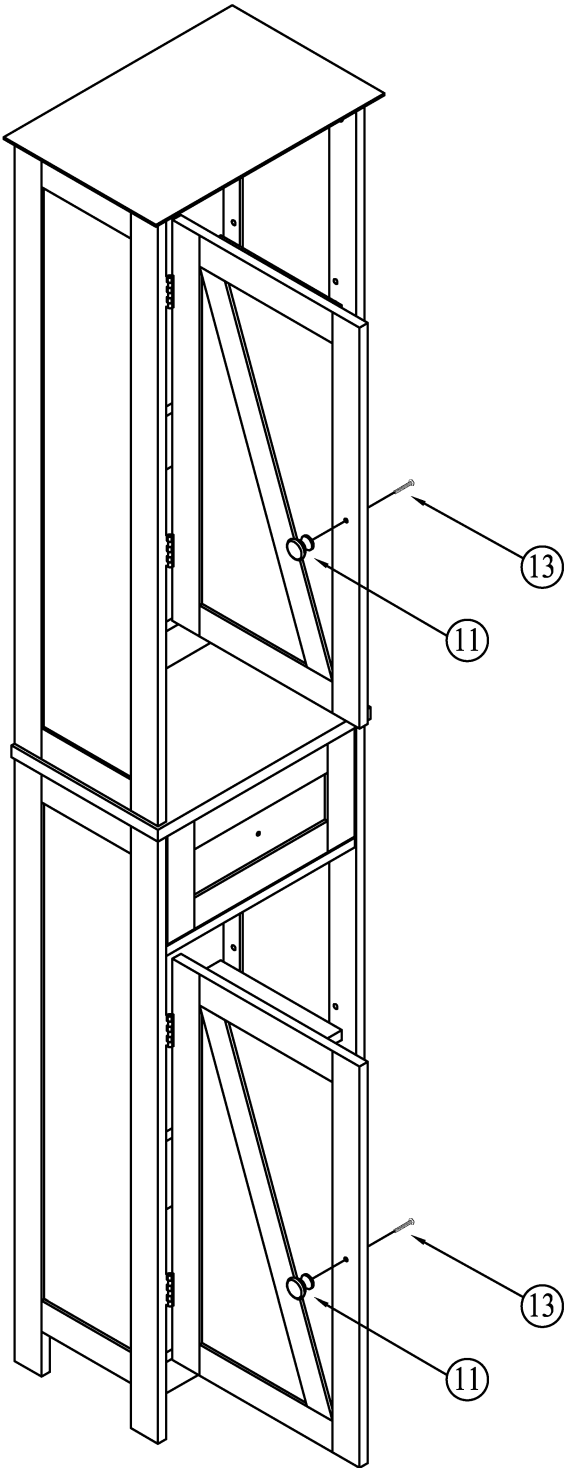
⑪ HANDLE  
3pcs



⑫ 5/32"\*12mm  
BOLT  
1pc



⑬ 5/32"\*19mm  
BOLT  
2pcs



STEP 23

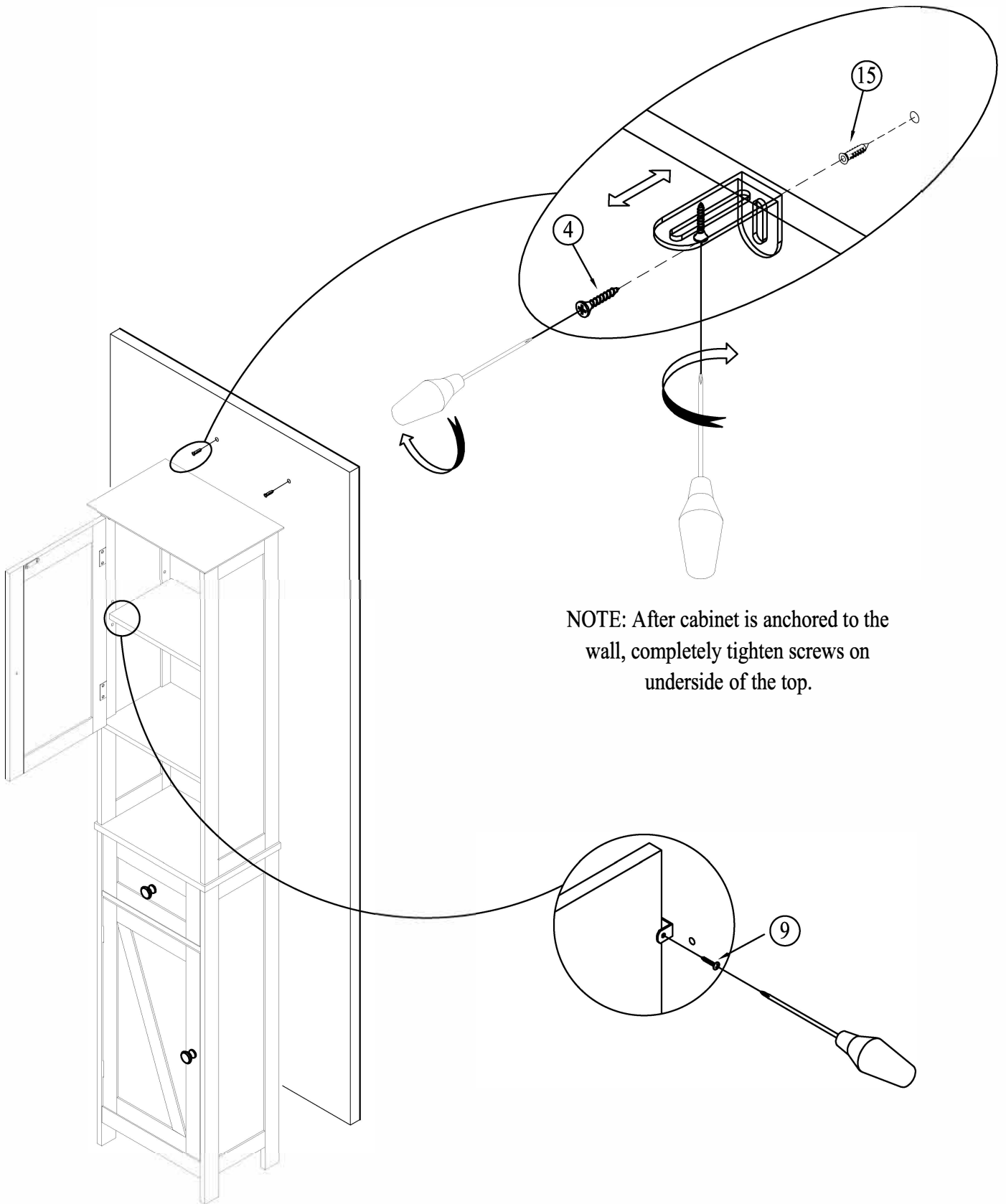
⑨ #3.5\*12  
SCREW  
4pcs



④ #4\*40mm  
SCREW  
2pcs



⑮ WALL  
ANCHOR  
2pcs



NOTE: After cabinet is anchored to the wall, completely tighten screws on underside of the top.