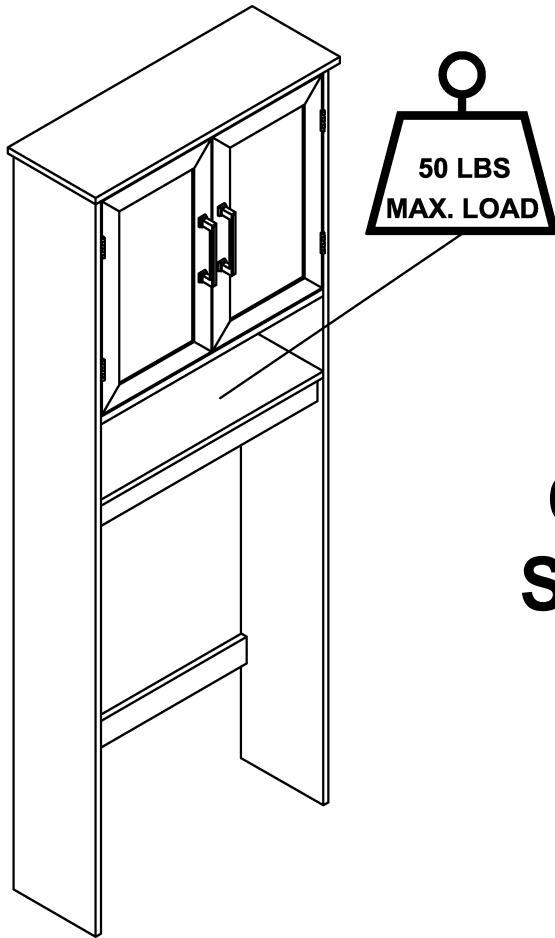


Thank you for your purchase!



OVER THE TOILET STORAGE CABINET

ASSEMBLY INSTRUCTIONS

Before You Begin: Phillips screwdriver required for assembly (not included).

Please identify all component parts and hardware pieces required before you begin. Carefully remove all of the components from the packaging and set aside for assembly. Assemble on a soft surface to prevent scratching during assembly.

Caution:

Tighten all components securely before use. Failure to do so may result in personal injury. DO NOT use any sharp objects to open plastic wrapped components as damage to product or components may result.

Warning:

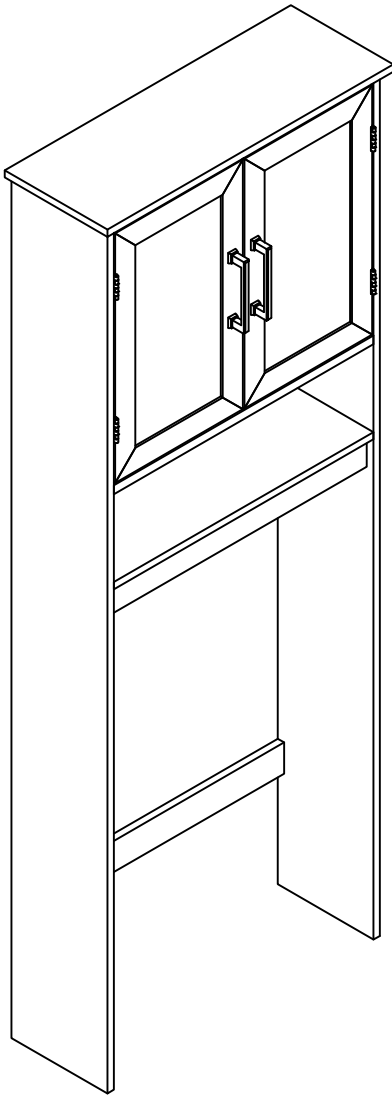
CHOKING HAZARD - Small Parts. Adult Assembly Required.

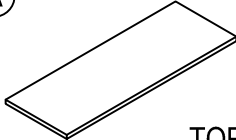
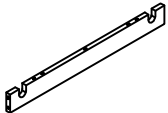
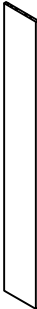
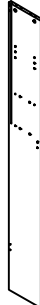
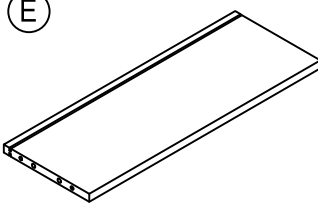
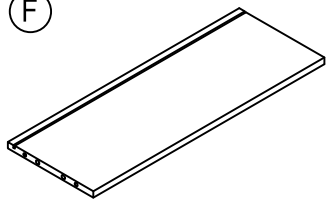
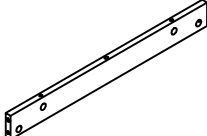
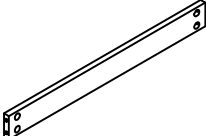
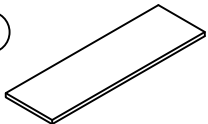
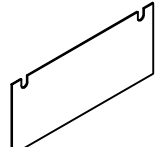
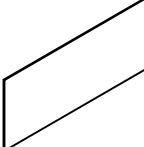
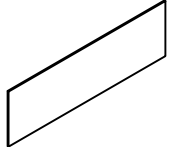
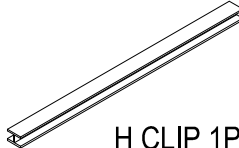
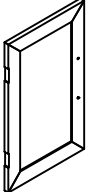
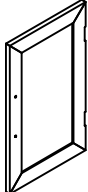
DO NOT ALLOW CHILDREN TO CLIMB ON FURNITURE

Serious or fatal injuries can occur from furniture tipping over. You must install Tipping Restraint Hardware (where included) to help prevent the unit from tipping and causing accidental injury, instability, death or damage. The tipping restraint is intended only as a safety measure, it is not a substitute for proper adult supervision.

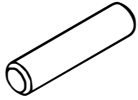



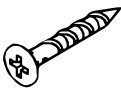

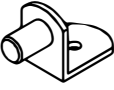
To help prevent furniture from tipping over it must be permanently attached to the wall. Anti-Tip Safety Wall Straps suitable for the unit weight and wall materials (if not included) should be purchased and installed.


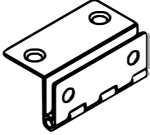
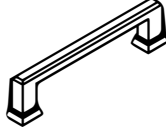

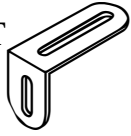
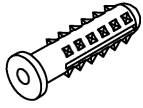
PARTS LIST



<p>(A)</p>  <p>TOP 1PC</p>	<p>(B)</p>  <p>UPPER REAR BRACE 1PC</p>
<p>(C)</p>  <p>LEFT SIDE 1PC</p>	<p>(D)</p>  <p>RIGHT SIDE 1PC</p>
<p>(E)</p>  <p>UPPER FIXED SHELF 1PC</p>	<p>(F)</p>  <p>MIDDLE FIXED SHELF 1PC</p>
<p>(G)</p>  <p>MIDDLE REAR BRACE 1PC</p>	<p>(H)</p>  <p>BOTTOM REAR BRACE 1PC</p>
<p>(I)</p>  <p>ADJUSTABLE SHELF 1PC</p>	<p>(J)</p>  <p>UPPER BACK PANEL 1PC</p>
<p>(K)</p>  <p>MIDDLE BACK PANEL 1PC</p>	<p>(L)</p>  <p>LOWER BACK PANEL 1PC</p>
<p>(M)</p>  <p>H CLIP 1PC</p>	<p>(N)</p>  <p>LEFT DOOR 1PC</p>
<p>(O)</p>  <p>RIGHT DOOR 1PC</p>	

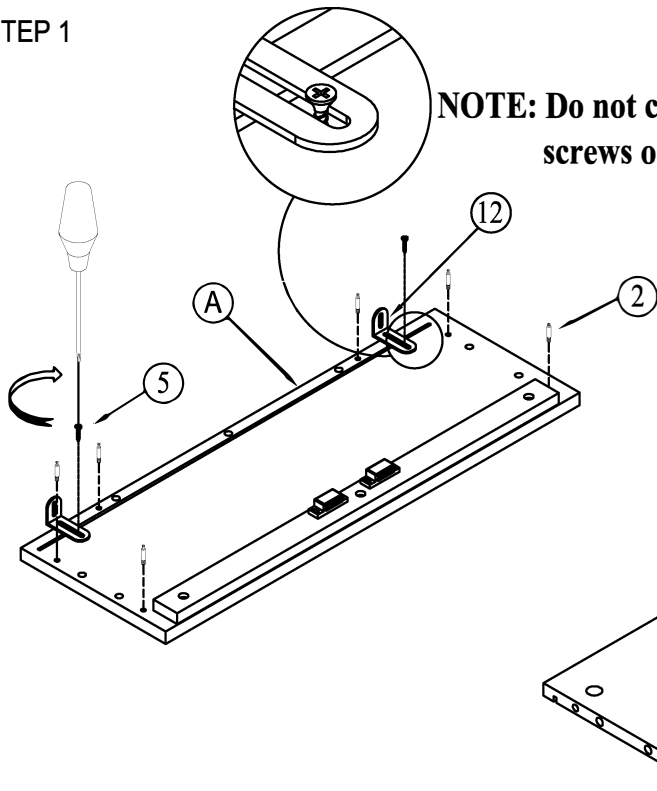
HARDWARE LIST

ITEM	DESCRIPTION	QTY
①	Ø8*30mm WOOD DOWELS 	20 pcs
②	Ø6*34mm CAMLOCK 	24 pcs
③	Ø15*9mm CAMLOCK 	24 pcs
④	#4*40mm SCREW 	2 pcs
⑤	#4*15mm SCREW 	2 pcs
⑥	#3.5*15mm SCREW 	20 pcs
⑦	20x18x14mm SHELF PIN 	4 pcs



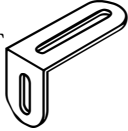
ITEM	DESCRIPTION	QTY
⑧	#3.5*12 SCREW 	4 pcs
⑨	HINGE 	4 pcs
⑩	HANDLE 	2 pcs
⑪	5/32"*22mm BOLT 	4 pcs
⑫	METAL BRACKET 	2 pcs
⑬	WALL ANCHOR 	2 pcs

INSTALLATION

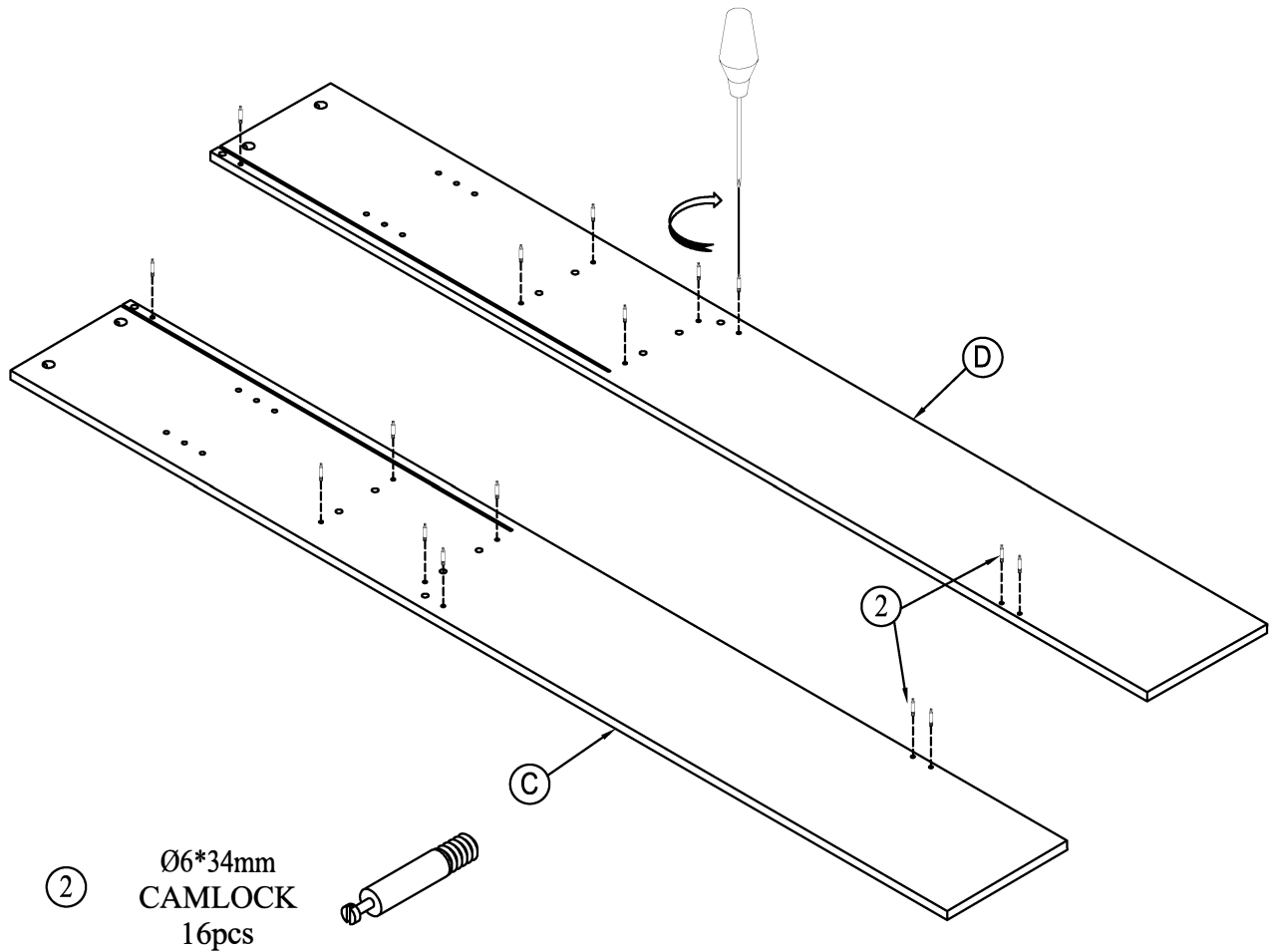
STEP 1

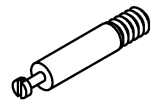


NOTE: Do not completely tighten screws on part 12.

- ② Ø6*34mm CAMLOCK 8pcs 
- ⑤ #4*15mm SCREW 2pcs 
- ⑫ METAL BRACKET 2pcs 

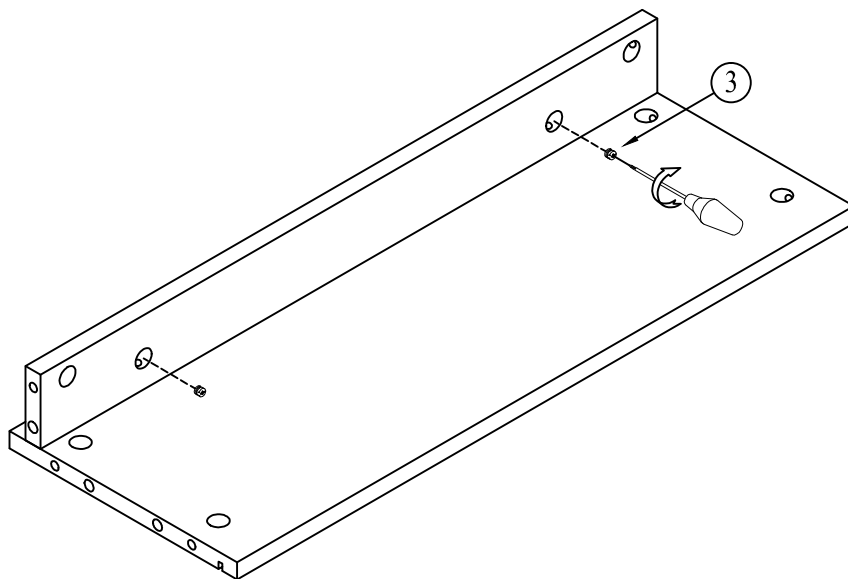
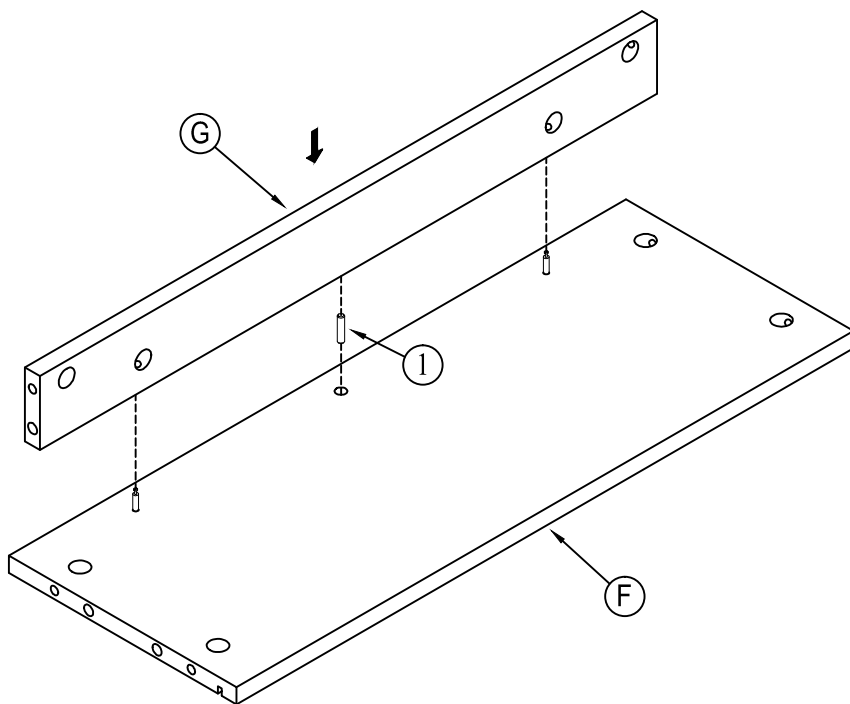
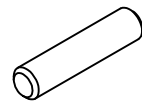
STEP 2



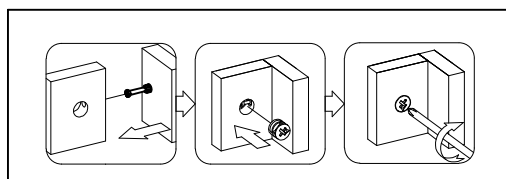
- ② Ø6*34mm CAMLOCK 16pcs 

STEP 3

① Ø8*30mm
WOOD DOWELS
1pcs



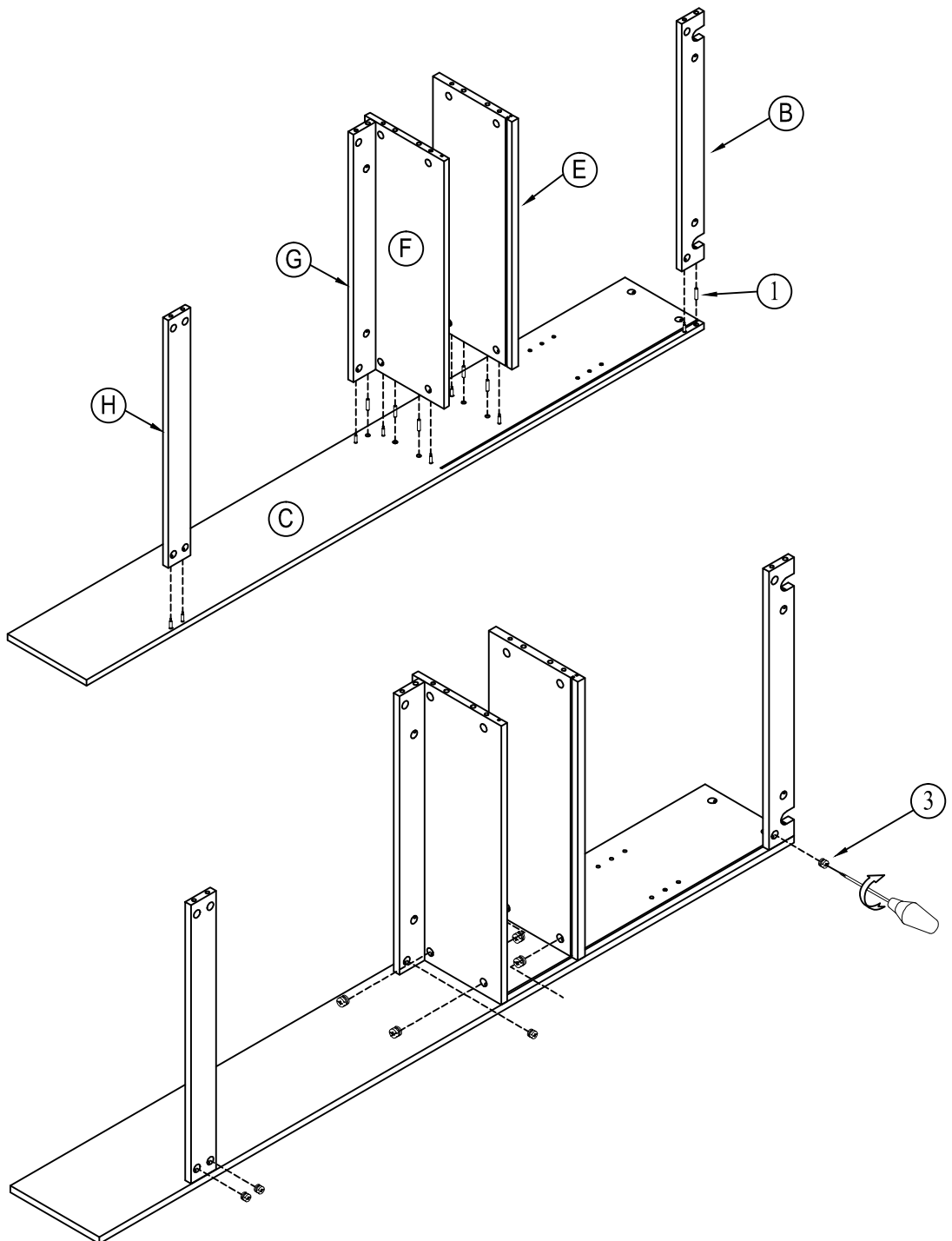
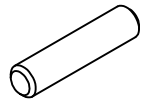
③ Ø15*9mm
CAMLOCK
2pcs



STEP 4

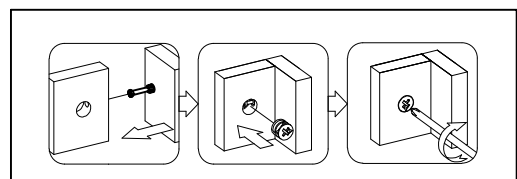
①

Ø8*30mm
WOOD DOWELS
6pcs

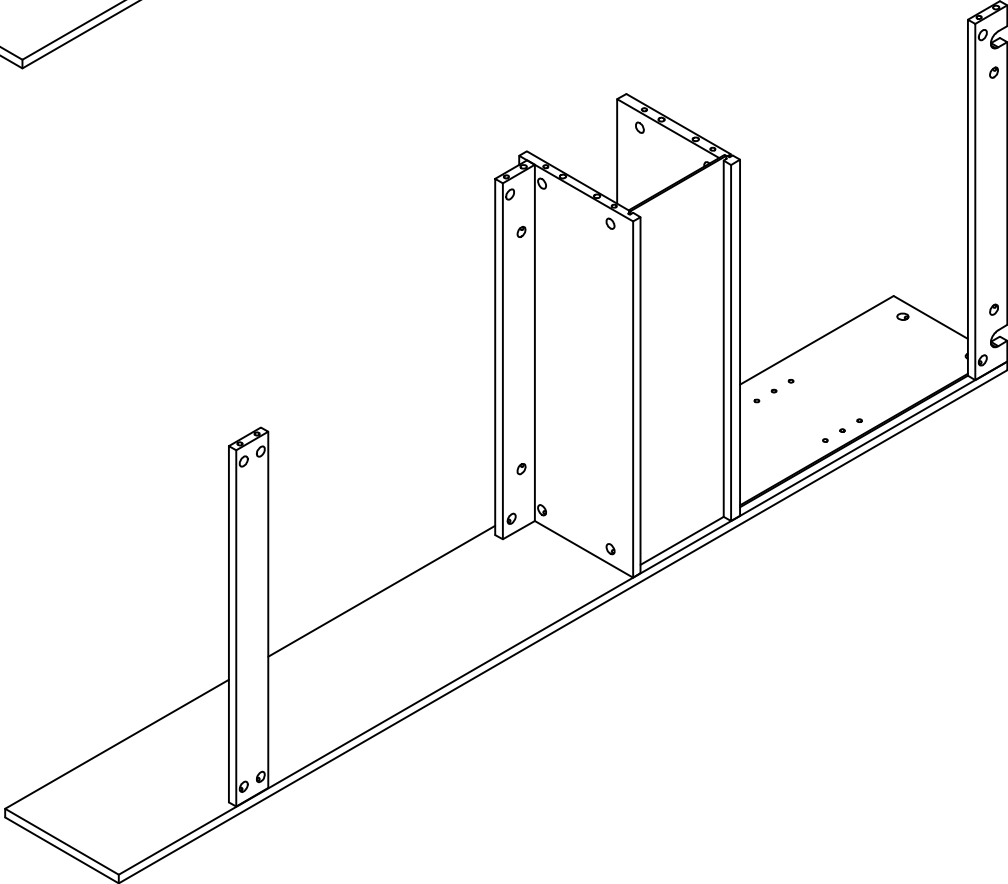
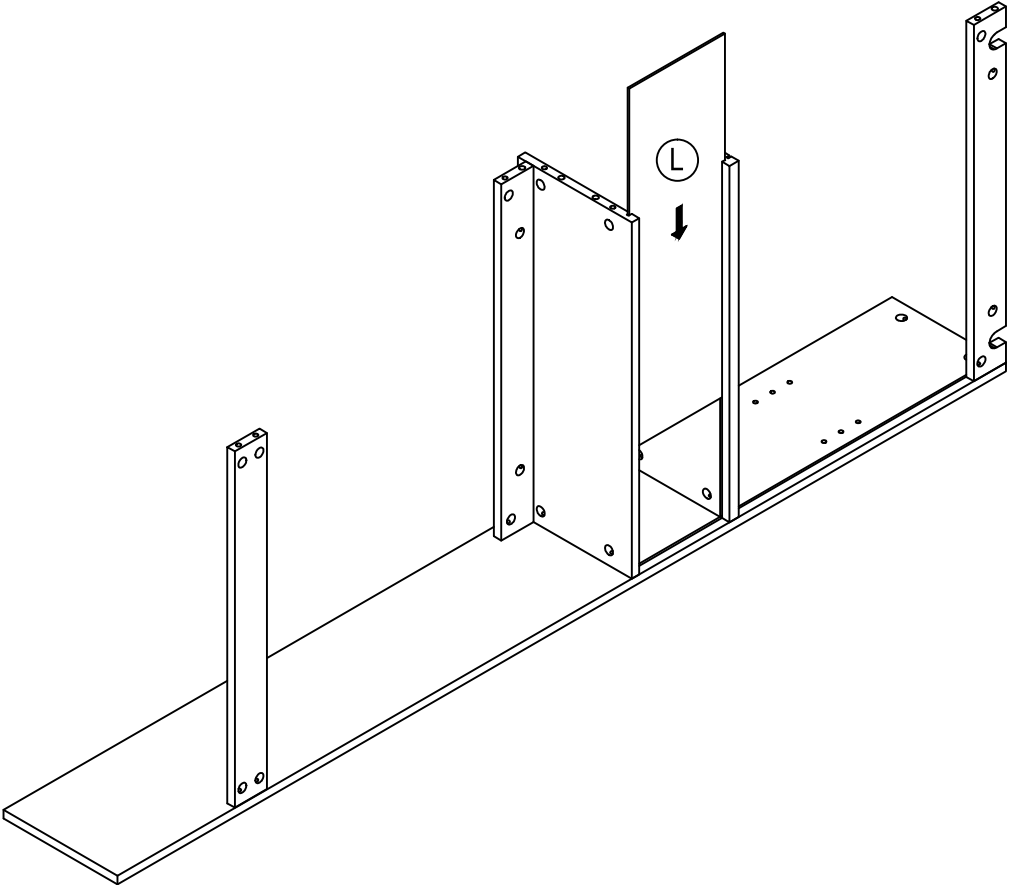


③

Ø15*9mm
CAMLOCK
8pcs



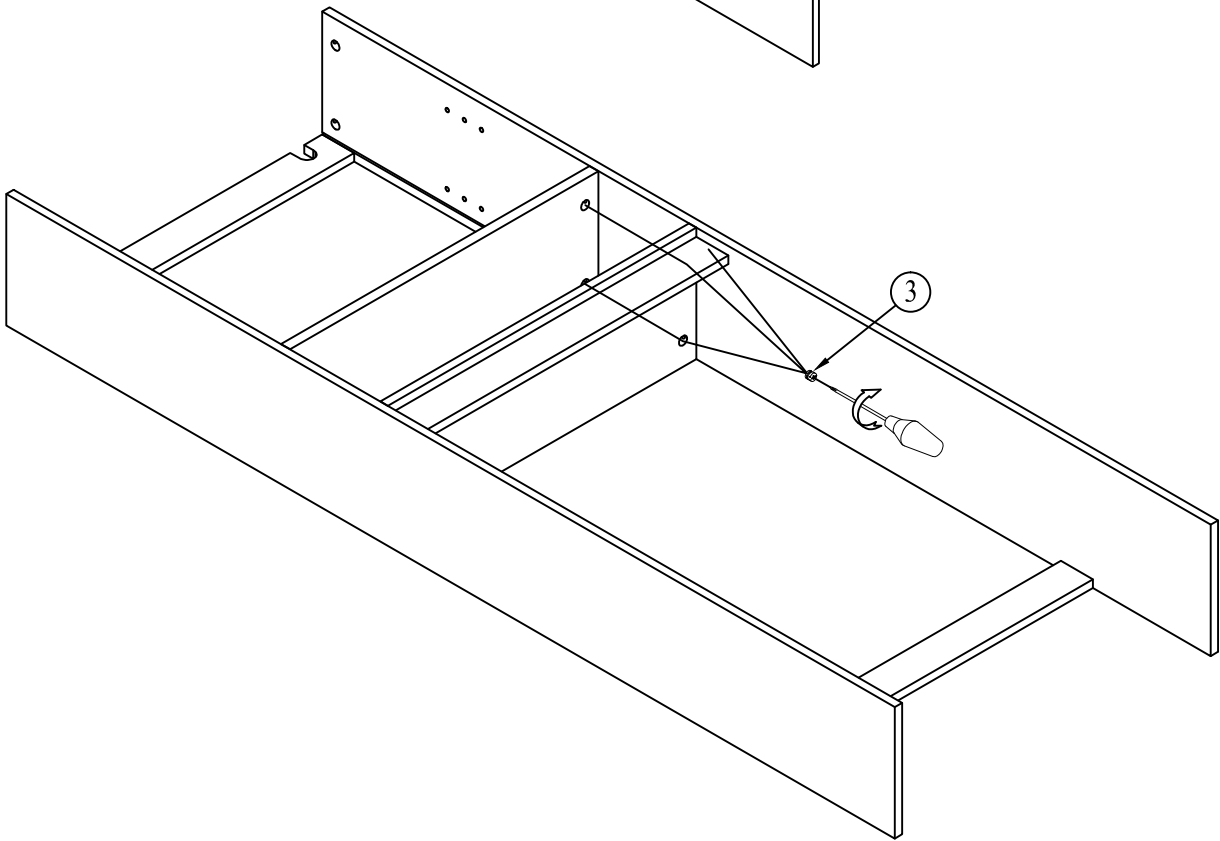
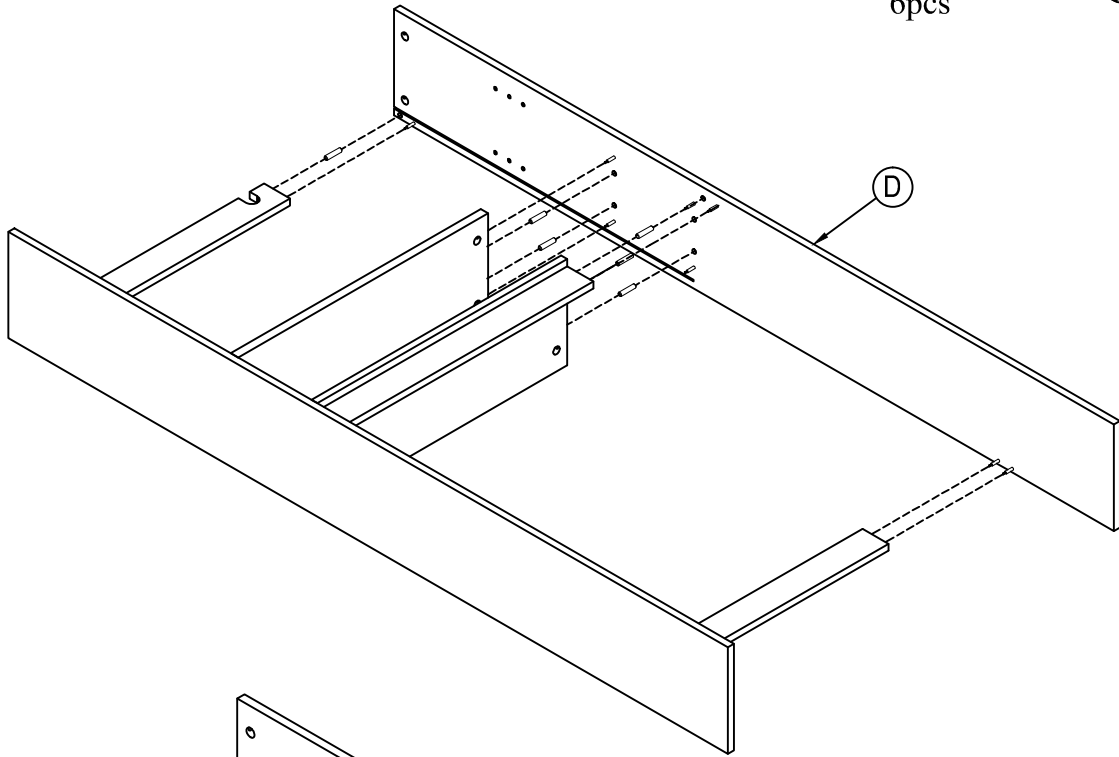
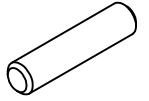
STEP 5



STEP 6

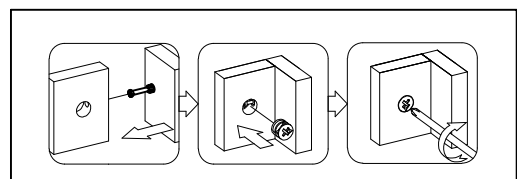
①

Ø8*30mm
WOOD DOWELS
6pcs



③

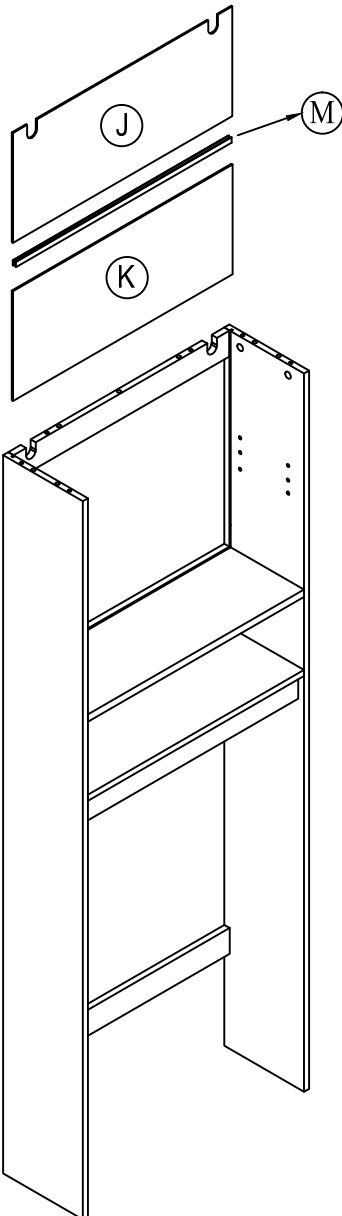
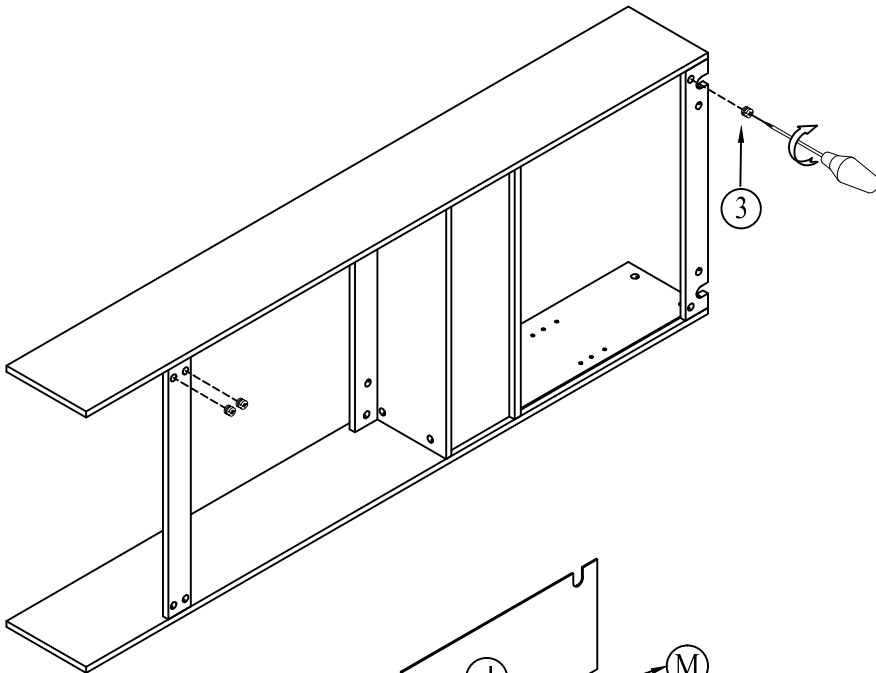
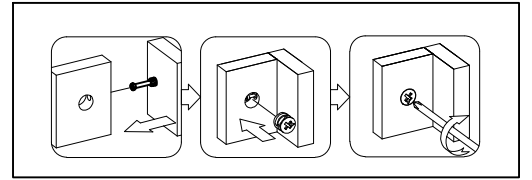
Ø15*9mm
CAMLOCK
5pcs



STEP 7

③

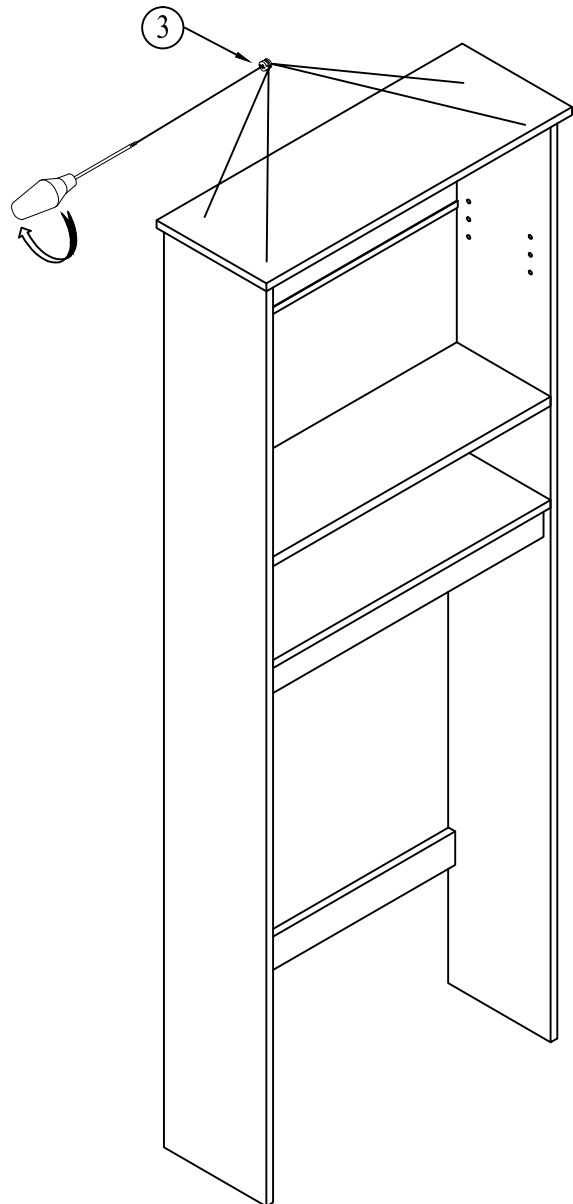
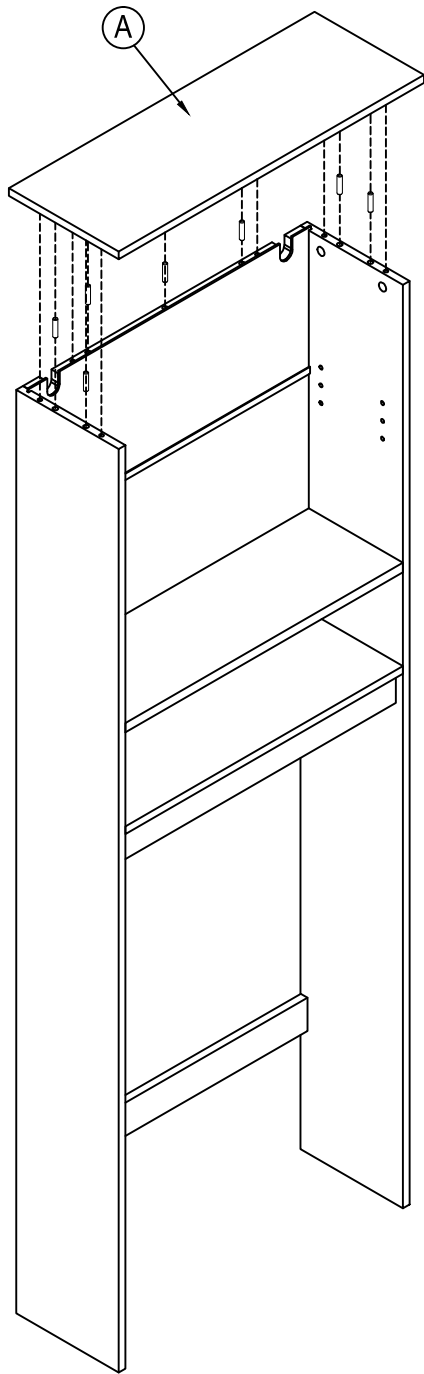
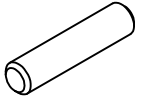
Ø15*9mm
CAMLOCK
3pcs



STEP 8

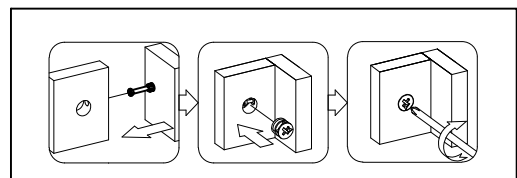
①

Ø8*30mm
WOOD DOWELS
7pcs



③

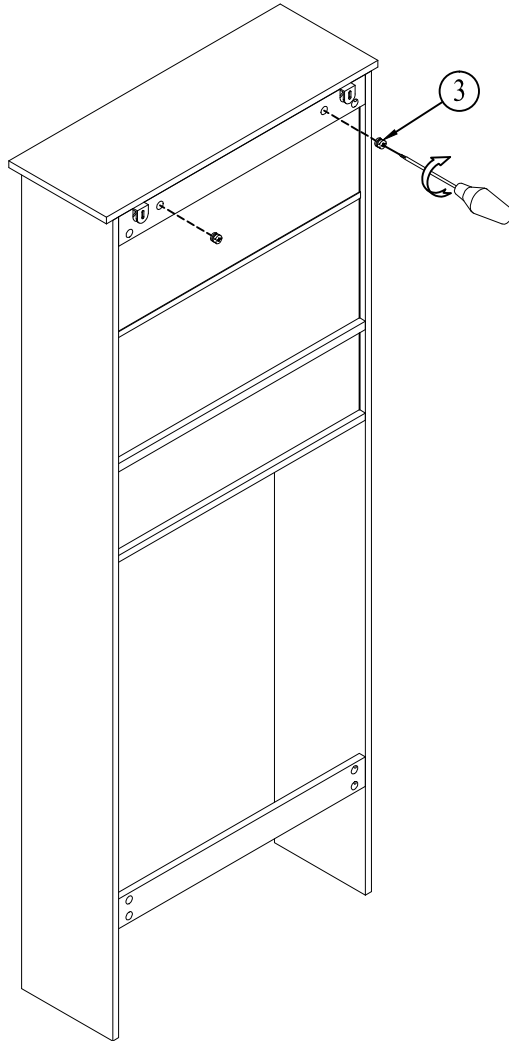
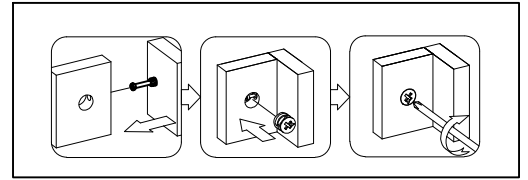
Ø15*9mm
CAMLOCK
4pcs



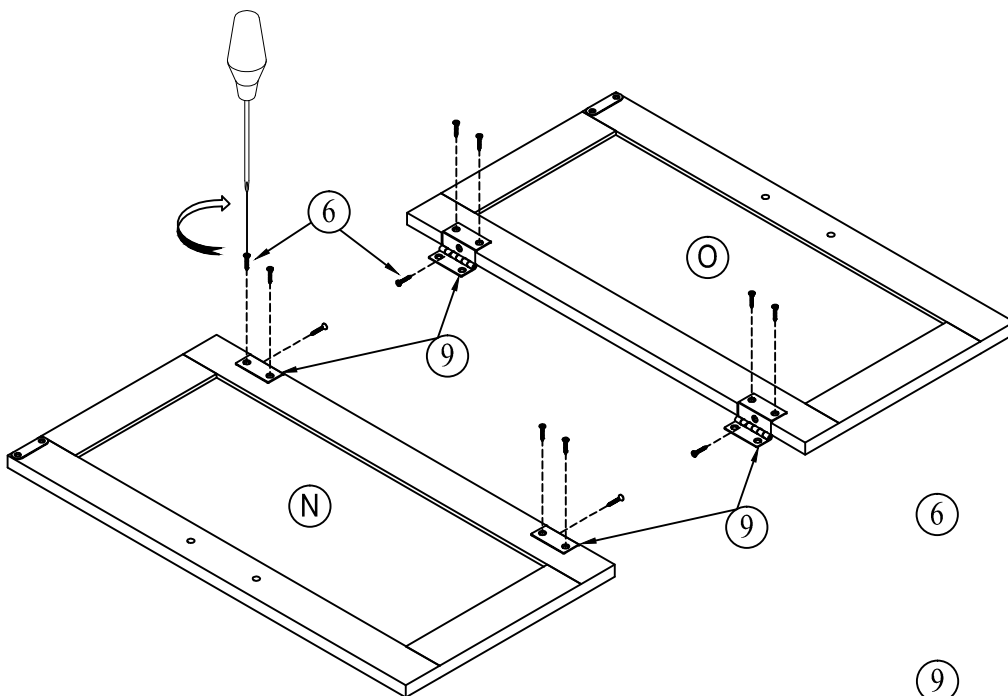
STEP 9

③

Ø15*9mm
CAMLOCK
2pcs

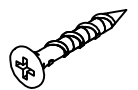


STEP 10



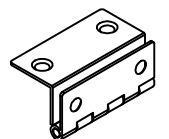
⑥

#3.5*15mm
SCREW
12pcs



⑨

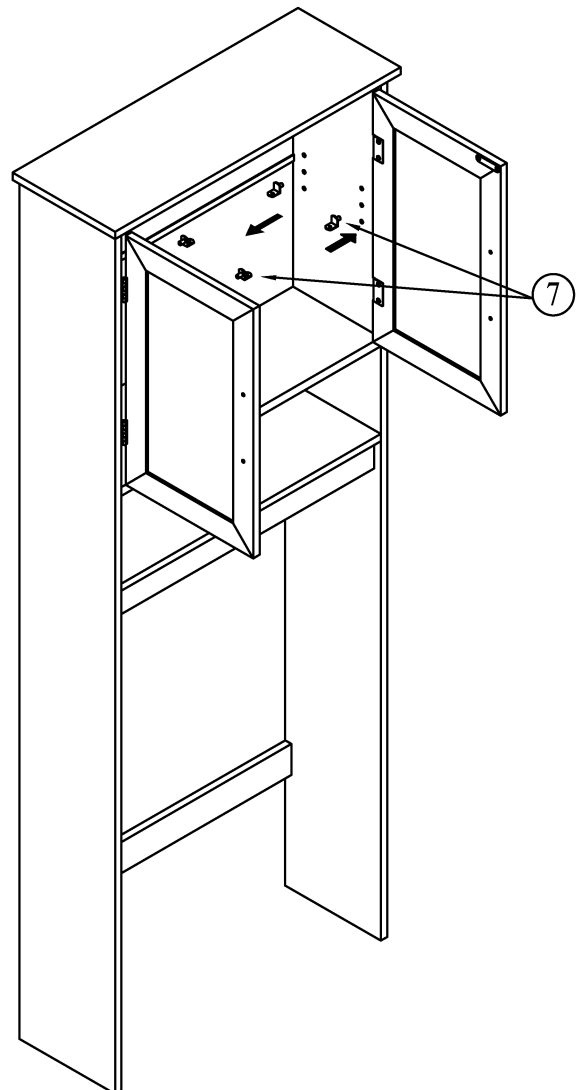
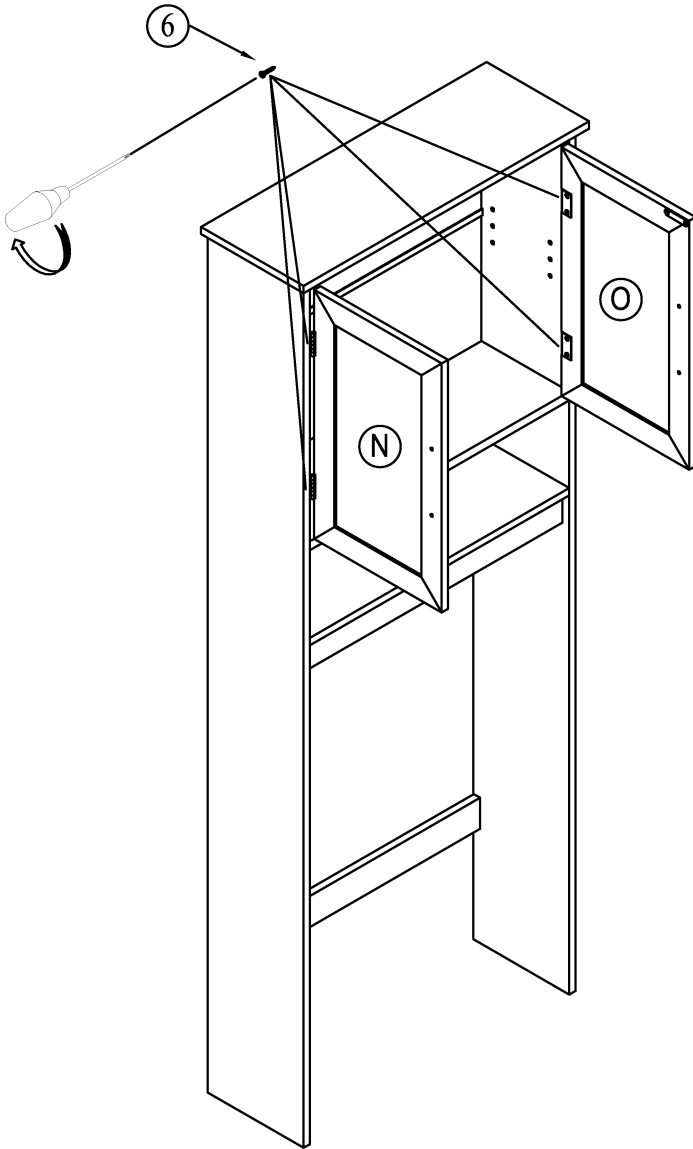
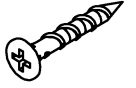
HINGE
4pcs



STEP 11

⑥

#3.5*15mm
SCREW
8pcs

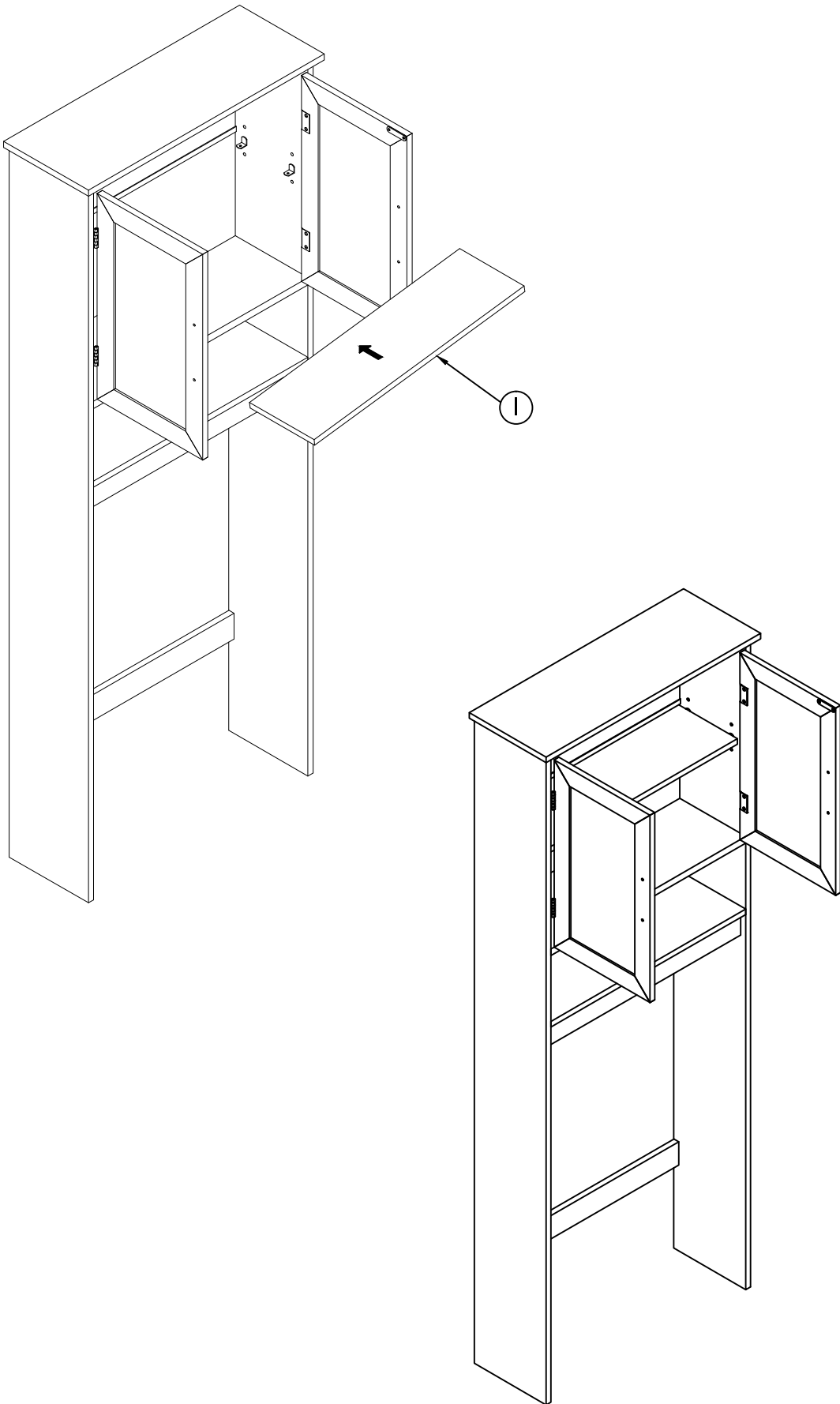


⑦

20x18x14mm
SHELF PIN
4pcs



STEP 12

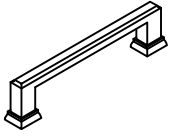


STEP 13

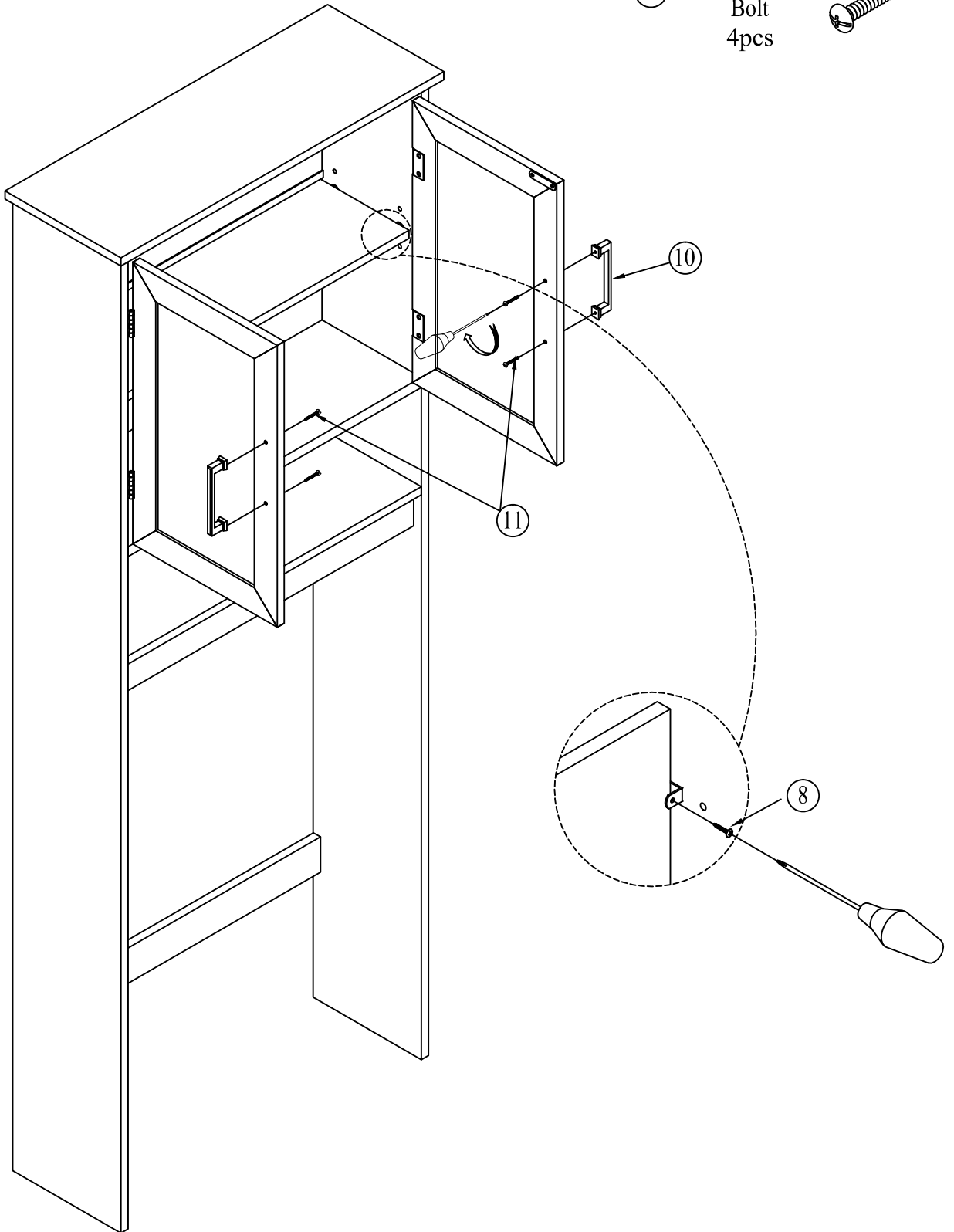
⑧ #3.5*12
SCREW
4pcs



⑩ Handle
2pcs



⑪ 5/32"*22mm
Bolt
4pcs

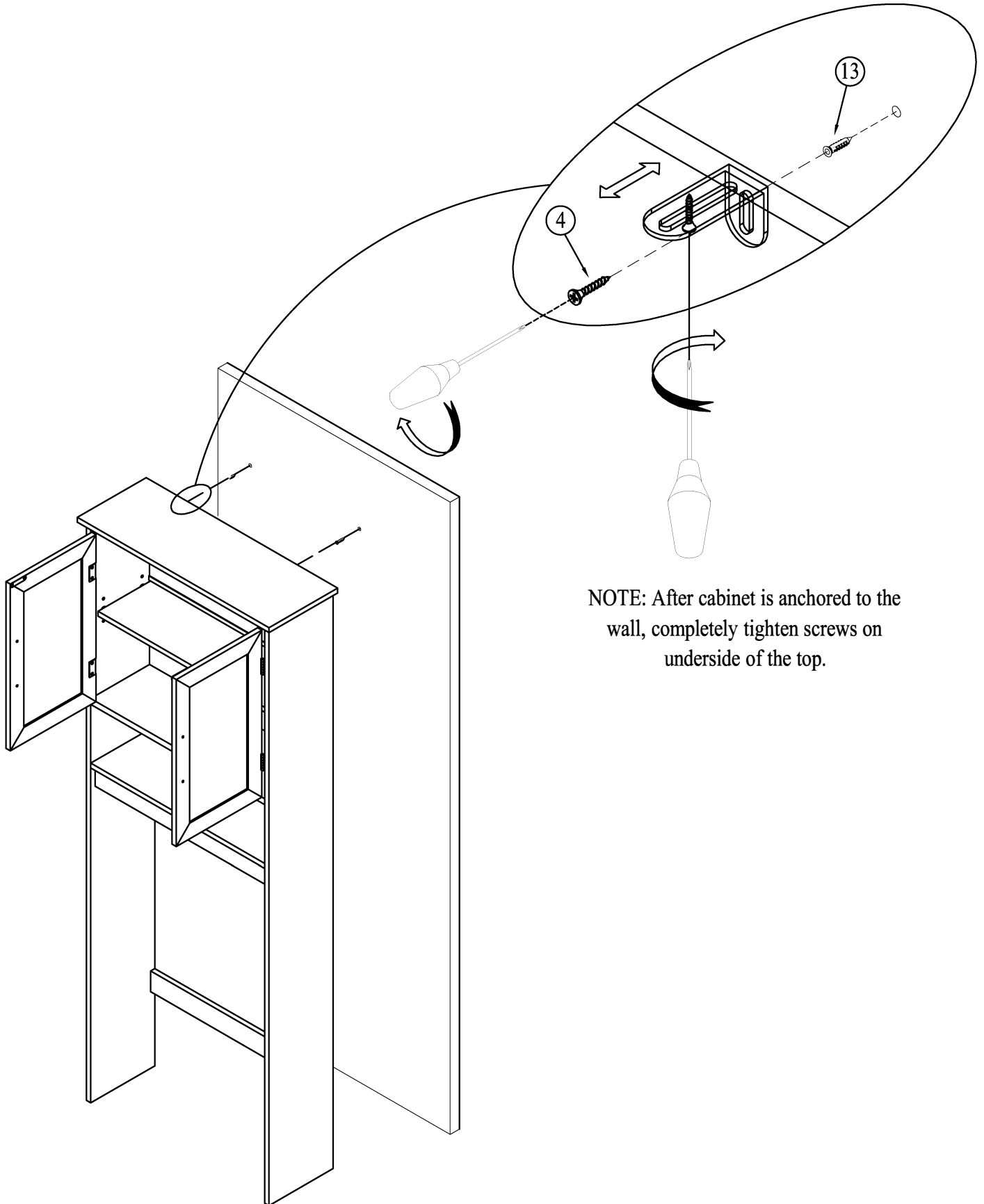


STEP 14

④ #4*40mm
SCREW
2pcs



⑬ WALL ANCHOR
2pcs



NOTE: After cabinet is anchored to the wall, completely tighten screws on underside of the top.