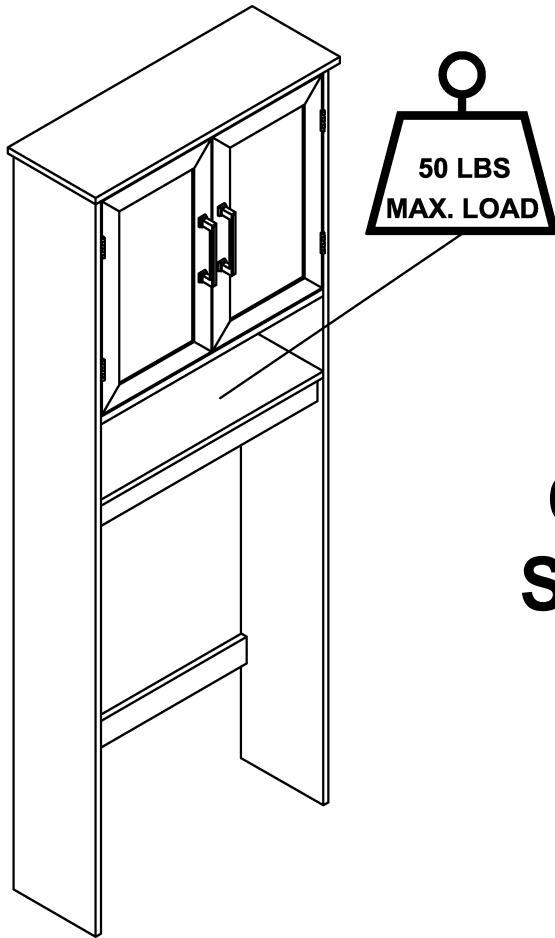


Thank you for your purchase!



## OVER THE TOILET STORAGE CABINET

# ASSEMBLY INSTRUCTIONS

**Before You Begin:** Phillips screwdriver required for assembly (not included).

Please identify all component parts and hardware pieces required before you begin. Carefully remove all of the components from the packaging and set aside for assembly. Assemble on a soft surface to prevent scratching during assembly.

**Caution:**

Tighten all components securely before use. Failure to do so may result in personal injury.

**DO NOT** use any sharp objects to open plastic wrapped components as damage to product or components may result.

**Warning:**

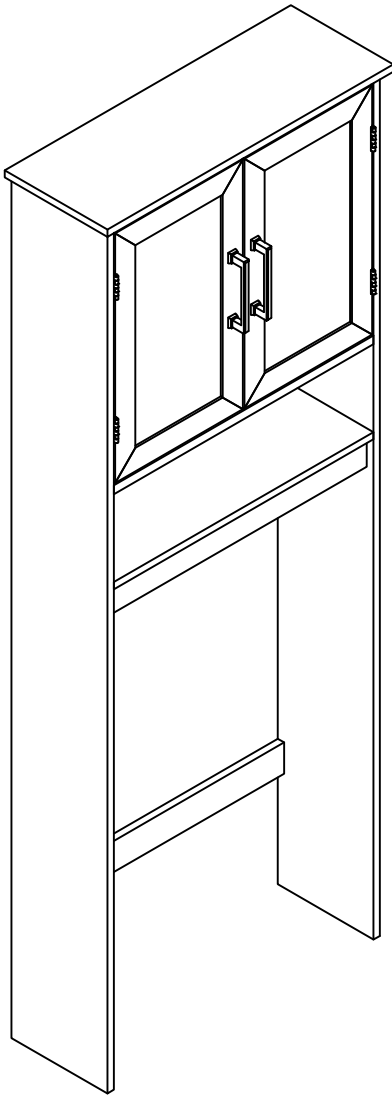
**CHOKING HAZARD** - Small Parts. Adult Assembly Required.

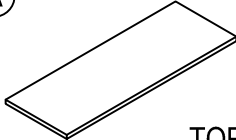
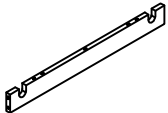
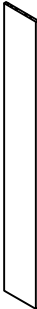
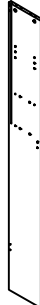
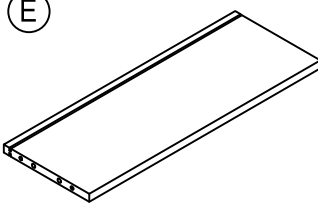
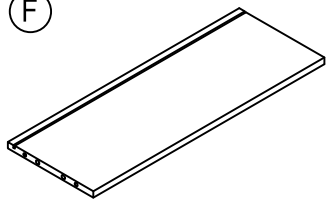
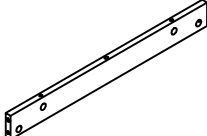
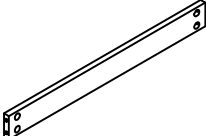
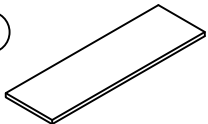
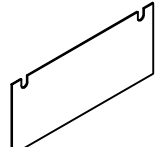
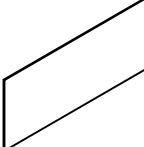
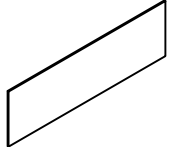
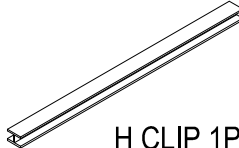
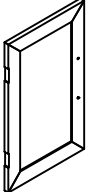
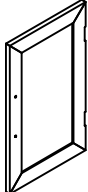
**DO NOT ALLOW CHILDREN TO CLIMB ON FURNITURE**

Serious or fatal injuries can occur from furniture tipping over. You must install Tipping Restraint Hardware (where included) to help prevent the unit from tipping and causing accidental injury, instability, death or damage. The tipping restraint is intended only as a safety measure, it is not a substitute for proper adult supervision.

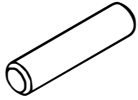



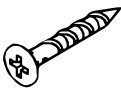

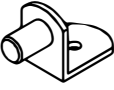
To help prevent furniture from tipping over it must be permanently attached to the wall. Anti-Tip Safety Wall Straps suitable for the unit weight and wall materials (if not included) should be purchased and installed.


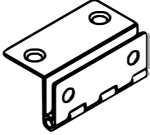
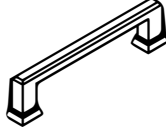

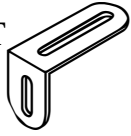
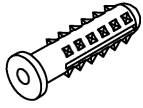
# PARTS LIST



<p>(A)</p>  <p>TOP 1PC</p>	<p>(B)</p>  <p>UPPER REAR BRACE 1PC</p>
<p>(C)</p>  <p>LEFT SIDE 1PC</p>	<p>(D)</p>  <p>RIGHT SIDE 1PC</p>
<p>(E)</p>  <p>UPPER FIXED SHELF 1PC</p>	<p>(F)</p>  <p>MIDDLE FIXED SHELF 1PC</p>
<p>(G)</p>  <p>MIDDLE REAR BRACE 1PC</p>	<p>(H)</p>  <p>BOTTOM REAR BRACE 1PC</p>
<p>(I)</p>  <p>ADJUSTABLE SHELF 1PC</p>	<p>(J)</p>  <p>UPPER BACK PANEL 1PC</p>
<p>(K)</p>  <p>MIDDLE BACK PANEL 1PC</p>	<p>(L)</p>  <p>LOWER BACK PANEL 1PC</p>
<p>(M)</p>  <p>H CLIP 1PC</p>	<p>(N)</p>  <p>LEFT DOOR 1PC</p>
<p>(O)</p>  <p>RIGHT DOOR 1PC</p>	

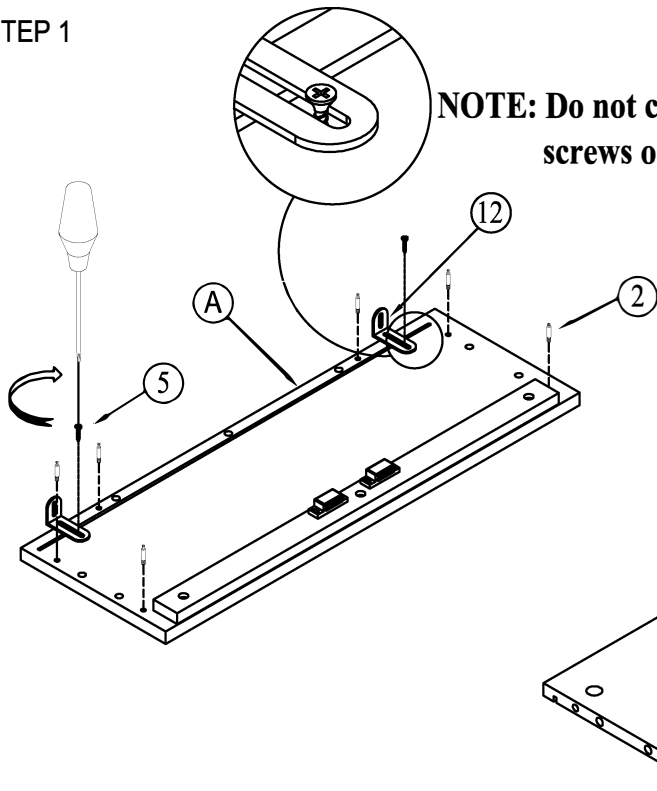
# HARDWARE LIST

ITEM	DESCRIPTION	QTY
①	Ø8*30mm WOOD DOWELS 	20 pcs
②	Ø6*34mm CAMLOCK 	24 pcs
③	Ø15*9mm CAMLOCK 	24 pcs
④	#4*40mm SCREW 	2 pcs
⑤	#4*15mm SCREW 	2 pcs
⑥	#3.5*15mm SCREW 	20 pcs
⑦	20x18x14mm SHELF PIN 	4 pcs



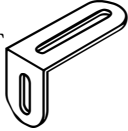
ITEM	DESCRIPTION	QTY
⑧	#3.5*12 SCREW 	4 pcs
⑨	HINGE 	4 pcs
⑩	HANDLE 	2 pcs
⑪	5/32"*22mm BOLT 	4 pcs
⑫	METAL BRACKET 	2 pcs
⑬	WALL ANCHOR 	2 pcs

# INSTALLATION

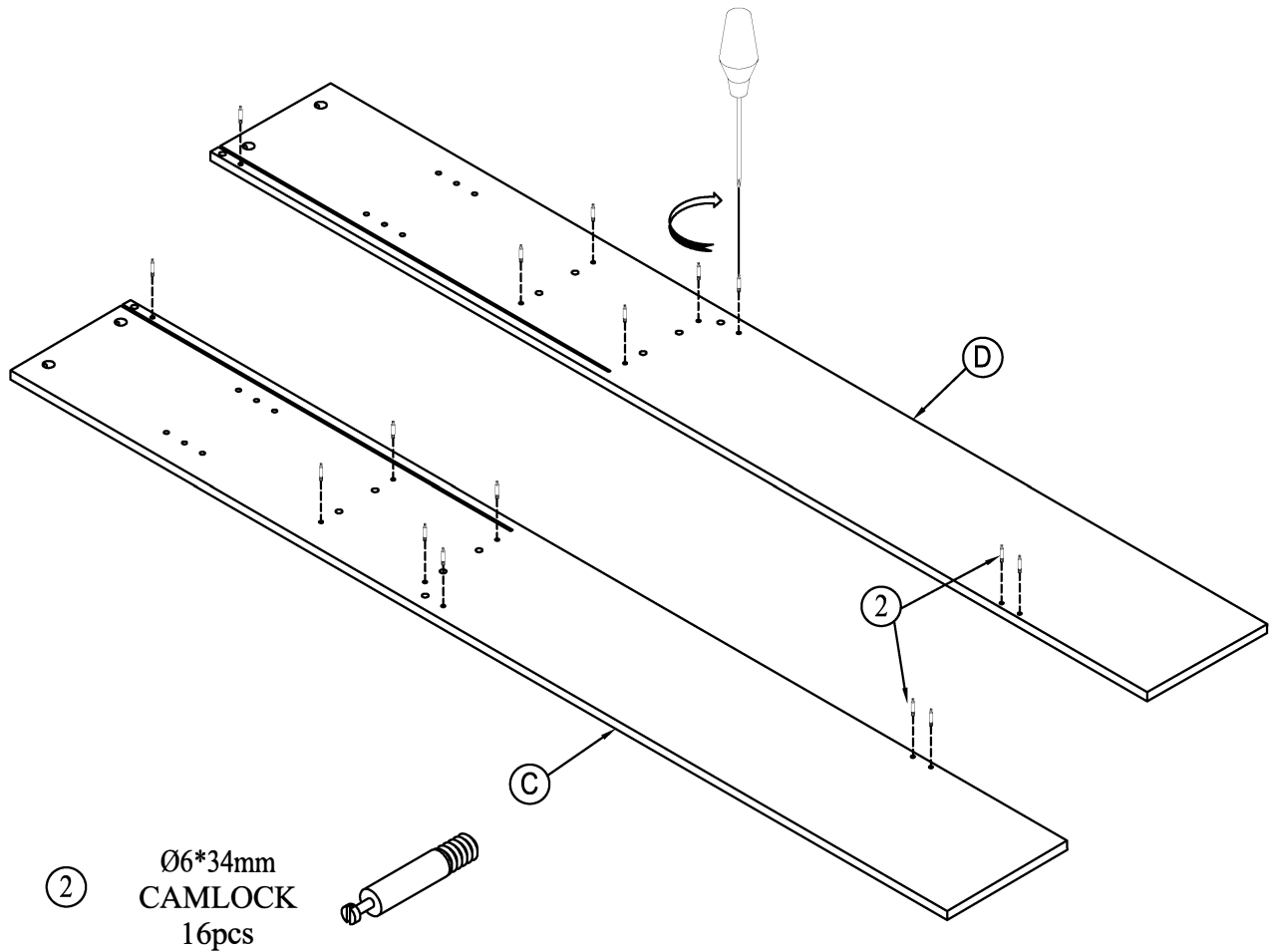
## STEP 1

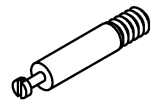


NOTE: Do not completely tighten screws on part 12.

- ② Ø6\*34mm CAMLOCK 8pcs 
- ⑤ #4\*15mm SCREW 2pcs 
- ⑫ METAL BRACKET 2pcs 

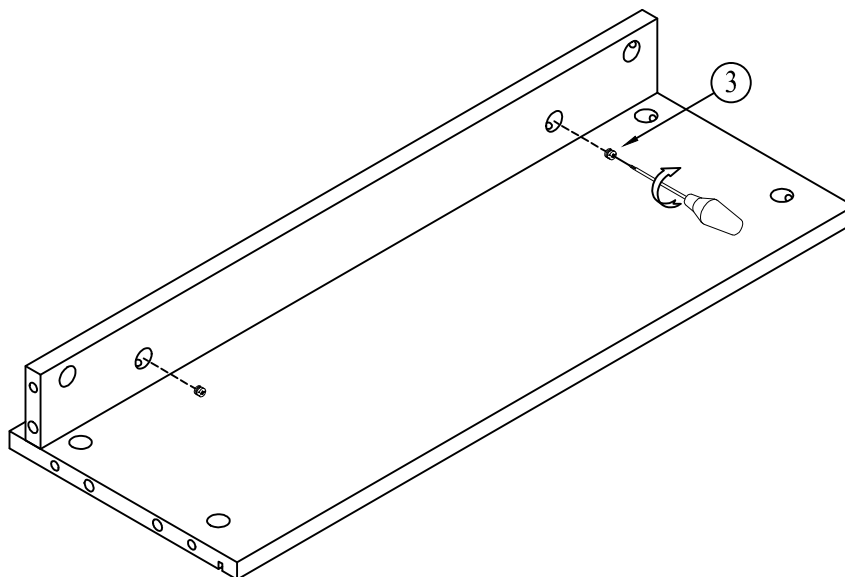
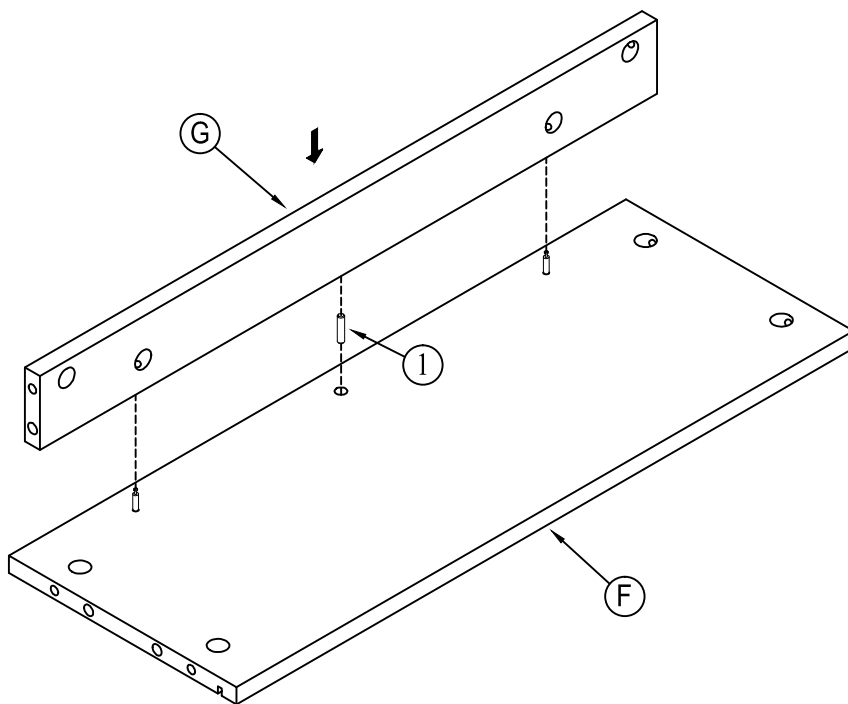
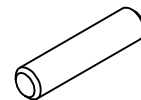
## STEP 2



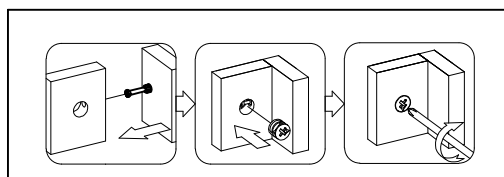
- ② Ø6\*34mm CAMLOCK 16pcs 

STEP 3

① Ø8\*30mm  
WOOD DOWELS  
1pcs

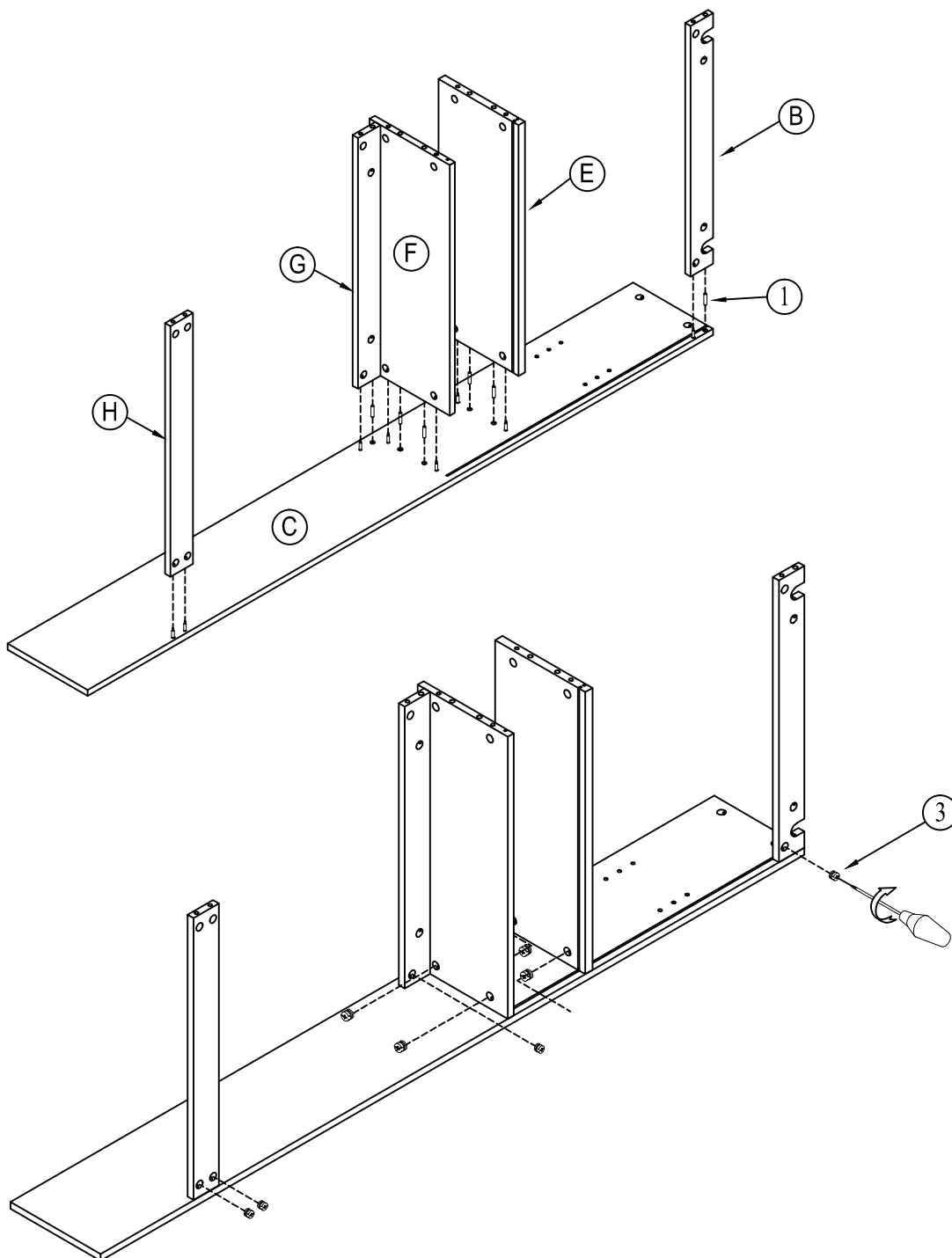
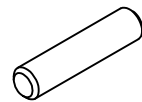


③ Ø15\*9mm  
CAMLOCK  
2pcs



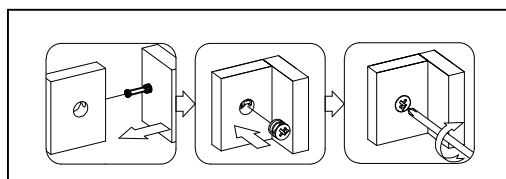
STEP 4

① Ø8\*30mm  
WOOD DOWELS  
6pcs

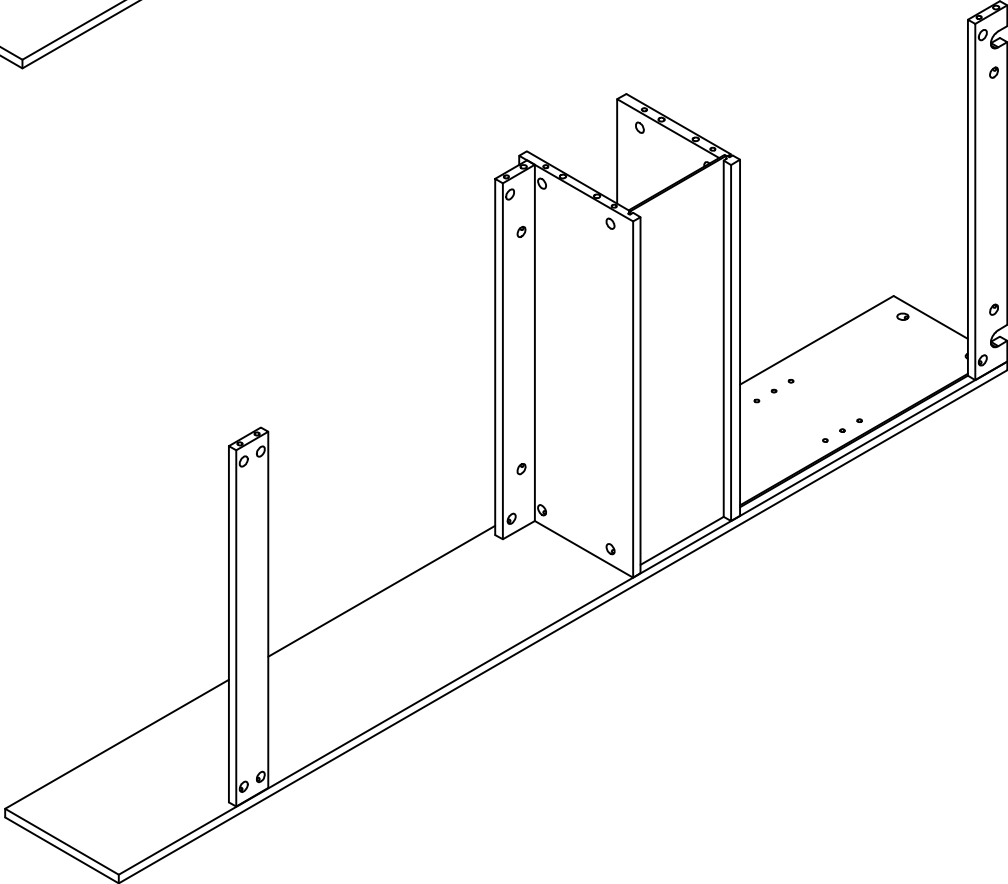
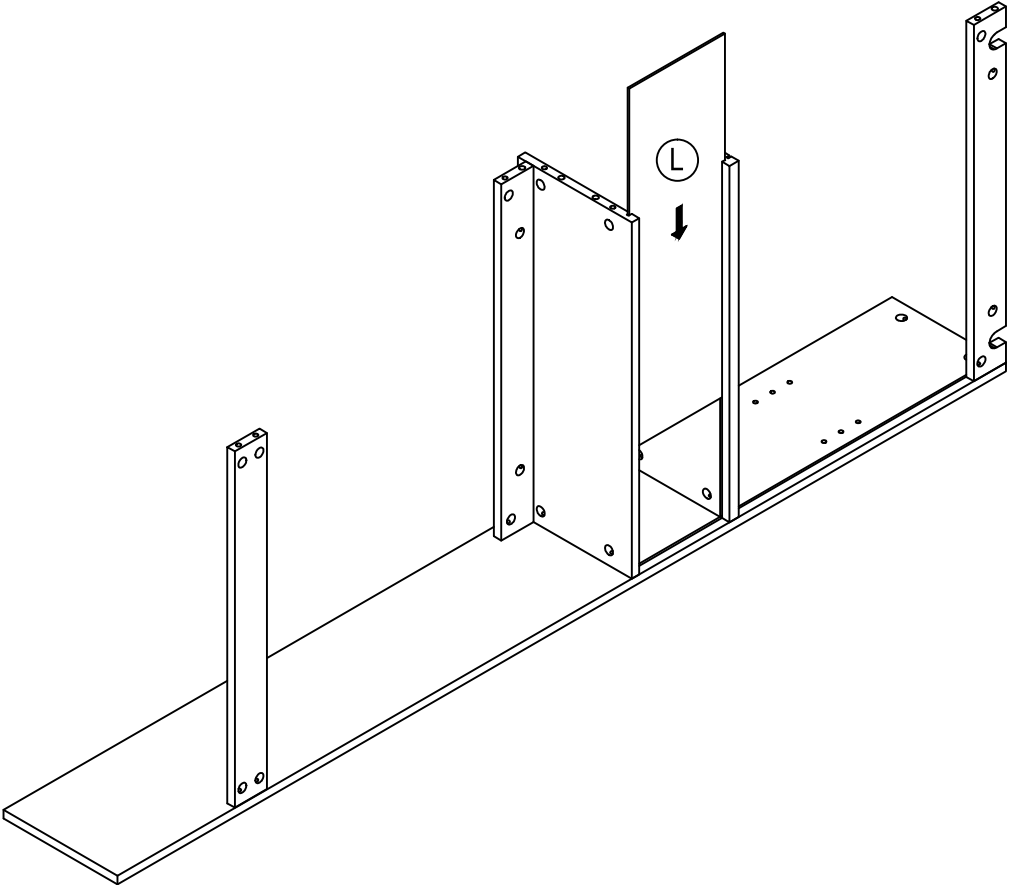


③

Ø15\*9mm  
CAMLOCK  
8pcs



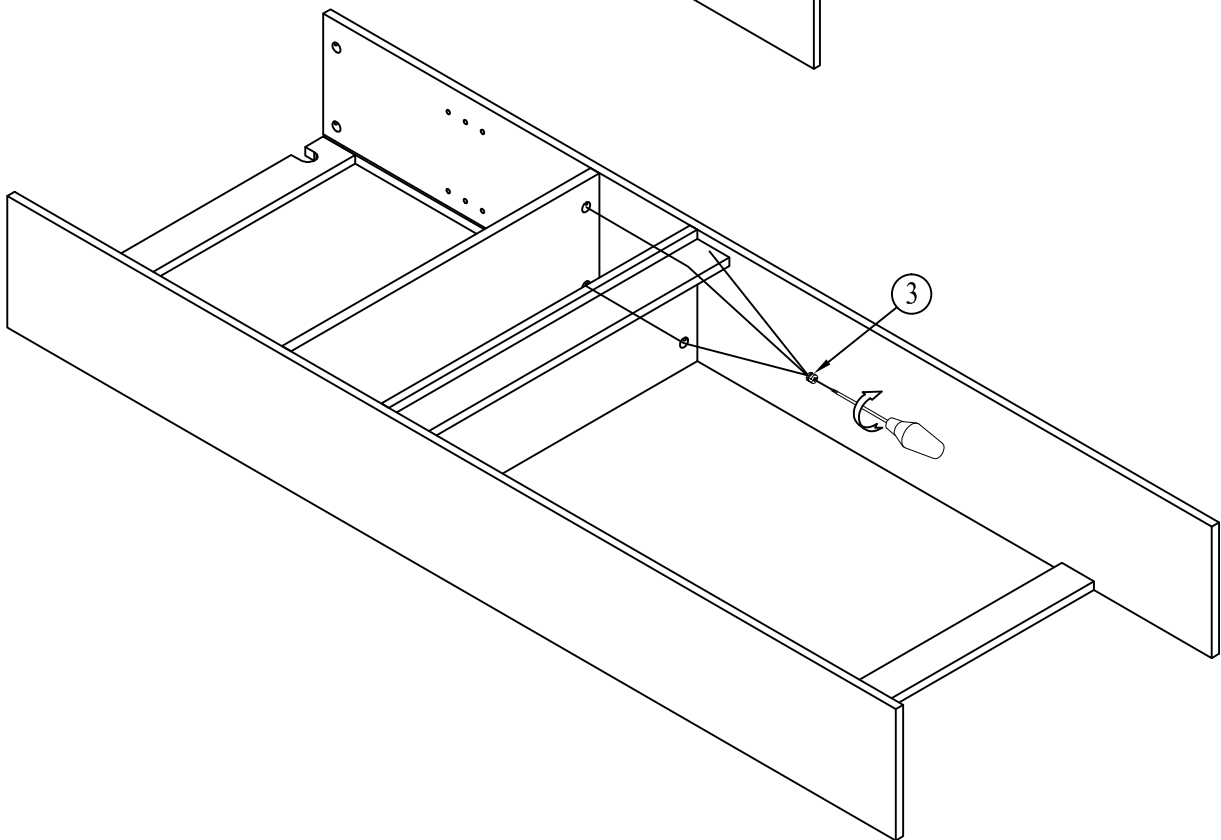
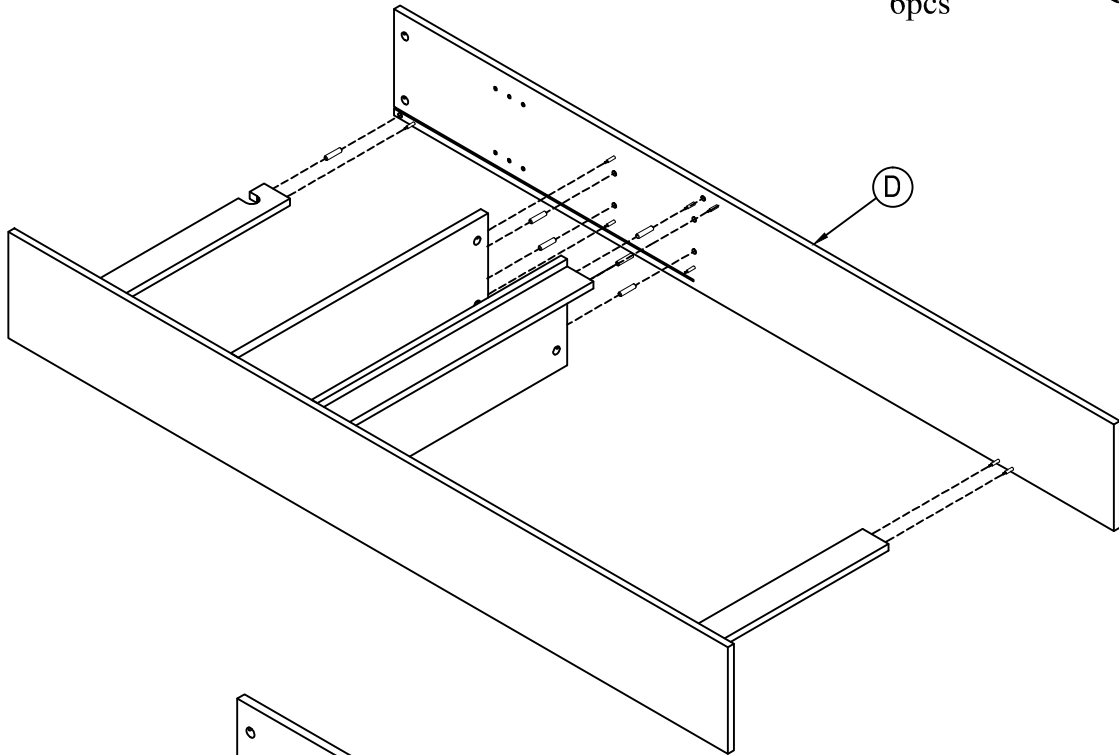
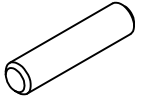
STEP 5



STEP 6

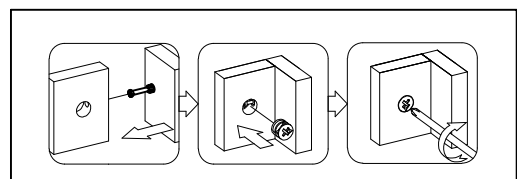
①

Ø8\*30mm  
WOOD DOWELS  
6pcs



③

Ø15\*9mm  
CAMLOCK  
5pcs

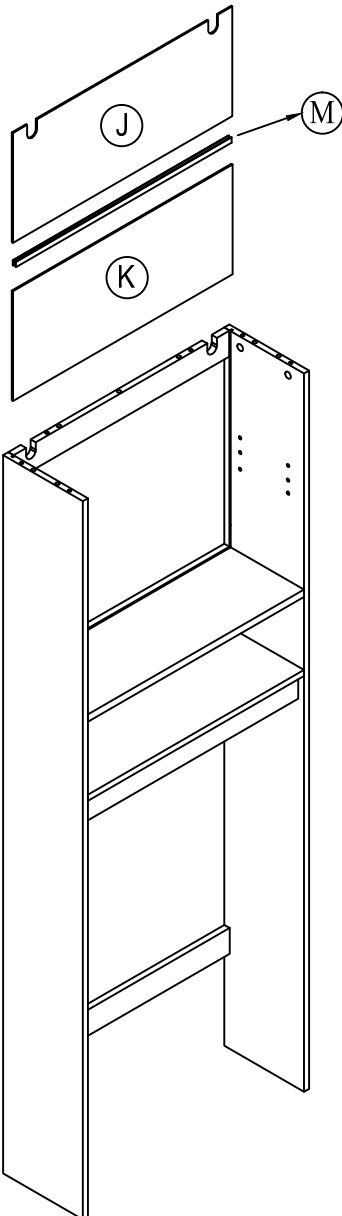
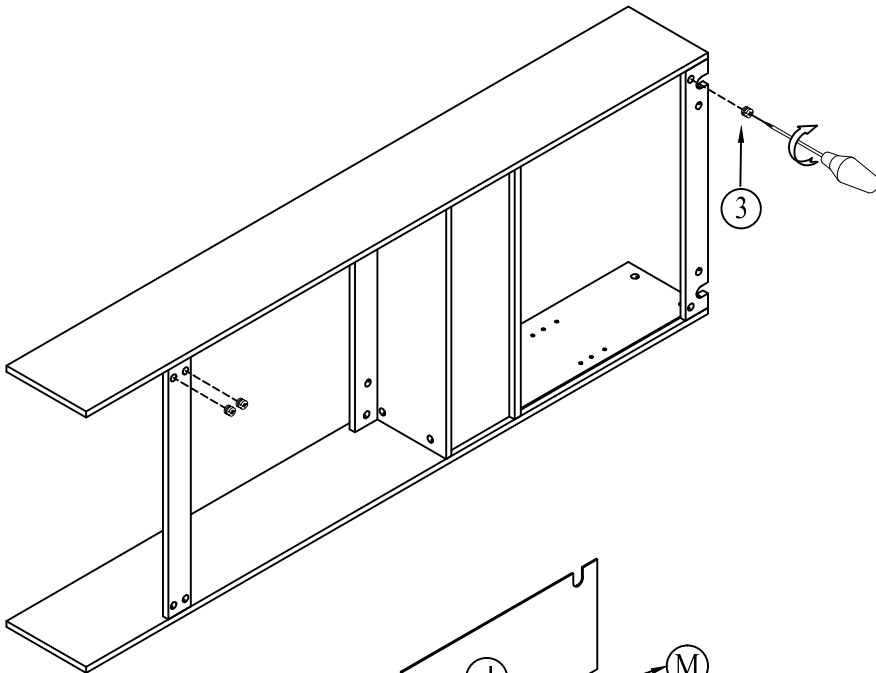
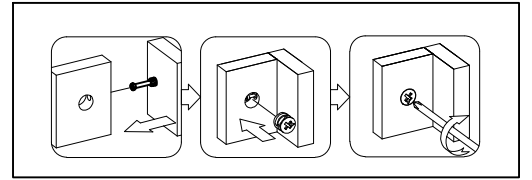




STEP 7

3

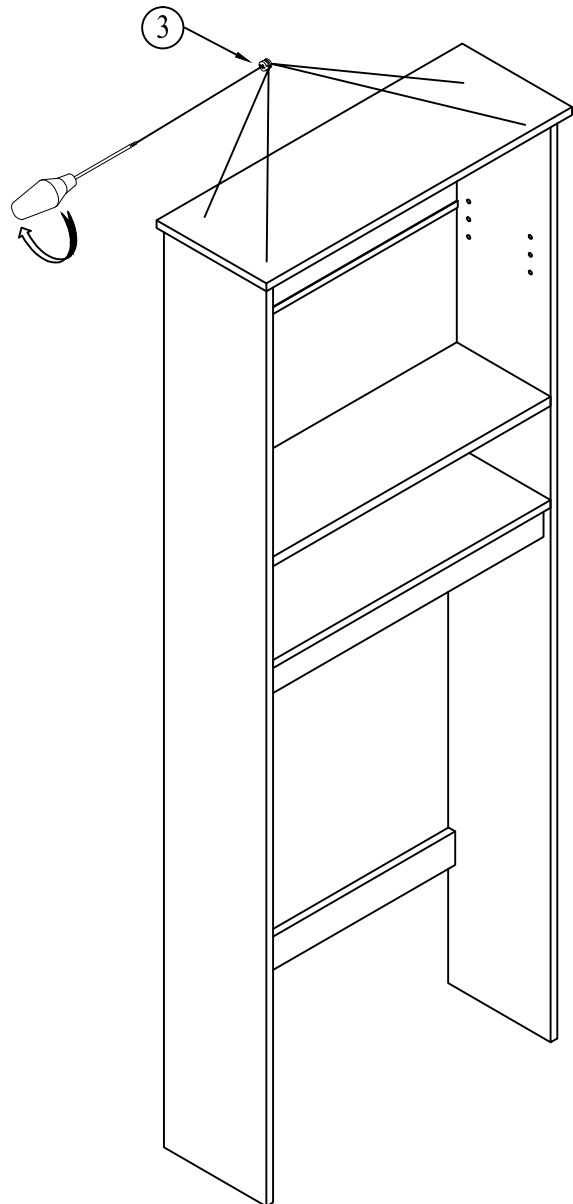
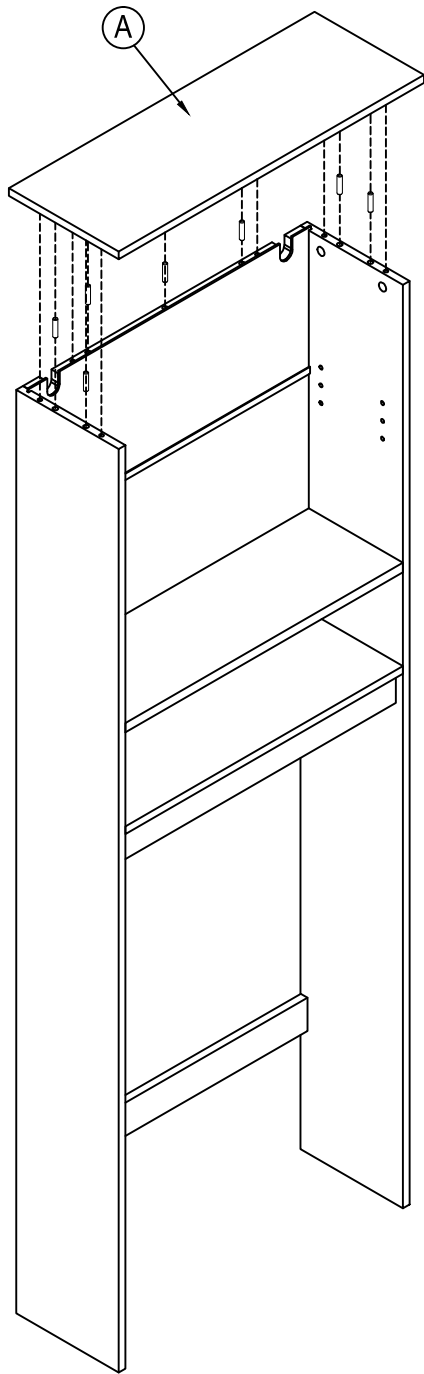
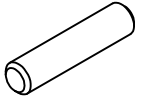
Ø15\*9mm  
CAMLOCK  
3pcs



STEP 8

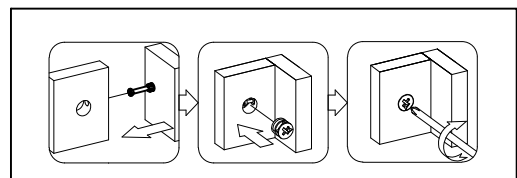
①

Ø8\*30mm  
WOOD DOWELS  
7pcs



③

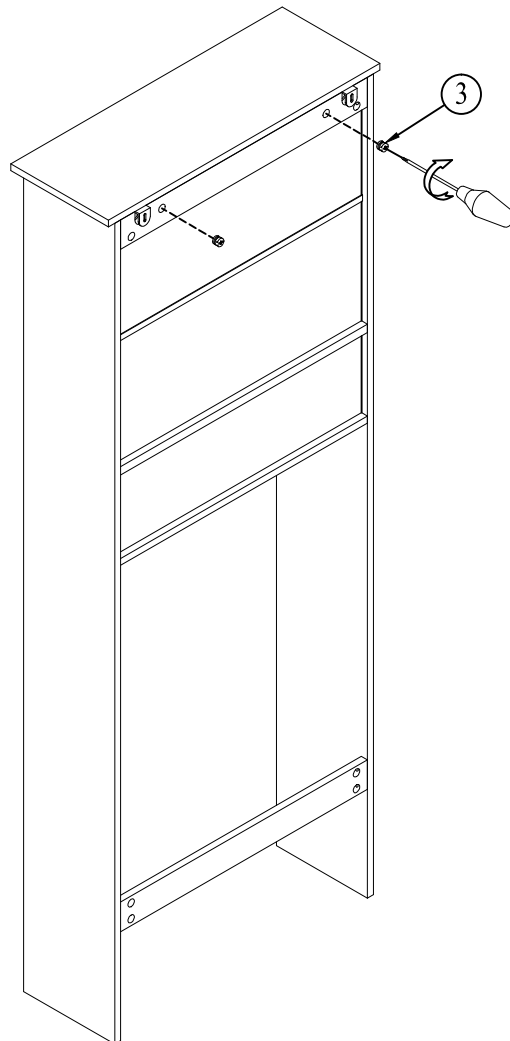
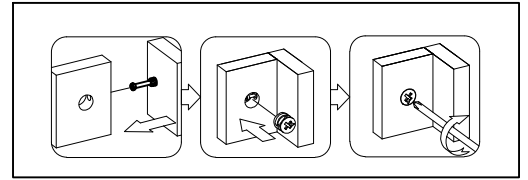
Ø15\*9mm  
CAMLOCK  
4pcs



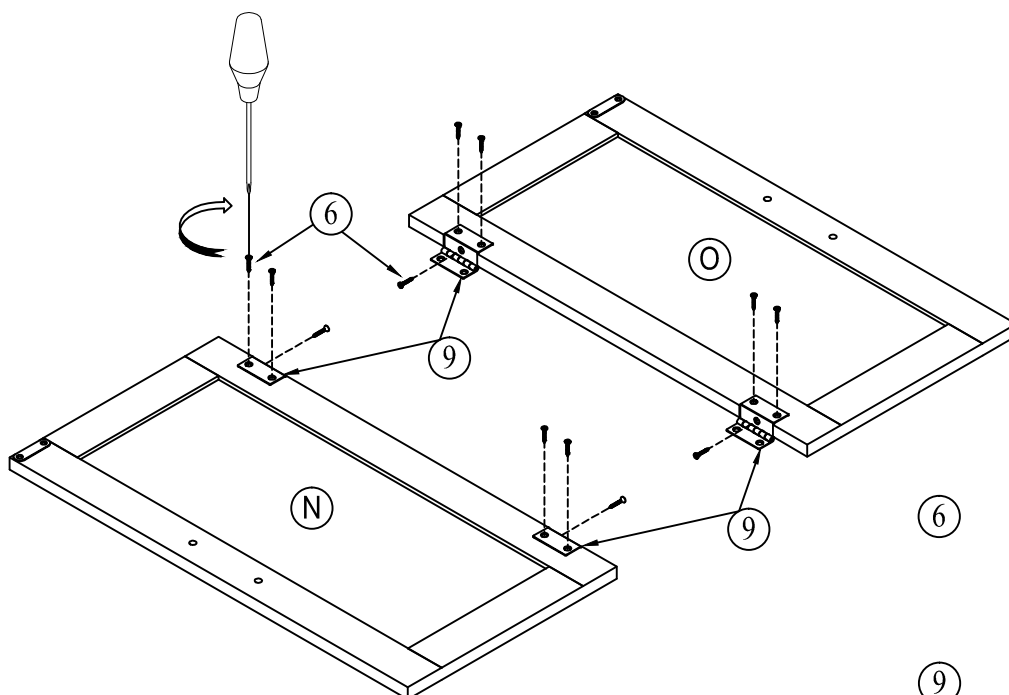
STEP 9

③

Ø15\*9mm  
CAMLOCK  
2pcs

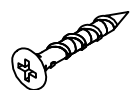


STEP 10



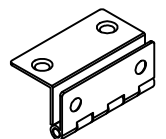
#3.5\*15mm  
SCREW  
12pcs

⑥



HINGE  
4pcs

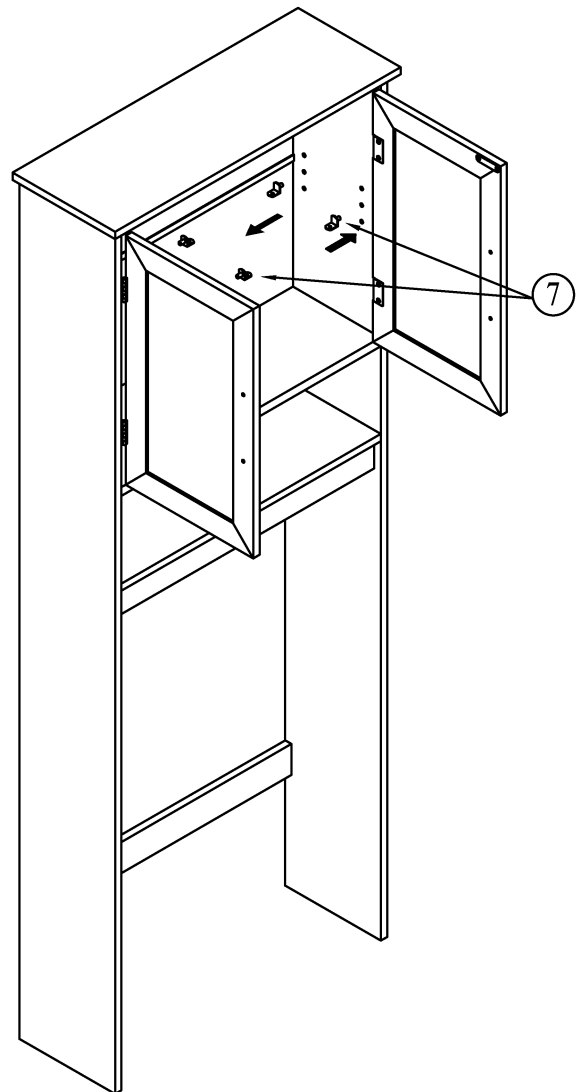
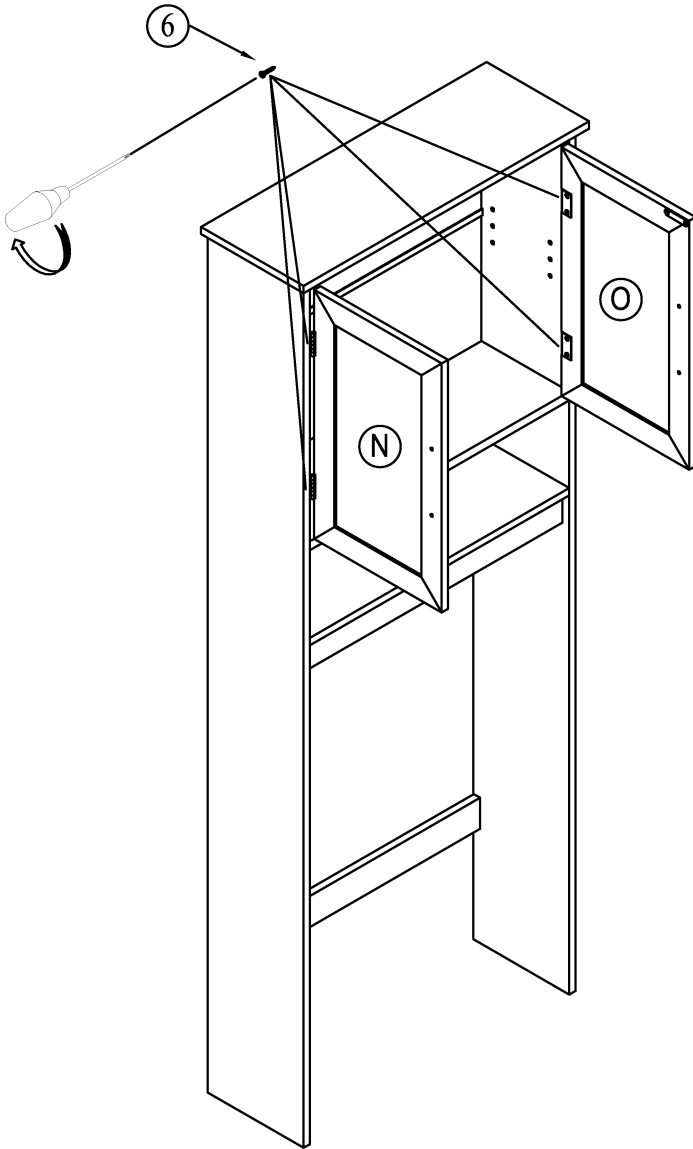
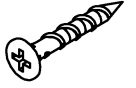
⑨



STEP 11

⑥

#3.5\*15mm  
SCREW  
8pcs

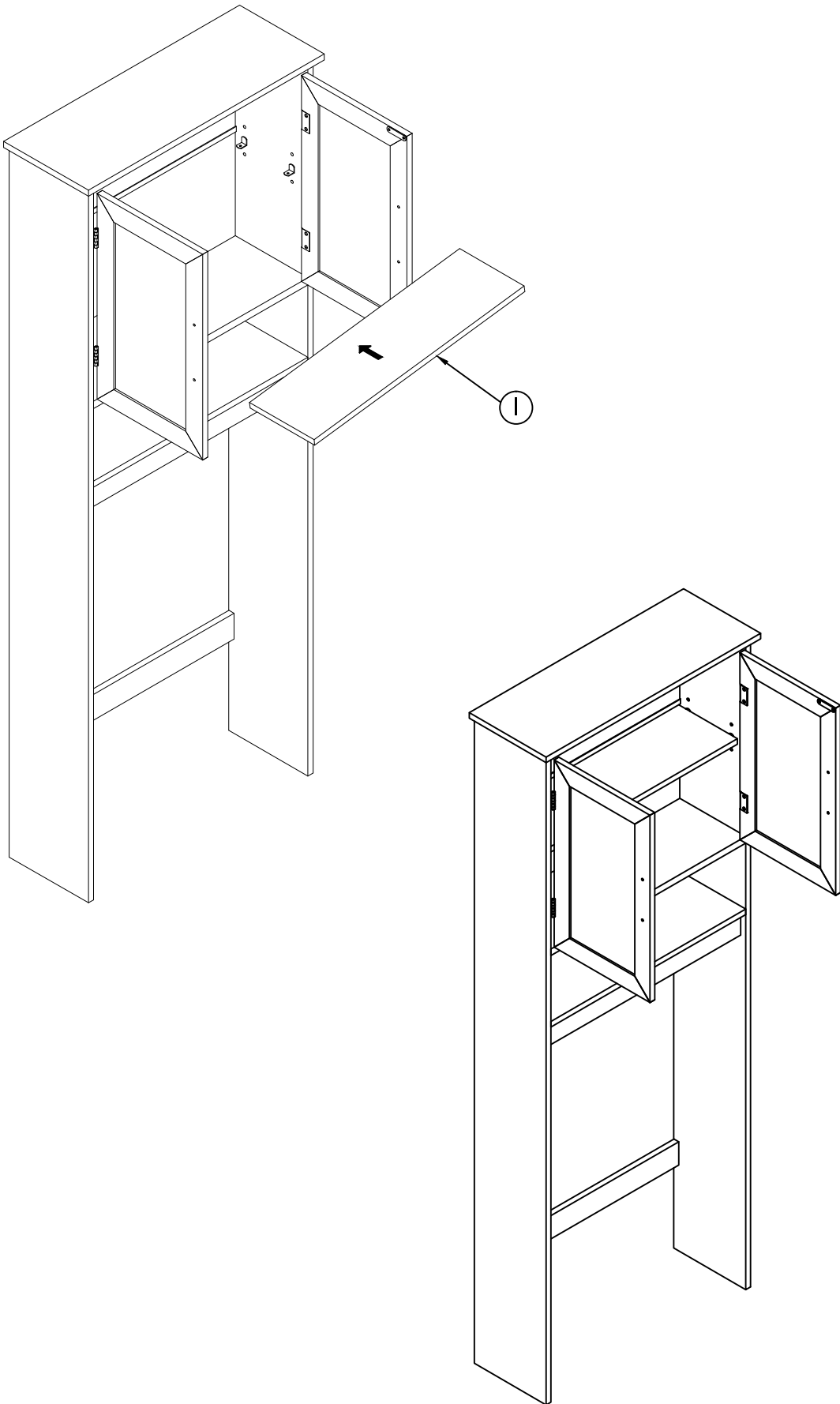


⑦

20x18x14mm  
SHELF PIN  
4pcs

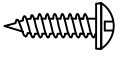


STEP 12

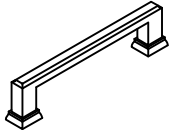


STEP 13

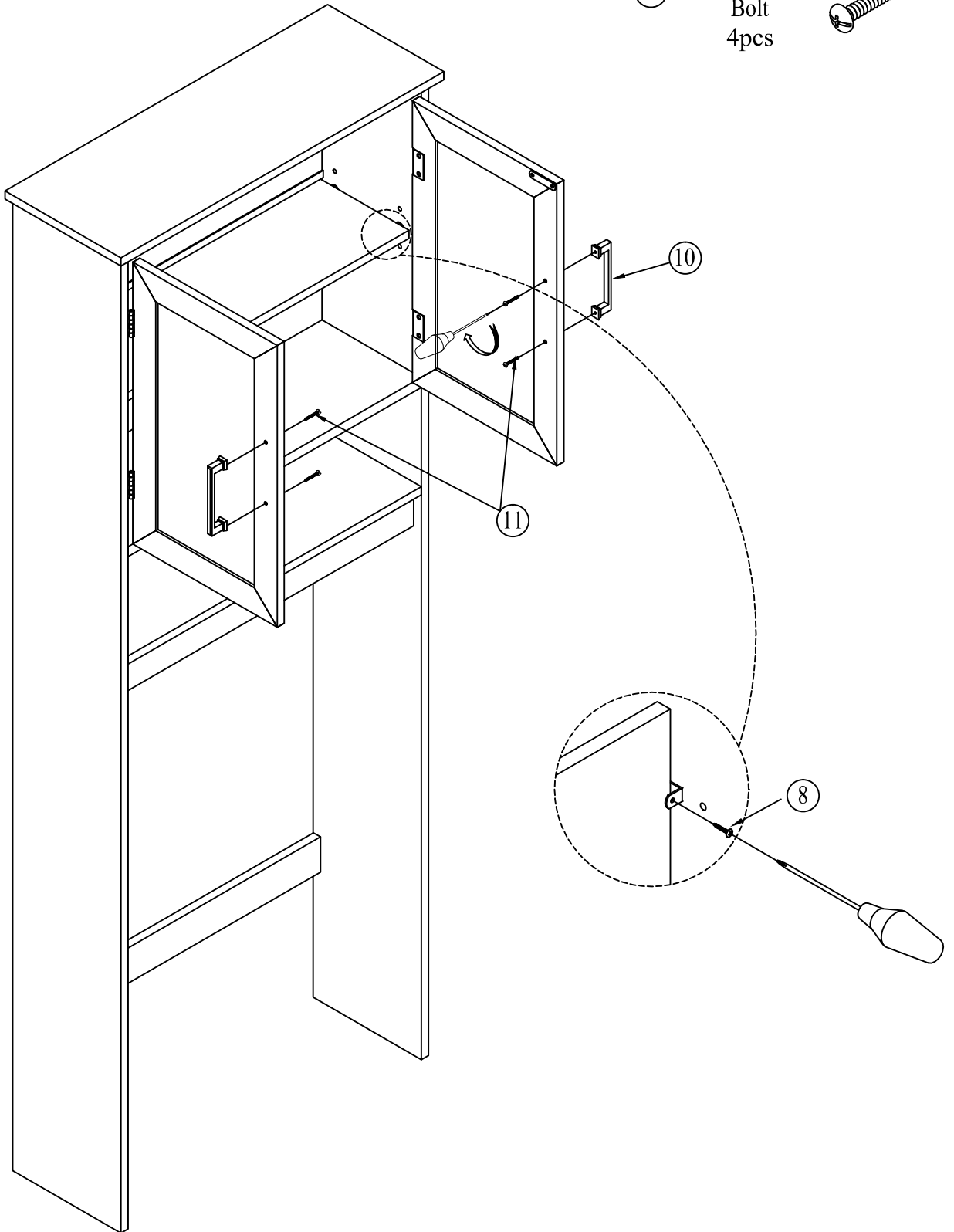
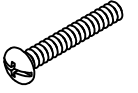
⑧ #3.5\*12  
SCREW  
4pcs



⑩ Handle  
2pcs



⑪ 5/32"\*22mm  
Bolt  
4pcs

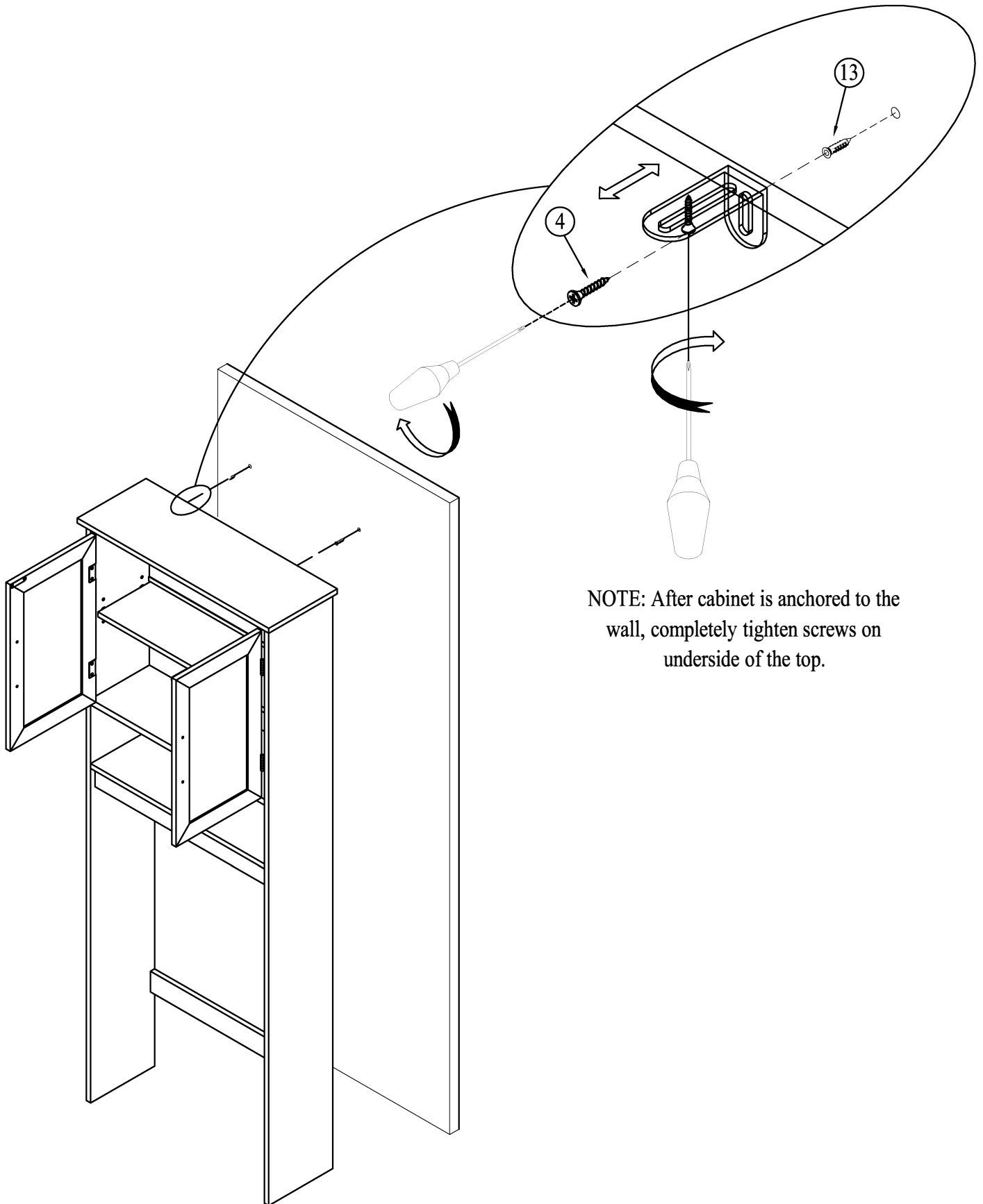


STEP 14

④ #4\*40mm  
SCREW  
2pcs



⑬ WALL ANCHOR  
2pcs



NOTE: After cabinet is anchored to the wall, completely tighten screws on underside of the top.