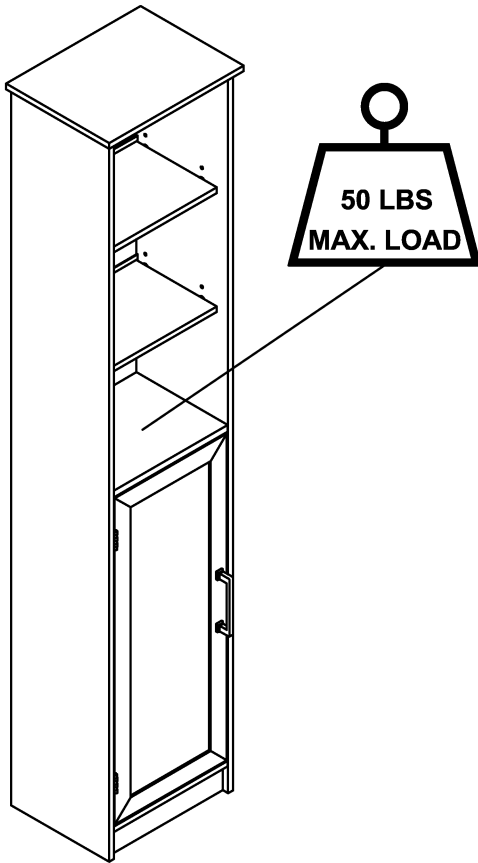


Thank you for your purchase!



FLOORSTANDING TALL LINEN CABINET

ASSEMBLY INSTRUCTIONS

Before You Begin: Phillips screwdriver is required for assembly (Not Included).

Please identify all component parts and hardware pieces required before you begin. Carefully remove all of the components from the packaging and set aside for assembly. Assemble on a soft surface to prevent scratching during assembly.

Caution:

Tighten all components securely before use. Failure to do so may result in personal injury. DO NOT use any sharp objects to open plastic wrapped components as damage to product or components may result.

Warning:

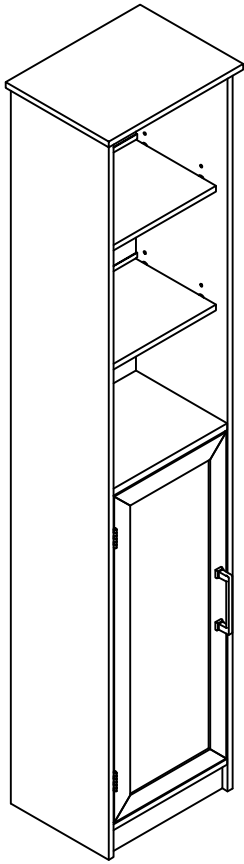
CHOKING HAZARD - Small Parts. Adult Assembly Required.

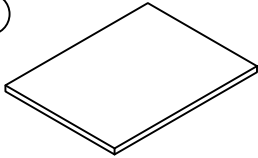
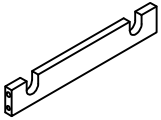
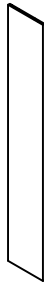

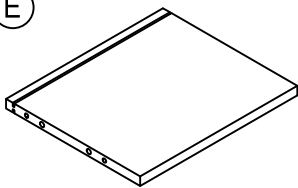
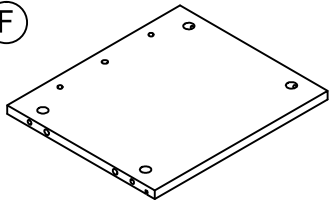
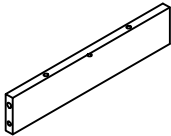
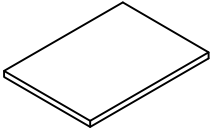
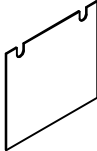
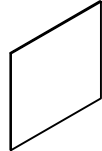
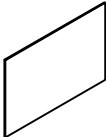

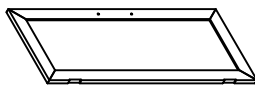
DO NOT ALLOW CHILDREN TO CLIMB ON FURNITURE

Serious or fatal injuries can occur from furniture tipping over. You must install Tipping Restraint Hardware (where included) to help prevent the unit from tipping and causing accidental injury, instability, death or damage. The tipping restraint is intended only as a safety measure, it is not a substitute for proper adult supervision.

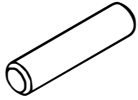



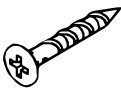

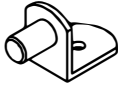
To help prevent furniture from tipping over it must be permanently attached to the wall. Anti-Tip Safety Wall Straps suitable for the unit weight and wall materials (if not included) should be purchased and installed.


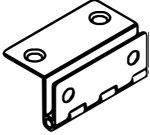
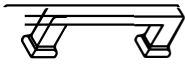

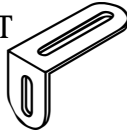
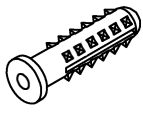
PARTS LIST



<p>(A)</p>  <p>TOP 1PC</p>	<p>(B)</p>  <p>UPPER REAR BRACE 1PC</p>
<p>(C)</p>  <p>LEFT SIDE 1PC</p>	<p>(D)</p>  <p>RIGHT SIDE 1PC</p>
<p>(E)</p>  <p>FIXED SHELF 1PC</p>	<p>(F)</p>  <p>BOTTOM 1PC</p>
<p>(G)</p>  <p>BOTTOM RAIL 1PC</p>	<p>(H)</p>  <p>ADJUSTABLE SHELF 3PCS</p>
<p>(I)</p>  <p>UPPER BACK PANEL 1PC</p>	<p>(J)</p>  <p>MIDDLE BACK PANEL 1PCS</p>
<p>(K)</p>  <p>LOWER BACK PANEL 1PCS</p>	<p>(L)</p>  <p>H CLIP 4PCS</p>
<p>(M)</p>  <p>DOOR 1PC</p>	

HARDWARE LIST

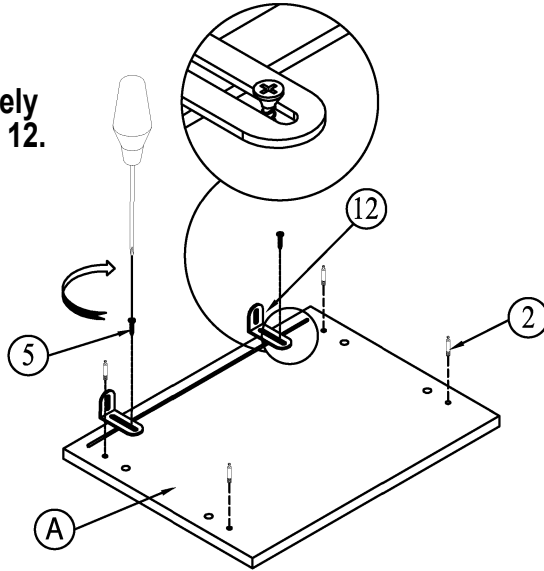
ITEM	DESCRIPTION	QTY
①	Ø8*30mm WOOD DOWELS 	17 pcs
②	Ø6*34mm CAMLOCK 	18 pcs
③	Ø15*9mm CAMLOCK 	18 pcs
④	#4*40mm SCREW 	2 pcs
⑤	#4*15mm SCREW 	2 pcs
⑥	#3.5*15mm SCREW 	10 pcs
⑦	20x18x14mm SHELF PIN 	12 pcs

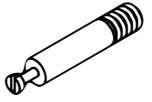
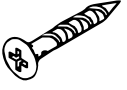
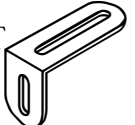
ITEM	DESCRIPTION	QTY
⑧	#3.5*12 SCREW 	12 pcs
⑨	HINGE 	2 pcs
⑩	HANDLE 	1 pc
⑪	5/32"*22mm BOLT 	2 pcs
⑫	METAL BRACKET 	2 pcs
⑬	WALL ANCHOR 	2 pcs

INSTALLATION

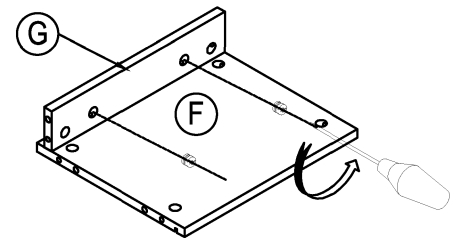
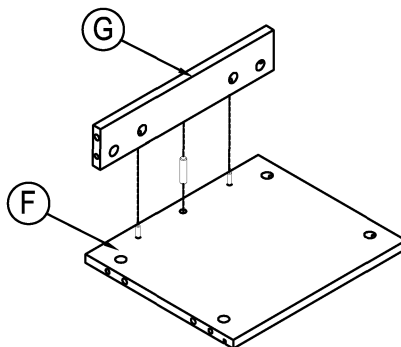
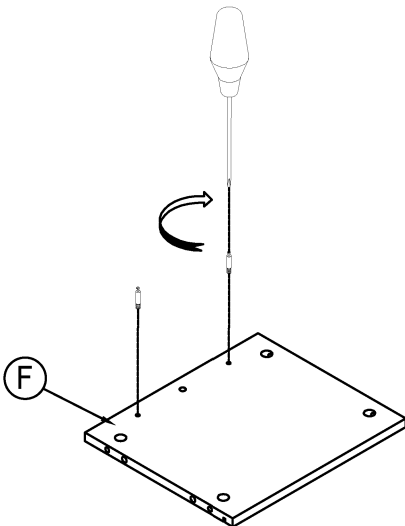
STEP 1

NOTE: Do not completely tighten screws on part 12.



- (2) Ø6*34mm CAMLOCK 4pcs 
- (5) #4*15mm SCREW 2pcs 
- (12) METAL BRACKET 2pcs 

STEP 2

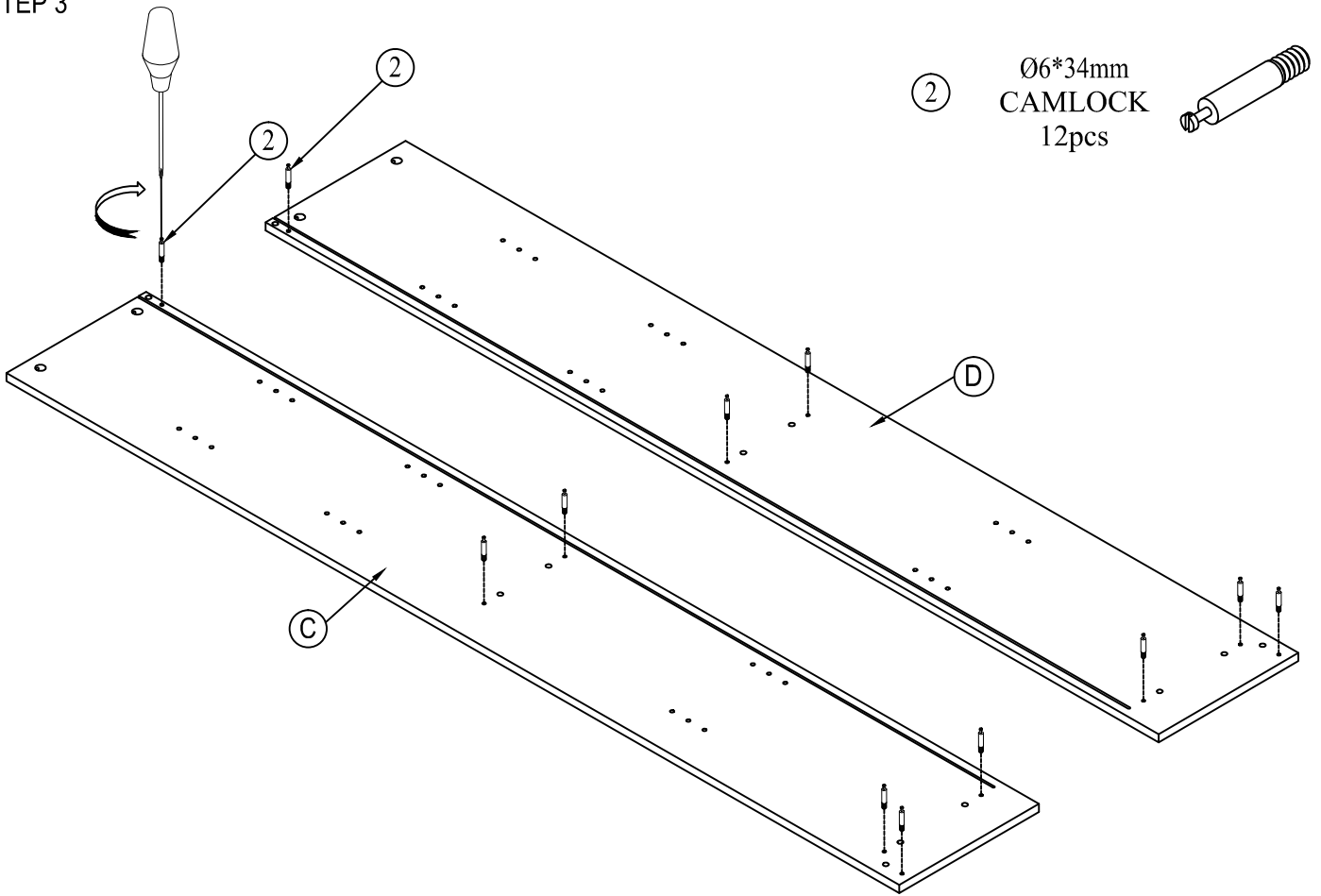


- (2) Ø6*34mm CAMLOCK 2pcs 

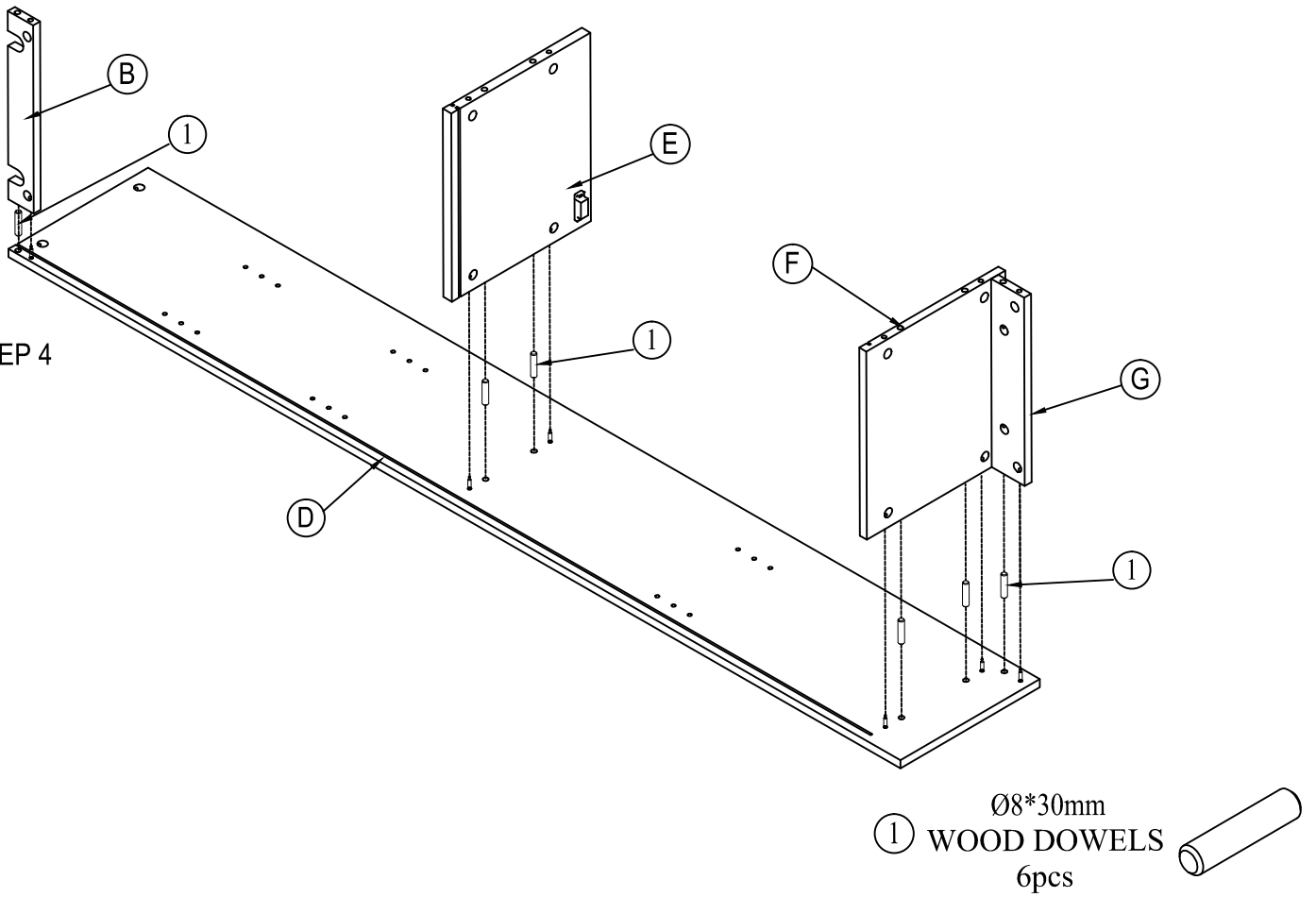
- (1) Ø8*30mm WOOD DOWELS 1pc 

- (3) Ø15*9mm CAMLOCK 2pcs 

STEP 3



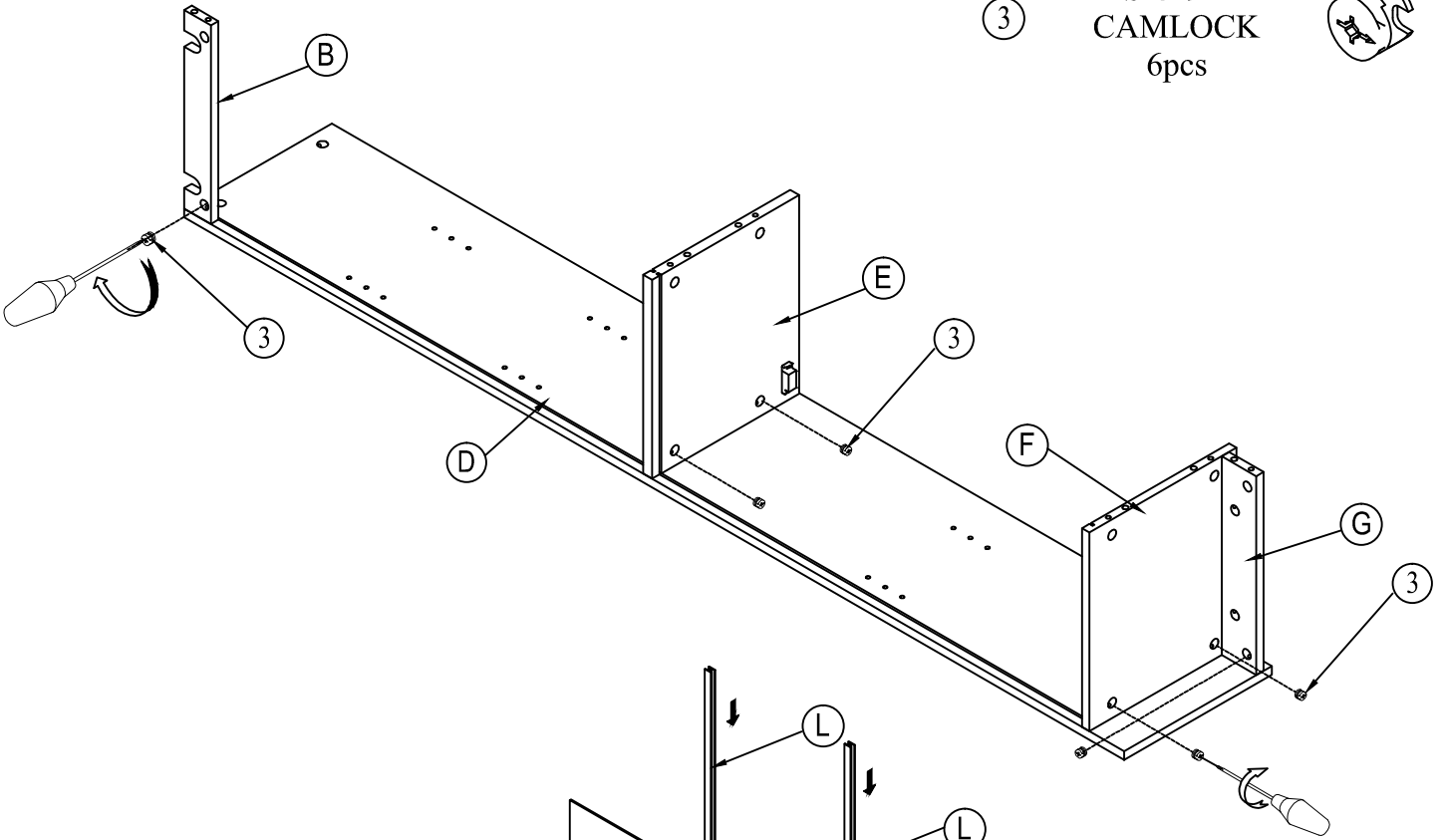
STEP 4



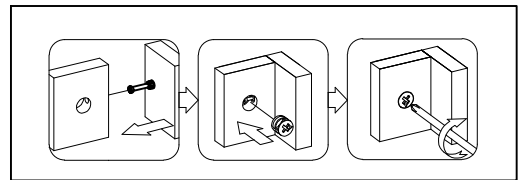
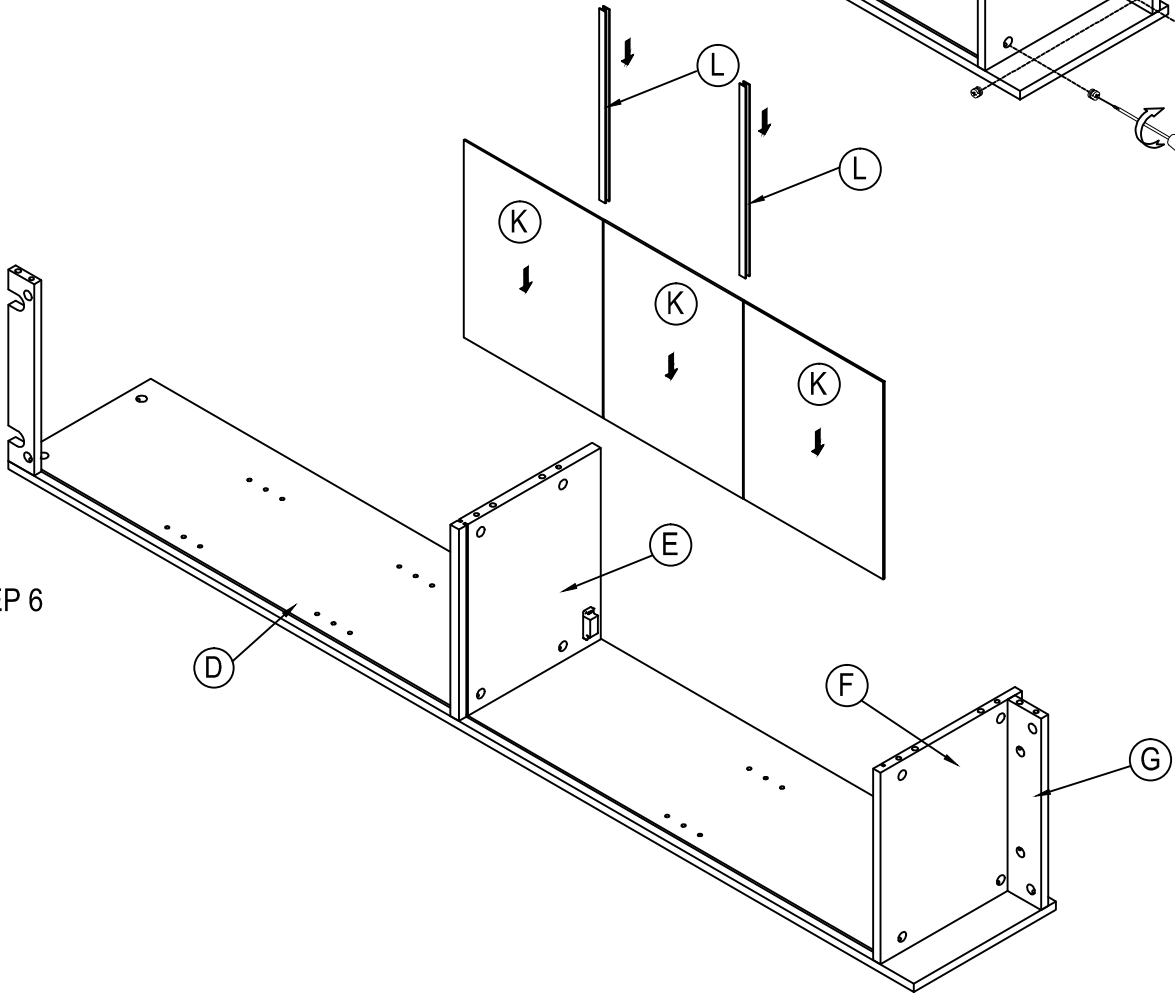
STEP 5

3

Ø15*9mm
CAMLOCK
6pcs

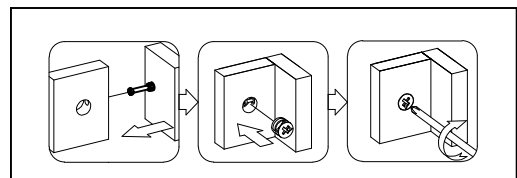
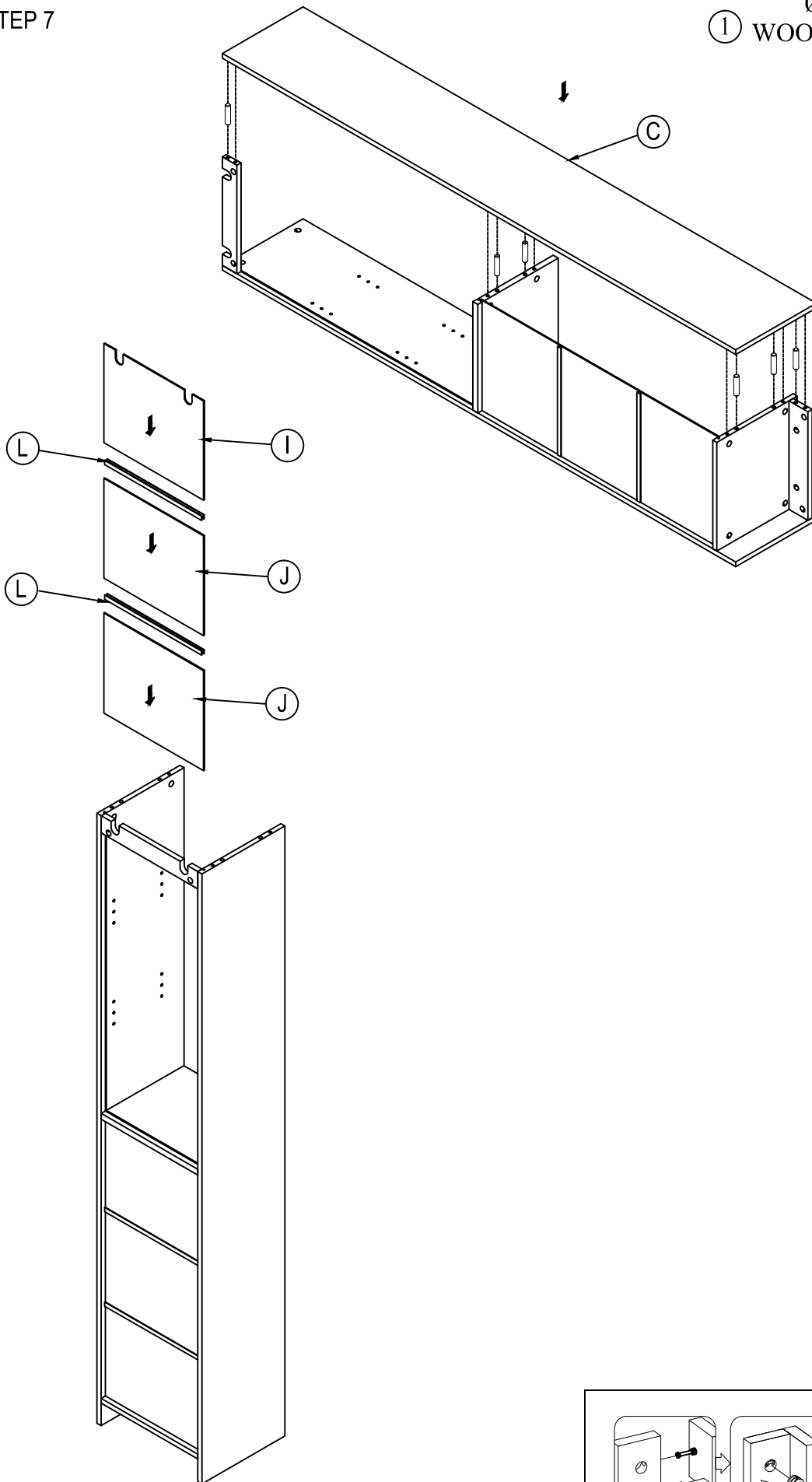
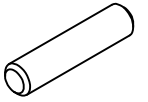


STEP 6

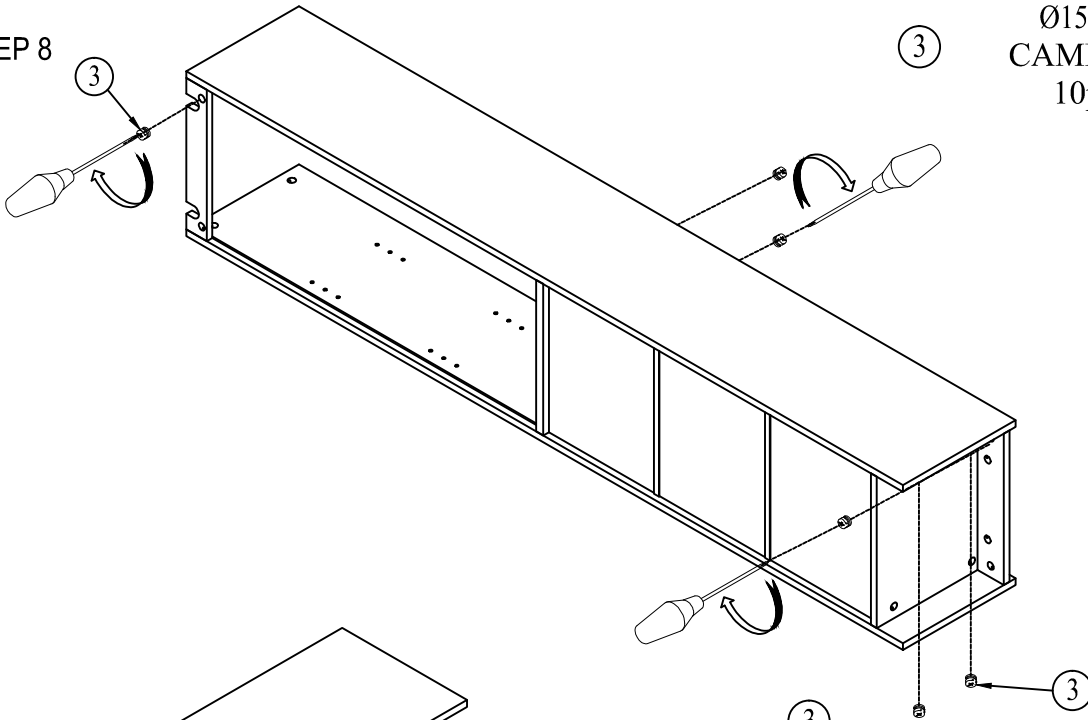


STEP 7

① Ø8*30mm
WOOD DOWELS
6pcs



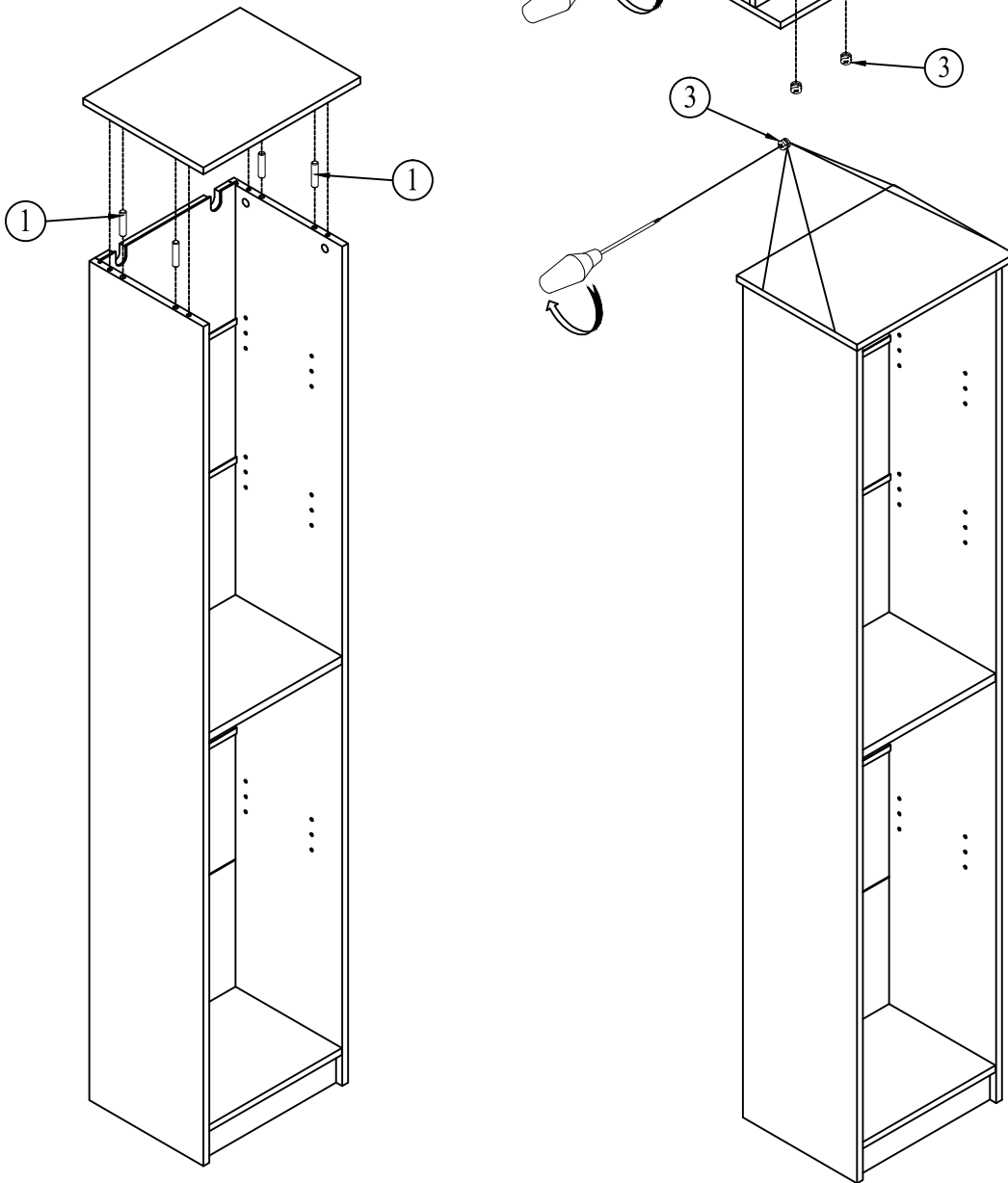
STEP 8



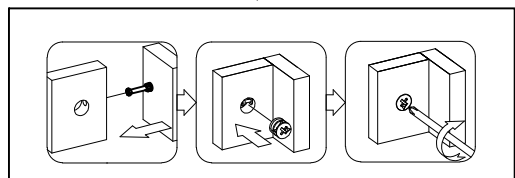
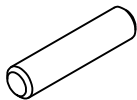
Ø15*9mm
CAMLOCK
10pcs



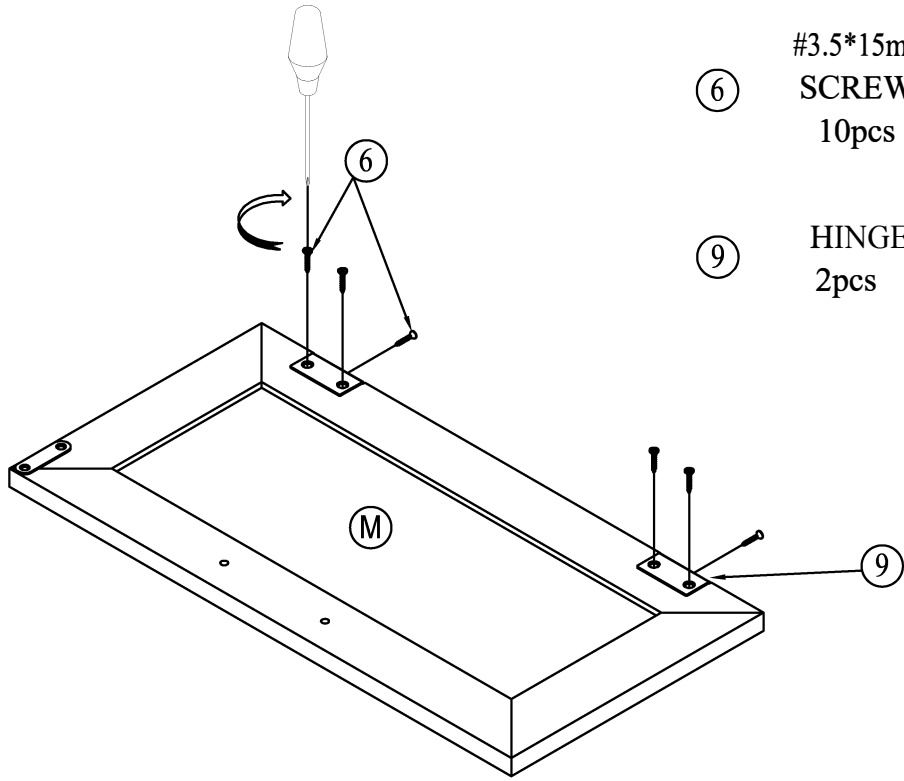
STEP 9



Ø8*30mm
WOOD DOWELS
4pcs



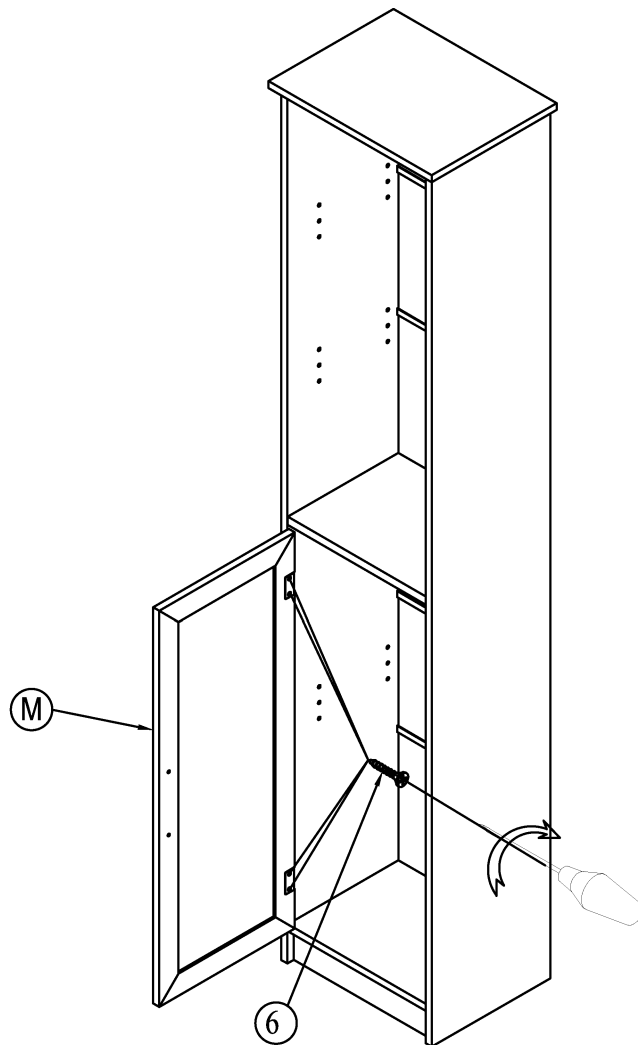
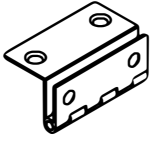
STEP 10



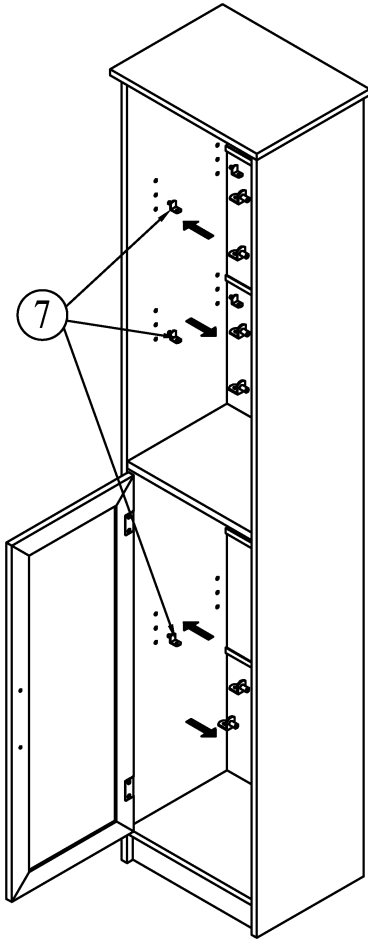
⑥ #3.5*15mm
SCREW
10pcs



⑨ HINGE
2pcs

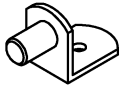


STEP 11

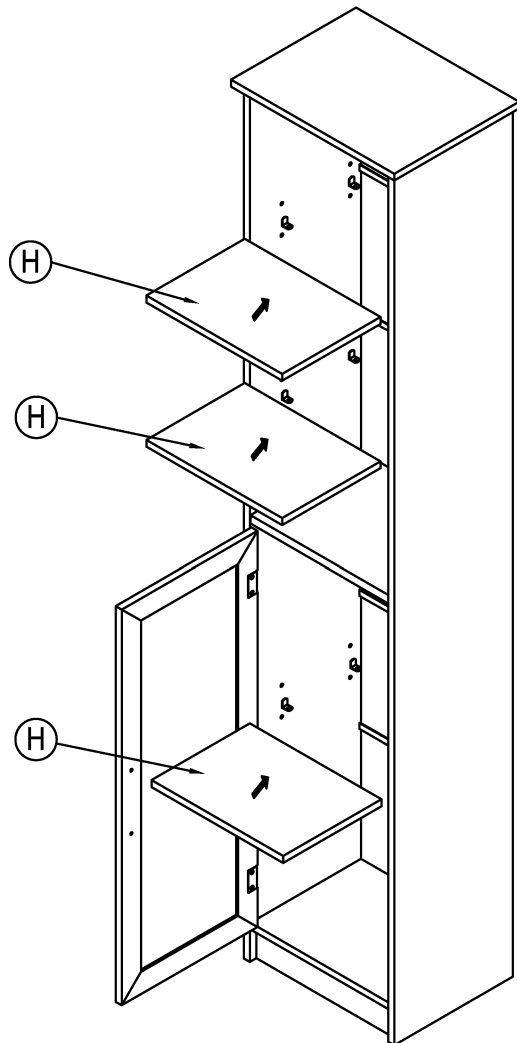


⑦

20x18x14mm
SHELF PIN
12pcs

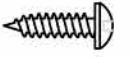


STEP 12



STEP 13

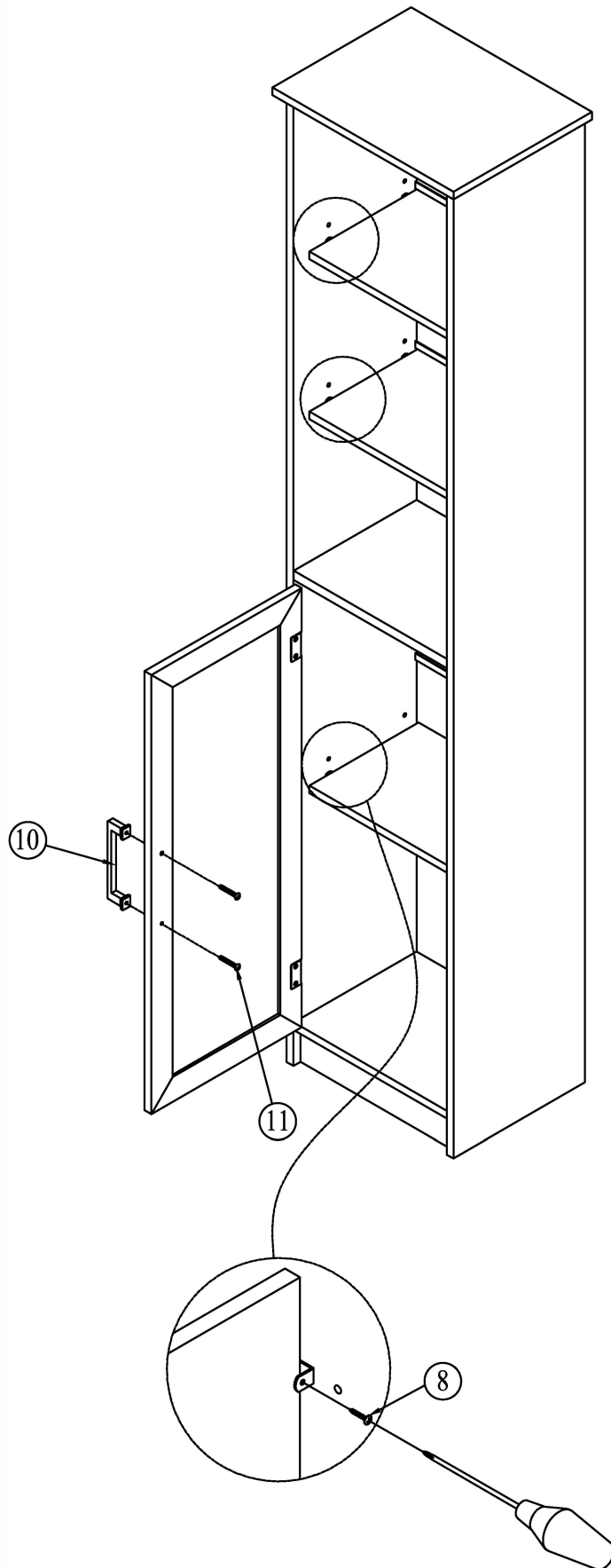
⑧ #3.5*12
SCREW
12pcs



⑩ HANDLE
1pc



⑪ 5/32"*22mm
BOLT
2pcs

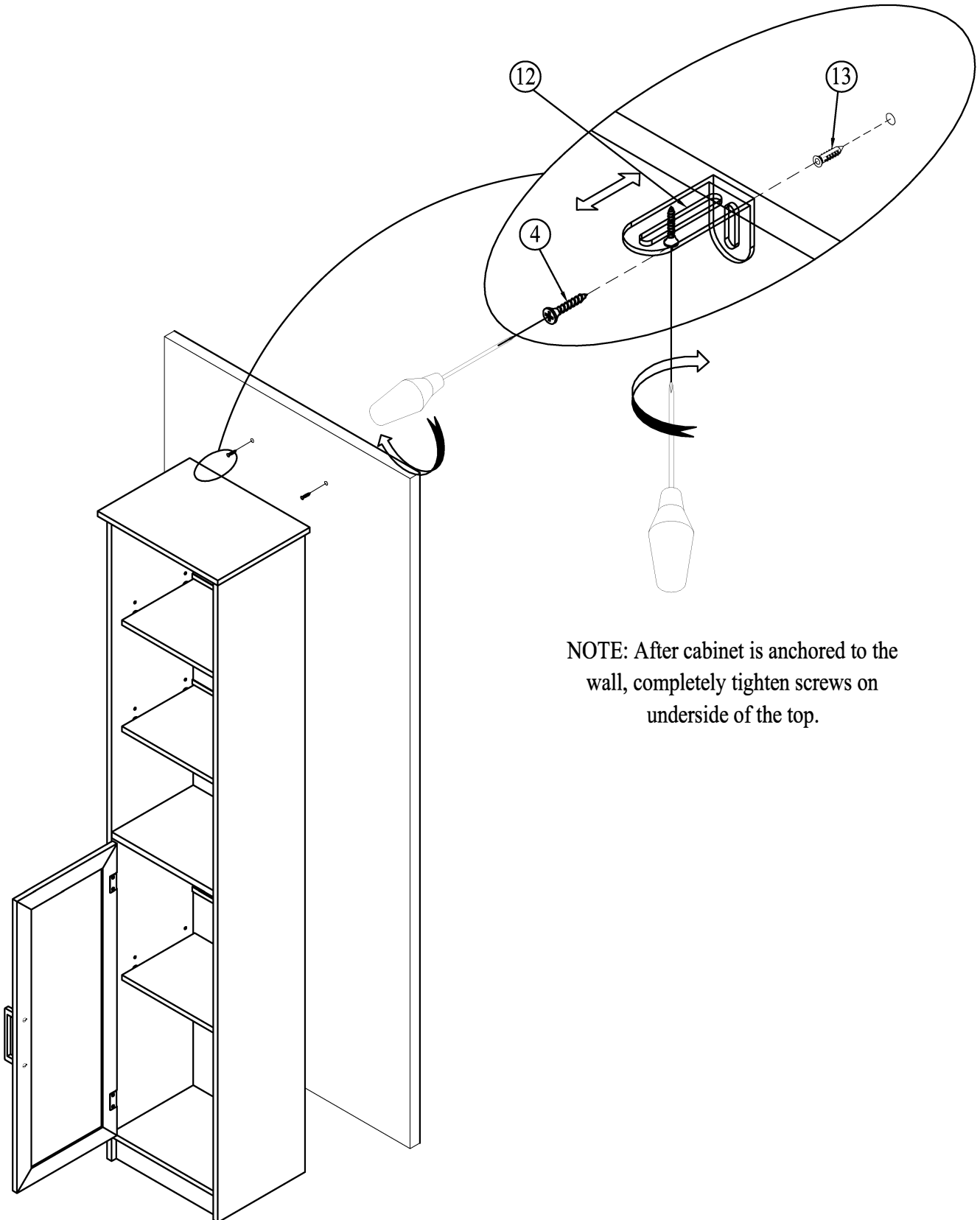


STEP 14

④ #4*40mm
SCREW
2pcs



⑬ WALL ANCHOR
2pcs



NOTE: After cabinet is anchored to the wall, completely tighten screws on underside of the top.