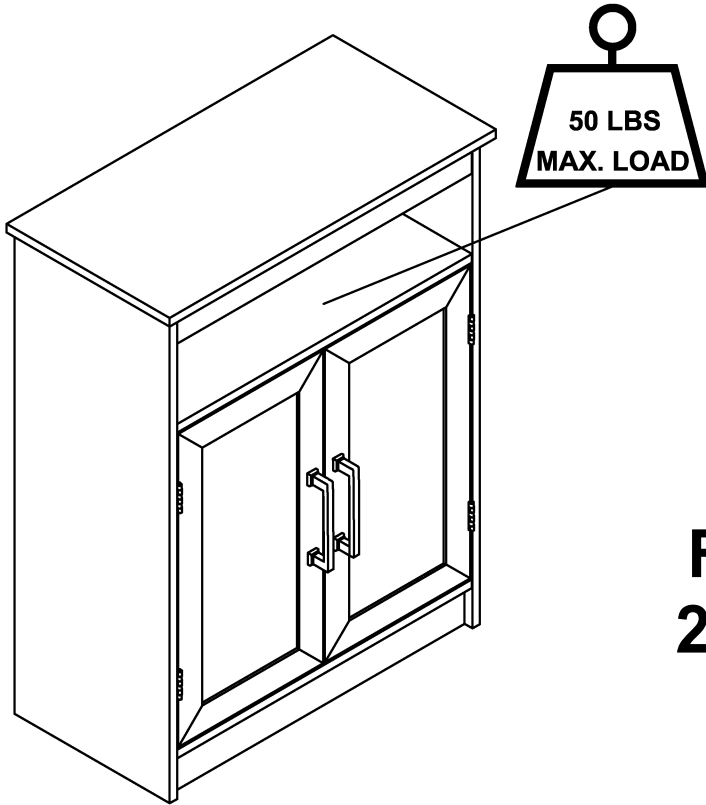


Thank you for your purchase!



## FLOORSTANDING 2 DOOR STORAGE CABINET

# ASSEMBLY INSTRUCTIONS

**Before You Begin:** Phillips screwdriver required for assembly (not included).

Please identify all component parts and hardware pieces required before you begin. Carefully remove all of the components from the packaging and set aside for assembly. Assemble on a soft surface to prevent scratching during assembly.

**Caution:**

Tighten all components securely before use. Failure to do so may result in personal injury. DO NOT use any sharp objects to open plastic wrapped components as damage to product or components may result.

**Warning:**

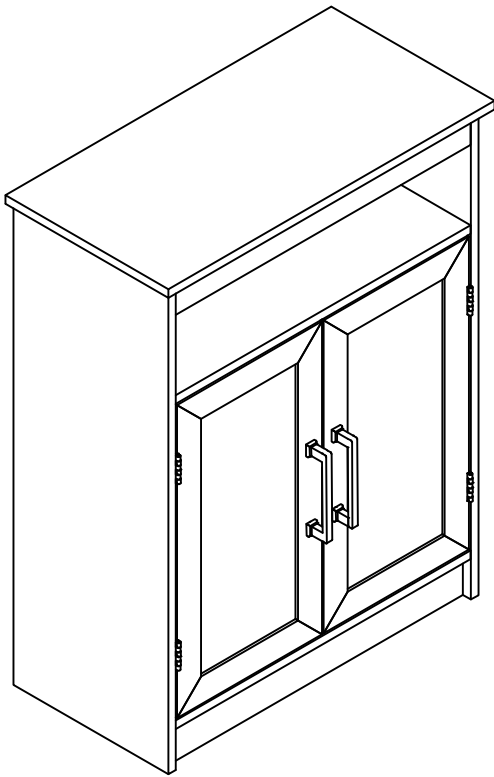
**CHOKING HAZARD** - Small Parts. Adult Assembly Required.

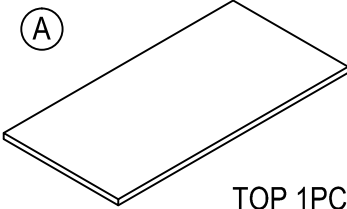
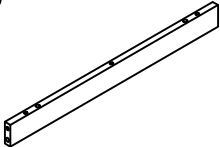

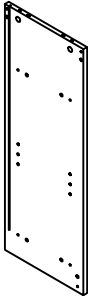
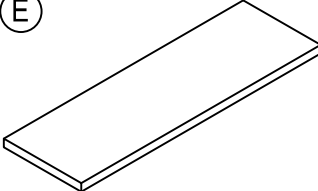
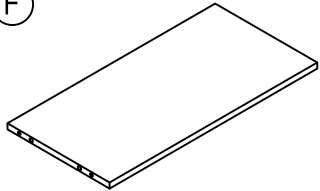
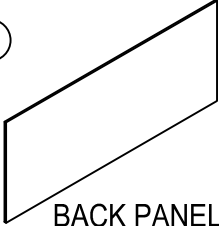
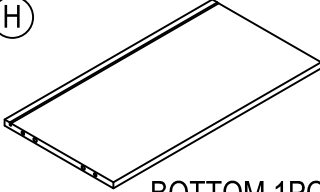
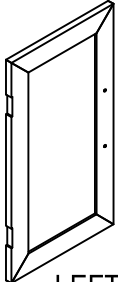
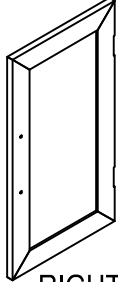
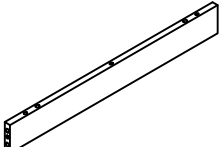
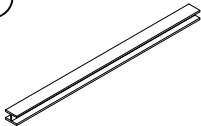
**DO NOT ALLOW CHILDREN TO CLIMB ON FURNITURE**

Serious or fatal injuries can occur from furniture tipping over. You must install Tipping Restraint Hardware (where included) to help prevent the unit from tipping and causing accidental injury, instability, death or damage. The tipping restraint is intended only as a safety measure, it is not a substitute for proper adult supervision.

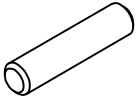
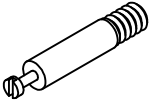

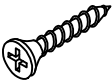
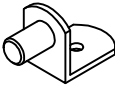

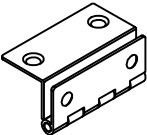
To help prevent furniture from tipping over it must be permanently attached to the wall. Anti-Tip Safety Wall Straps suitable for the unit weight and wall materials (if not included) should be purchased and installed.

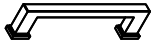

# PARTS LIST



<p>(A)</p>  <p>TOP 1PC</p>	<p>(B)</p>  <p>TABLE TOP BRACE 2PCS</p>
<p>(C)</p>  <p>LEFT SIDE 1PC</p>	<p>(D)</p>  <p>RIGHT SIDE 1PC</p>
<p>(E)</p>  <p>ADJUSTABLE SHELF 1PC</p>	<p>(F)</p>  <p>FIXED SHELF 1PC</p>
<p>(G)</p>  <p>BACK PANEL 3PCS</p>	<p>(H)</p>  <p>BOTTOM 1PC</p>
<p>(I)</p>  <p>LEFT DOOR 1PC</p>	<p>(J)</p>  <p>RIGHT DOOR 1PC</p>
<p>(K)</p>  <p>BOTTOM RAIL 1PC</p>	<p>(L)</p>  <p>H CLIP 2PCS</p>

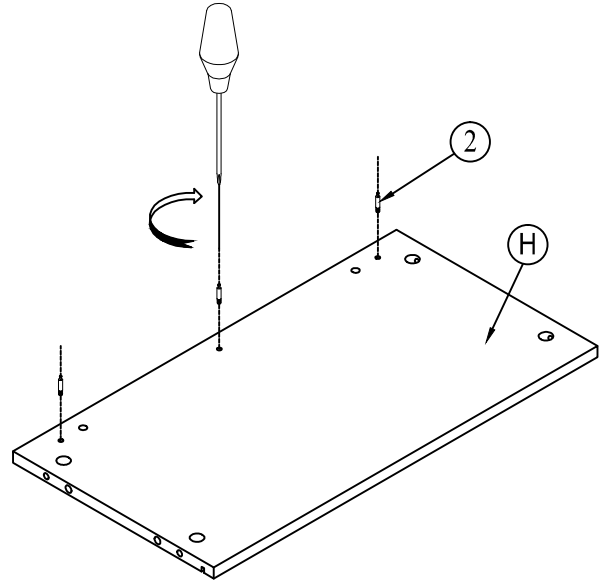
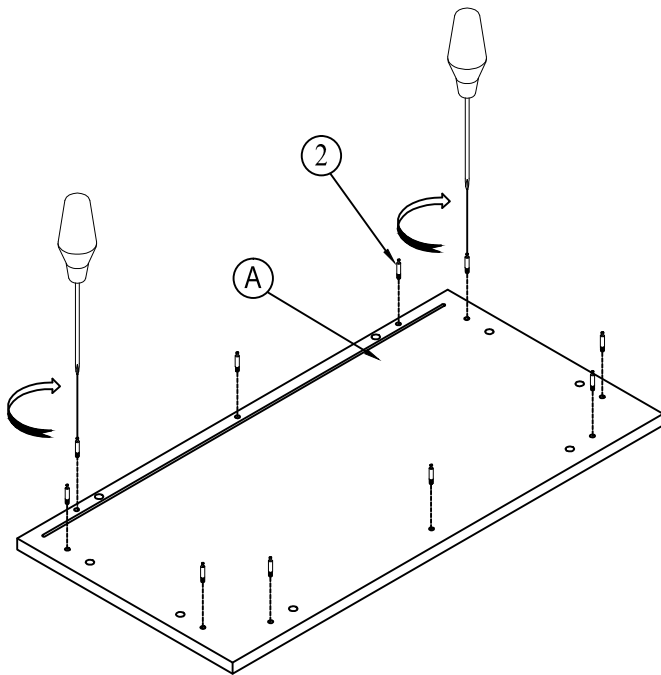
# HARDWARE LIST

ITEM	DESCRIPTION	QTY
①	Ø8*30mm WOOD DOWELS 	24 pcs
②	Ø6*34mm CAMLOCK 	27 pcs
③	Ø15*9mm CAMLOCK 	27 pcs
④	#3.5*15mm SCREW 	20 pcs
⑤	20x18x14mm Shelf Pin 	4 pcs
⑥	#3.5*12 SCREW 	4pcs
⑦	Hinge 	4 pcs

ITEM	DESCRIPTION	QTY
⑧	Handle 	2 pcs
⑨	5/32"*22mm Bolt 	4 pcs

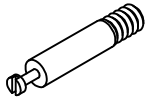
# INSTALLATION

## STEP 1

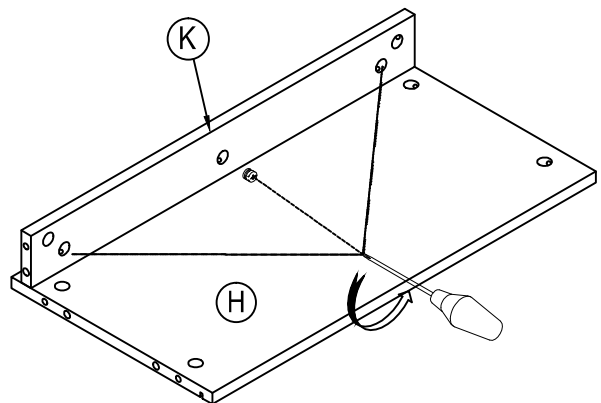
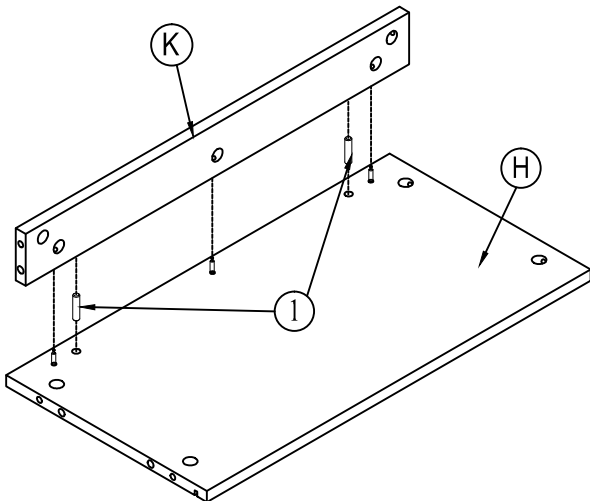


②

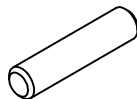
Ø6\*34mm  
CAMLOCK  
13pcs



## STEP 2



① Ø8\*30mm  
WOOD DOWELS  
2pcs



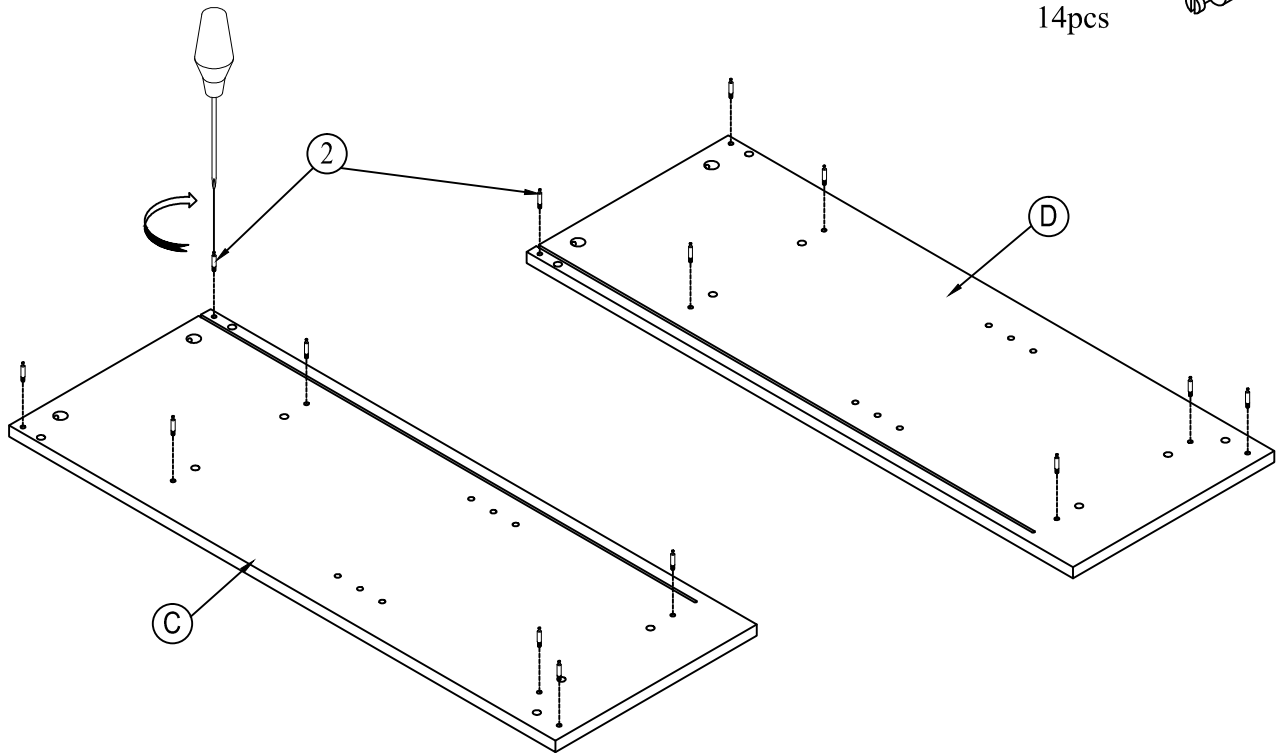
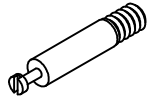
③ Ø15\*9mm  
CAMLOCK  
3pcs



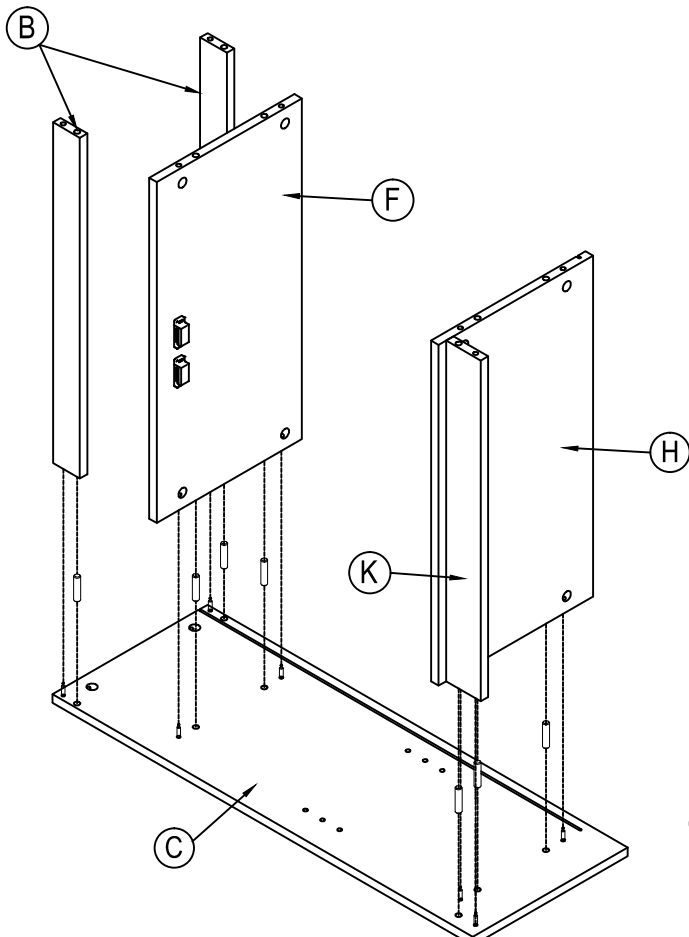
STEP 3

②

Ø6\*34mm  
CAMLOCK  
14pcs

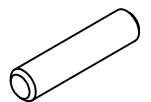


STEP 4

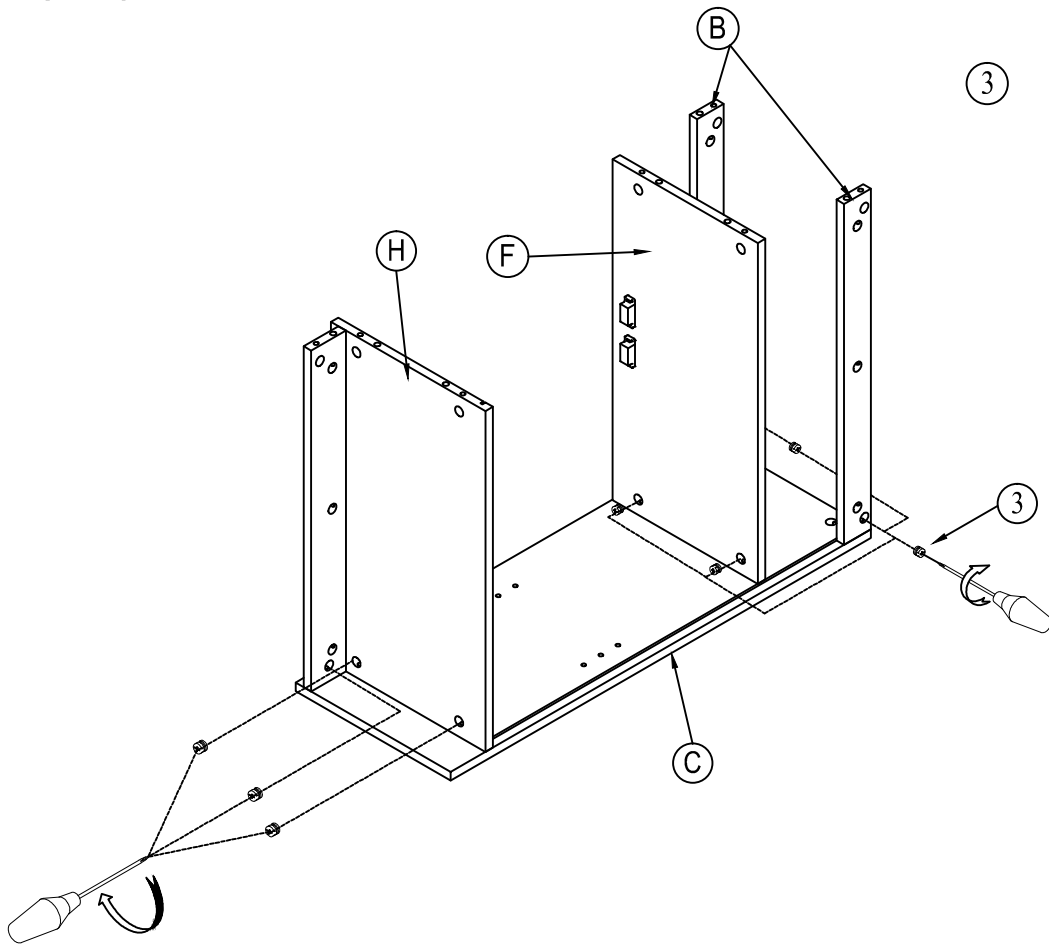


①

Ø8\*30mm  
WOOD DOWELS  
7pcs



STEP 5

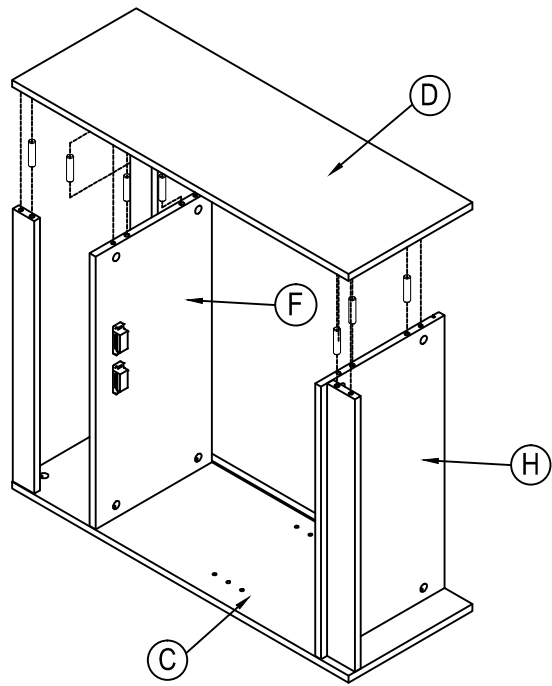


3

Ø15\*9mm  
CAMLOCK  
7pcs

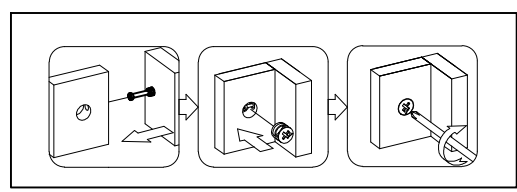
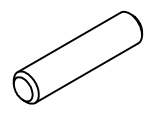


STEP 6

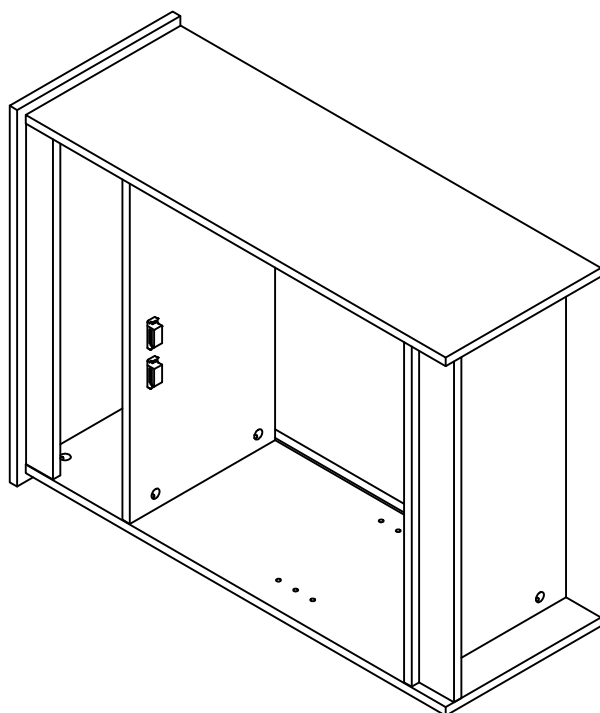


1

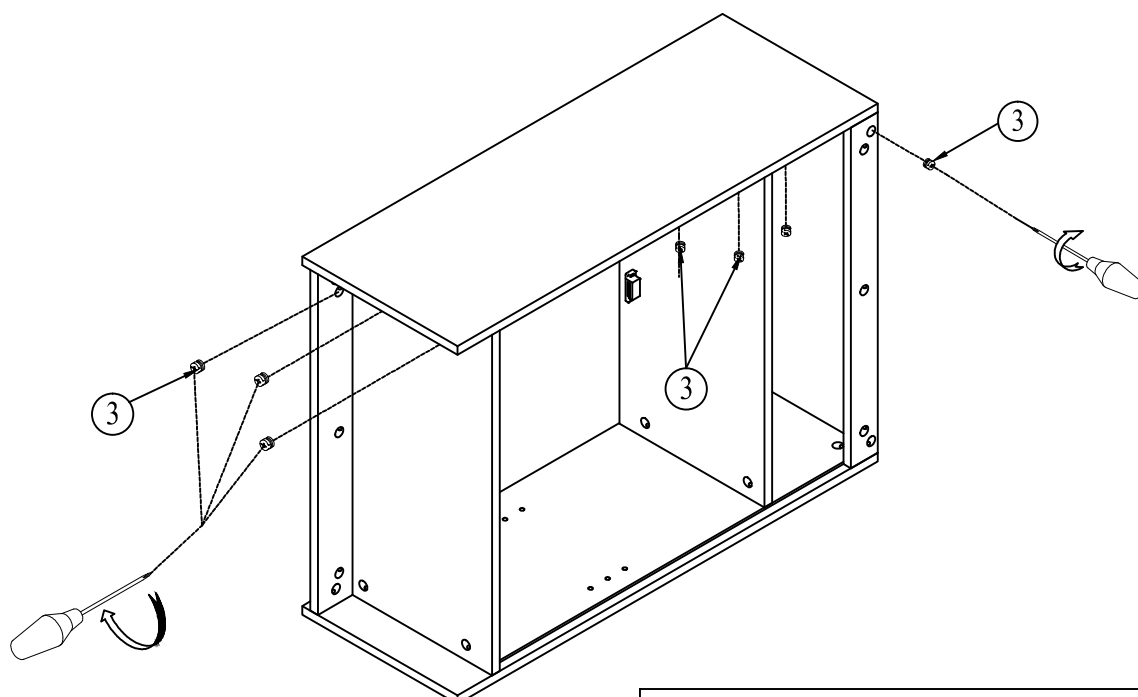
Ø8\*30mm  
WOOD DOWELS  
7pcs



STEP 7

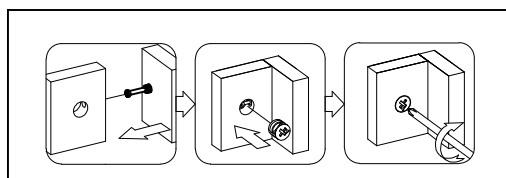


STEP 8

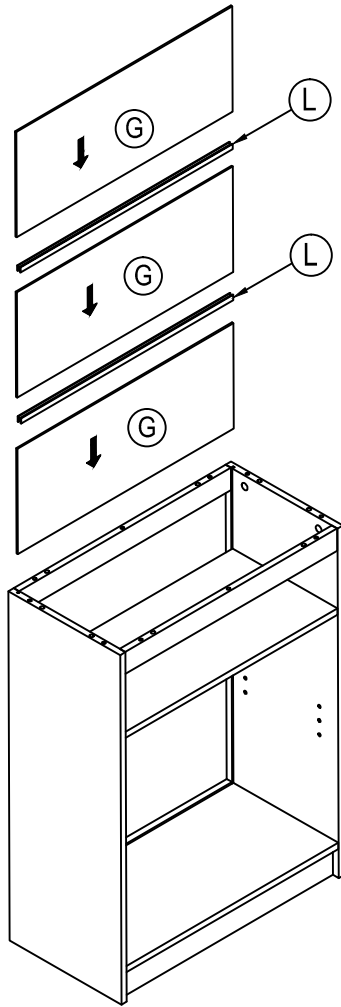


③

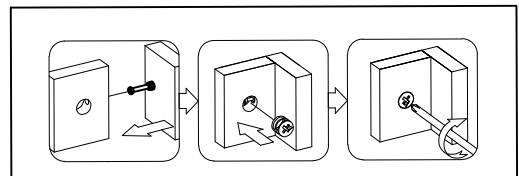
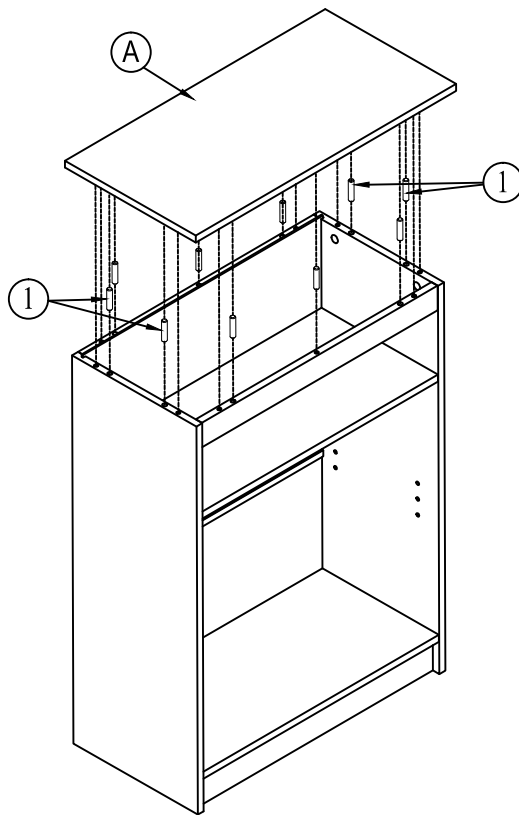
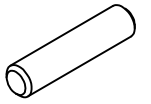
Ø15\*9mm  
CAMLOCK  
7pcs



STEP 9

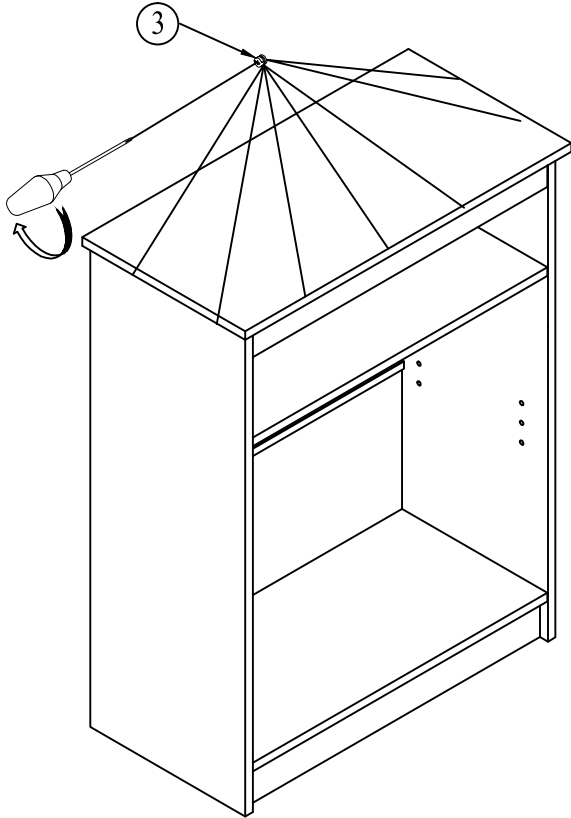


① Ø8\*30mm  
WOOD DOWELS  
8pcs



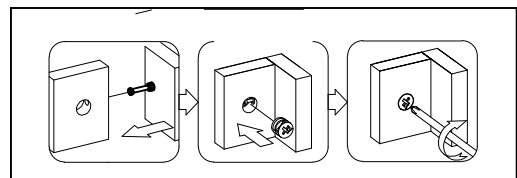
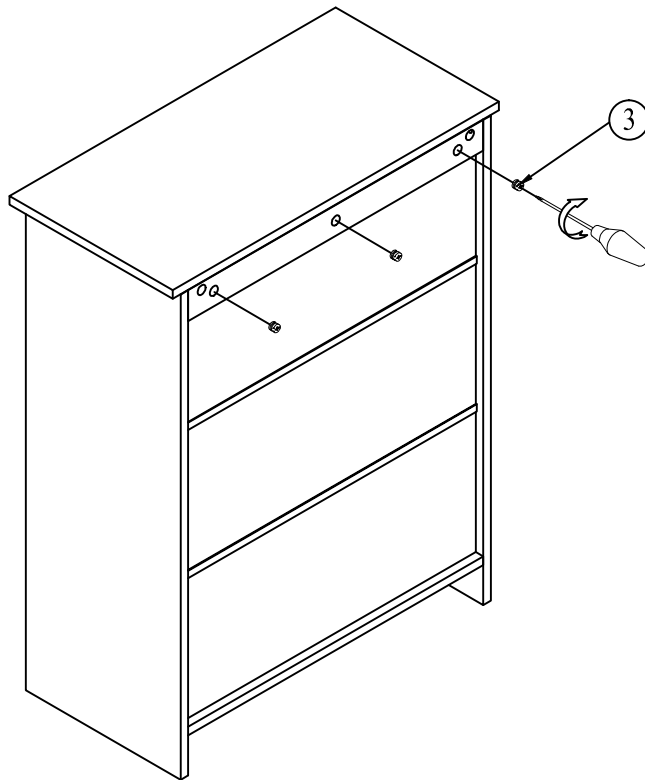


STEP 10



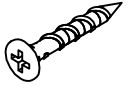
3

Ø15\*9mm  
CAMLOCK  
13pcs

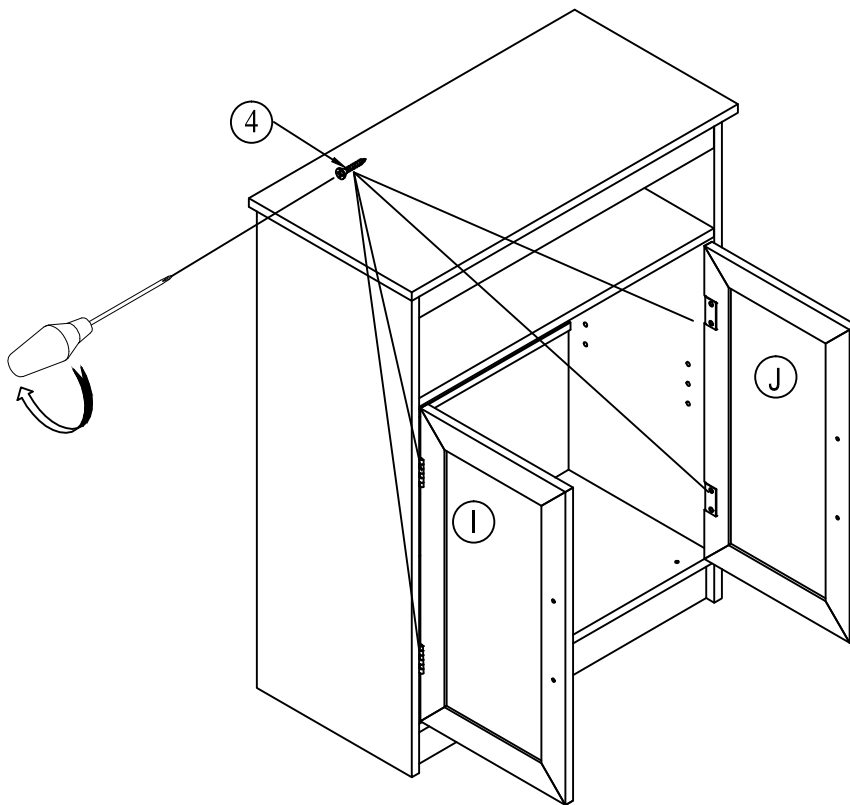
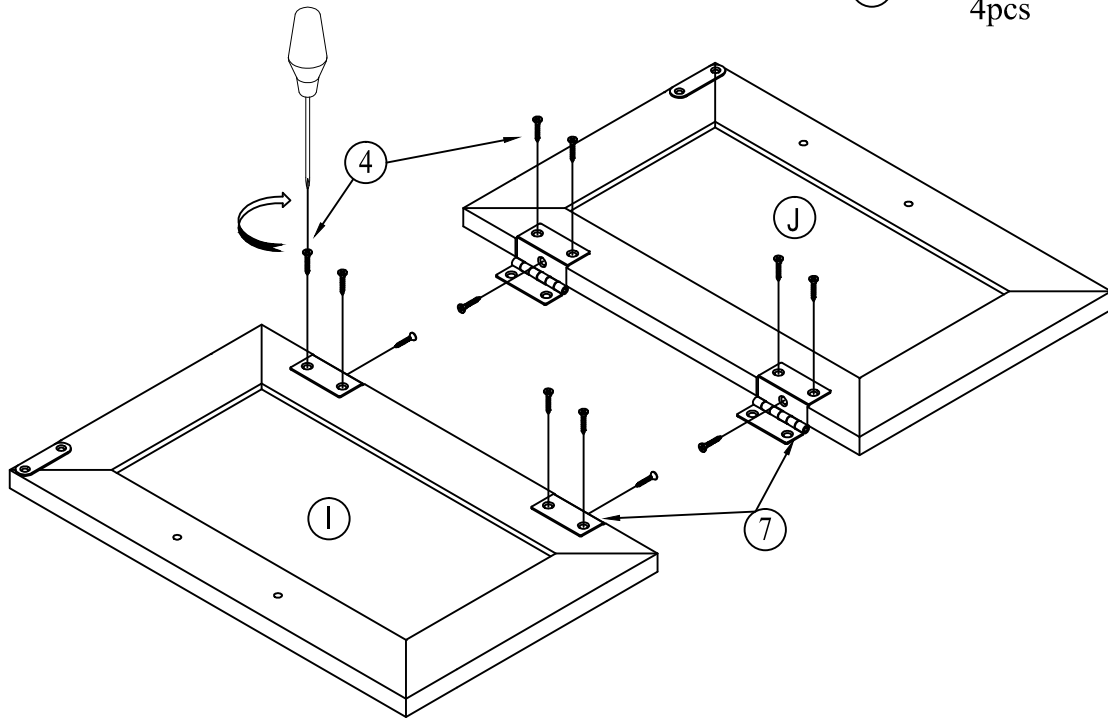
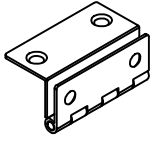


STEP 11

④ #3.5\*15mm  
SCREW  
20pcs



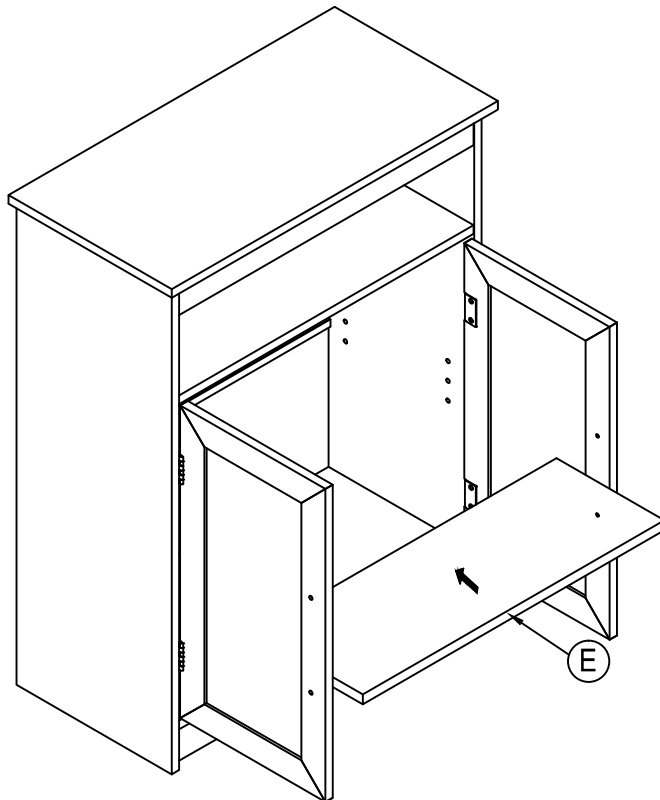
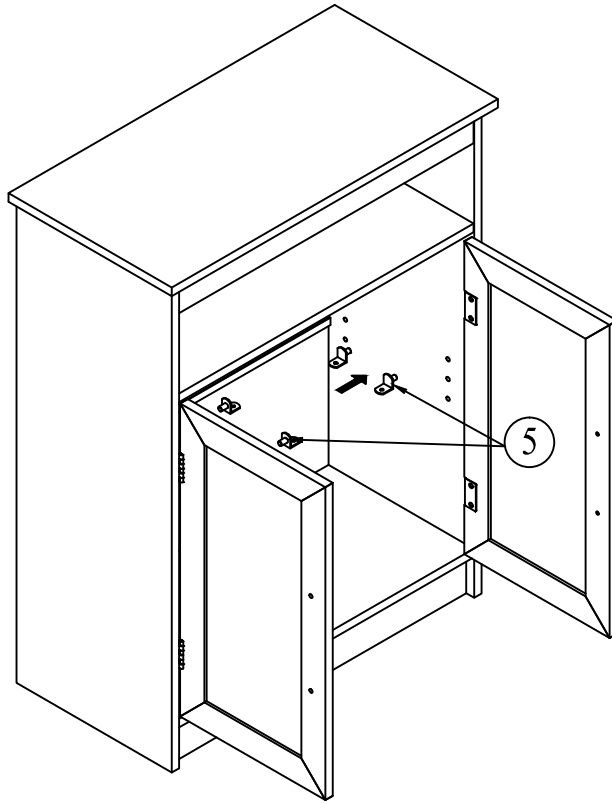
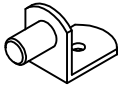
⑦ Hinge  
4pcs



STEP 12

⑤

20x18x14mm  
Shelf Pin  
4pcs

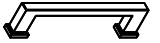


STEP 13

⑥ #3.5\*12  
SCREW  
4pcs



⑧ Handle  
2pcs



⑨ 5/32"\*22mm  
Bolt  
4pcs

