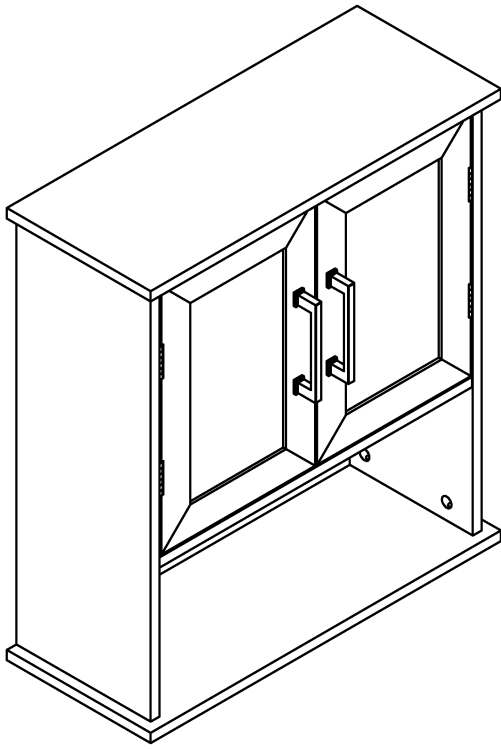


Thank you for your purchase!



BATHROOM MEDICINE CABINET

ASSEMBLY INSTRUCTIONS

Before You Begin: Phillips screwdriver required for assembly (not included).

Please identify all component parts and hardware pieces required before you begin. Carefully remove all of the components from the packaging and set aside for assembly. Assemble on a soft surface to prevent scratching during assembly.

Caution:

Tighten all components securely before use. Failure to do so may result in personal injury. DO NOT use any sharp objects to open plastic wrapped components as damage to product or components may result.

Warning:

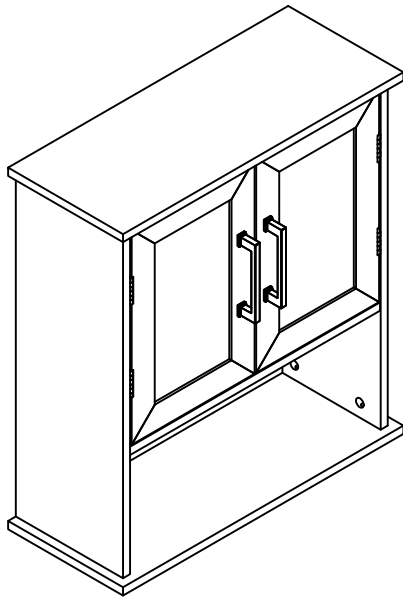
CHOKING HAZARD - Small Parts. Adult Assembly Required.

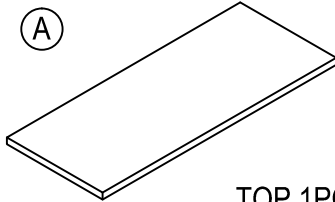
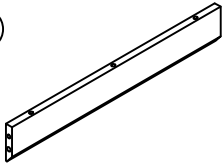
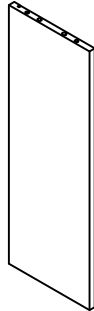
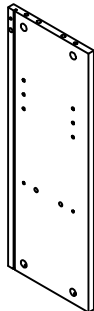
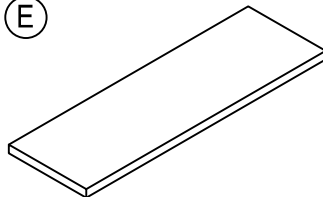
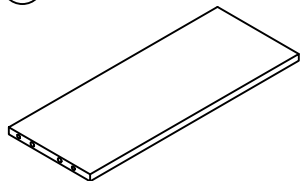
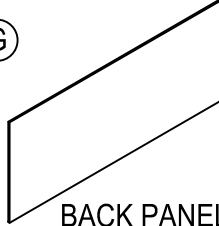
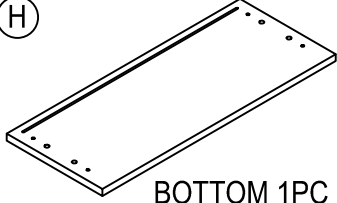
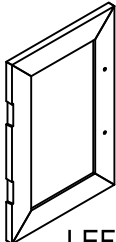
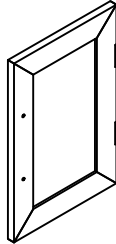
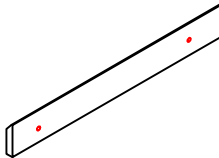
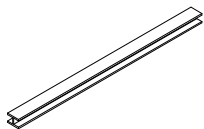
DO NOT ALLOW CHILDREN TO CLIMB ON FURNITURE

Serious or fatal injuries can occur from furniture tipping over. You must install Tipping Restraint Hardware (where included) to help prevent the unit from tipping and causing accidental injury, instability, death or damage. The tipping restraint is intended only as a safety measure, it is not a substitute for proper adult supervision.

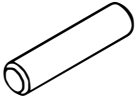
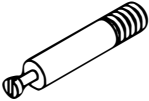


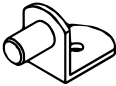

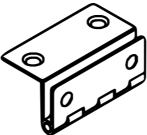
To help prevent furniture from tipping over it must be permanently attached to the wall. Anti-Tip Safety Wall Straps suitable for the unit weight and wall materials (if not included) should be purchased and installed.

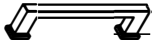

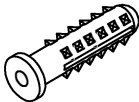

PARTS LIST



<p>(A)</p>  <p>TOP 1PC</p>	<p>(B)</p>  <p>UPPER REAR BRACE 1PC</p>
<p>(C)</p>  <p>LEFT SIDE 1PC</p>	<p>(D)</p>  <p>RIGHT SIDE 1PC</p>
<p>(E)</p>  <p>ADJUSTABLE SHELF 1PC</p>	<p>(F)</p>  <p>FIXED SHELF 1PC</p>
<p>(G)</p>  <p>BACK PANEL 3PCS</p>	<p>(H)</p>  <p>BOTTOM 1PC</p>
<p>(I)</p>  <p>LEFT DOOR 1PC</p>	<p>(J)</p>  <p>RIGHT DOOR 1PC</p>
<p>(K)</p>  <p>HANGING RAIL 1PC</p>	<p>(L)</p>  <p>H CLIP 2PCS</p>

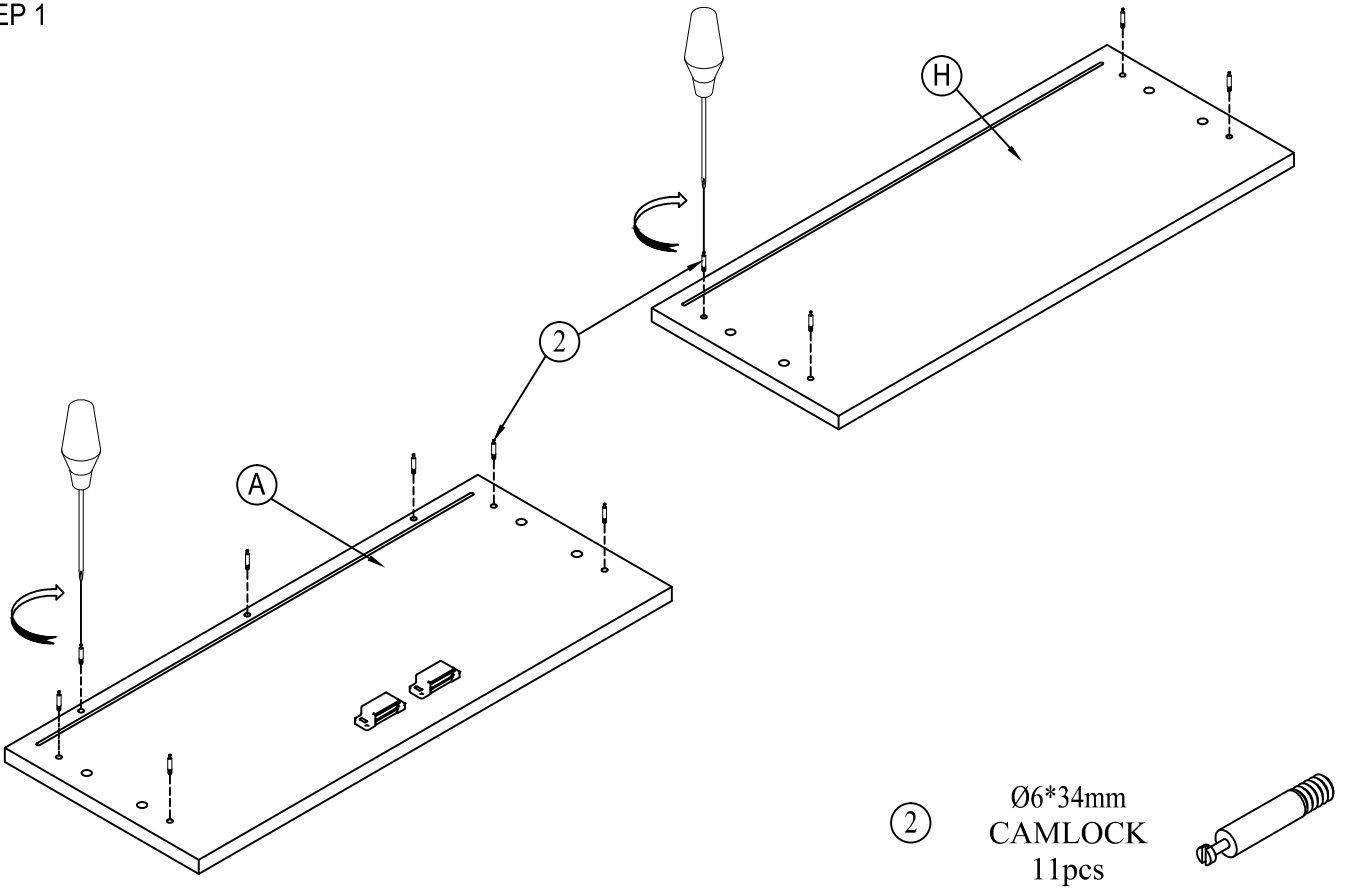
HARDWARE LIST

ITEM	DESCRIPTION	QTY
①	Ø8*30mm WOOD DOWELS 	14 pcs
②	Ø6*34mm CAMLOCK 	17 pcs
③	Ø15*9mm CAMLOCK 	17 pcs
④	#3.5*15mm SCREW 	20 pcs
⑤	20x18x14mm SHELF PIN 	4 pcs
⑥	#3.5*12 SCREW 	4pcs
⑦	HINGE 	4 pcs

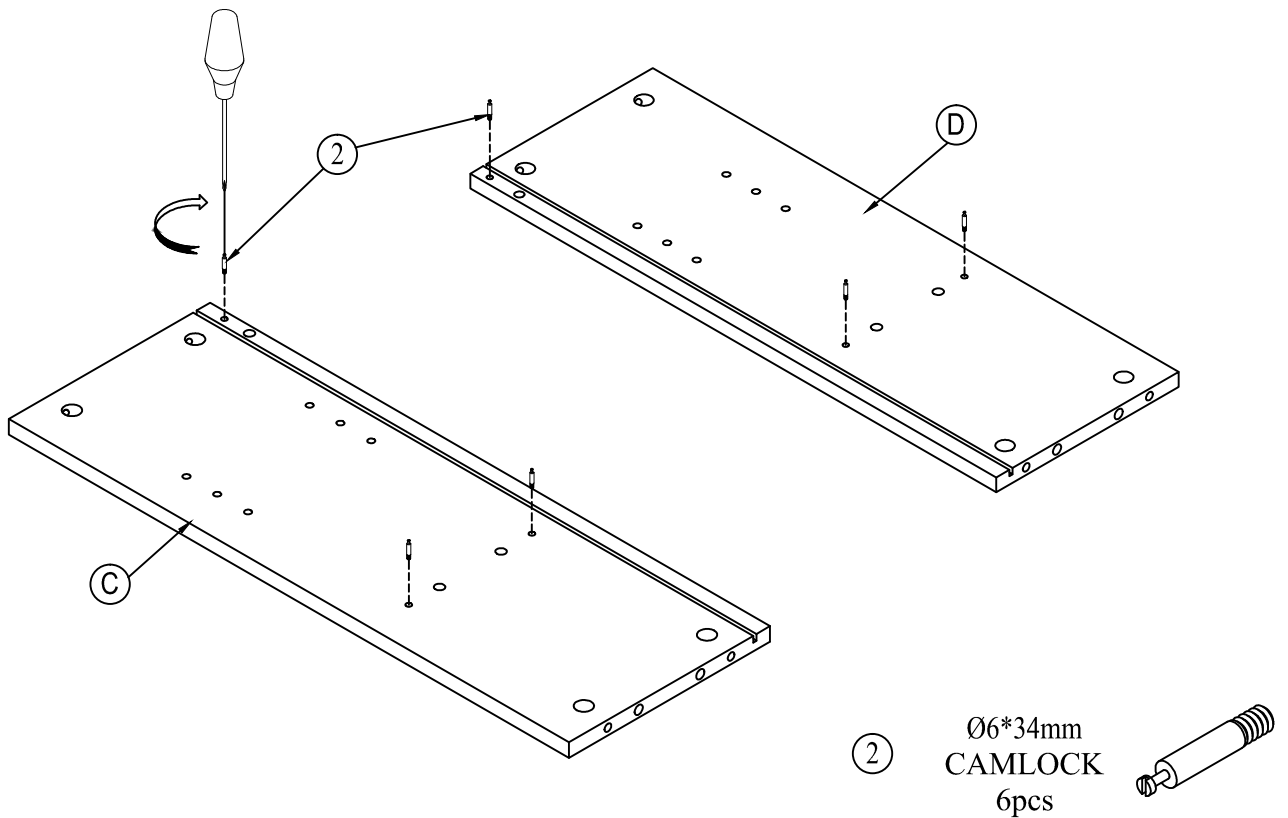
ITEM	DESCRIPTION	QTY
⑧	HANDLE 	2 pcs
⑨	5/32"*22mm BOLT 	4 pcs
⑩	WALL ANCHOR 	2 pcs
⑪	#3.5*40mm SCREW 	2 pcs

INSTALLATION

STEP 1



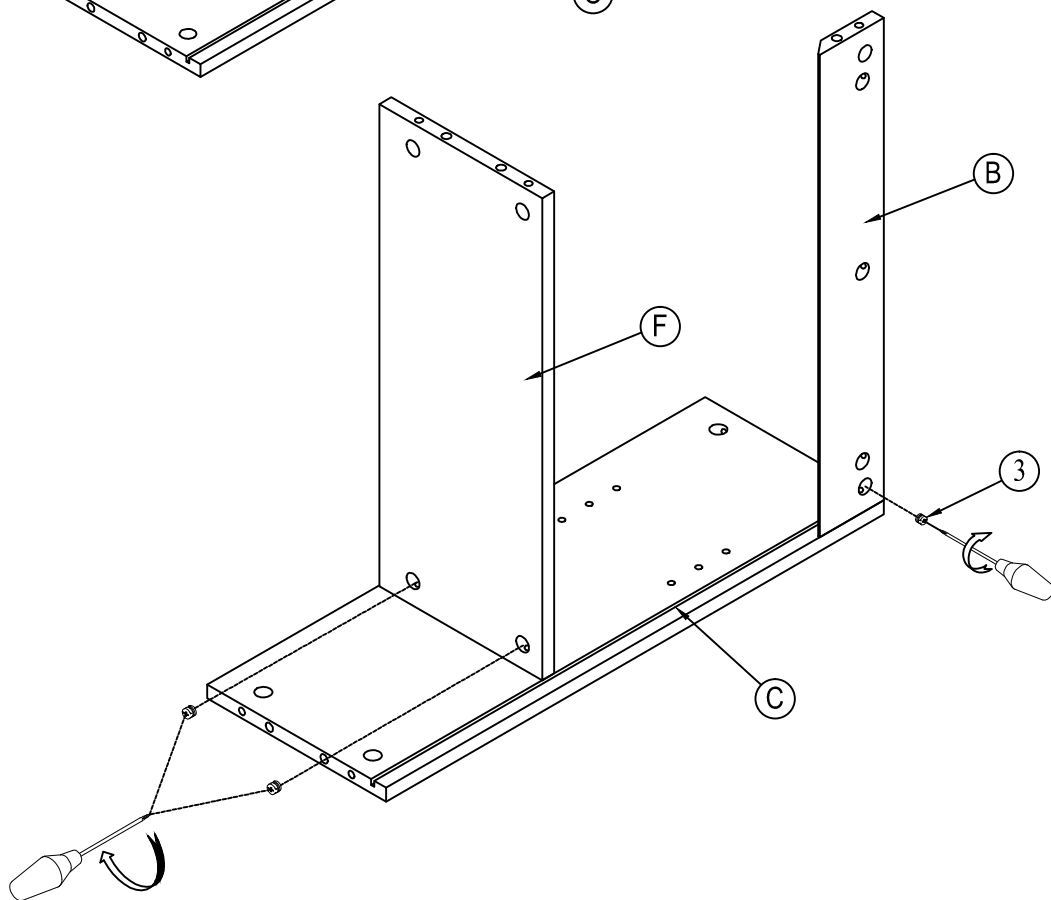
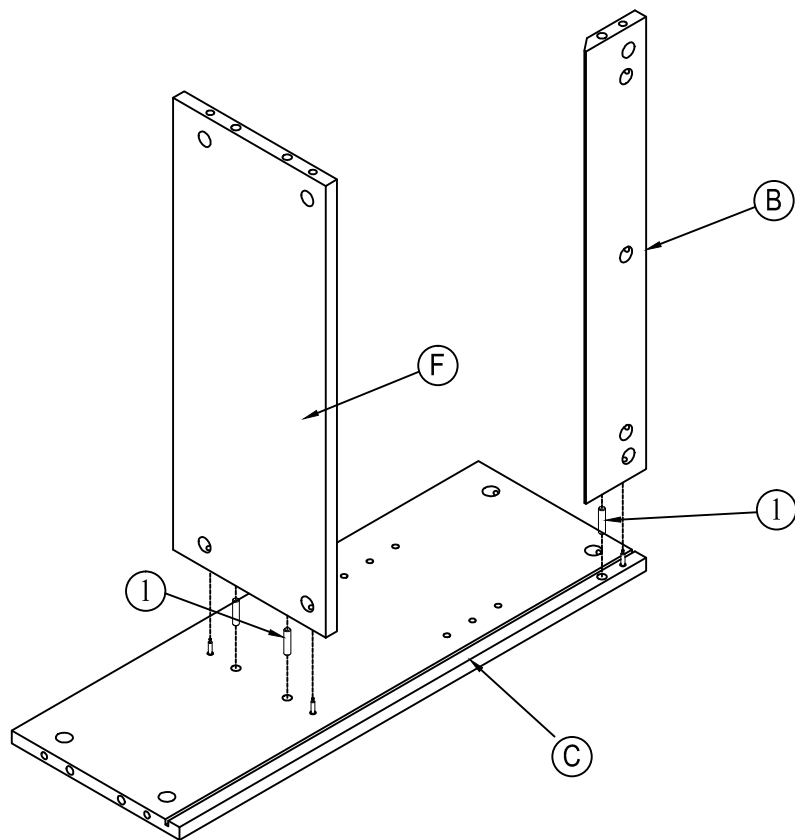
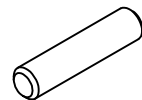
STEP 2



STEP 3

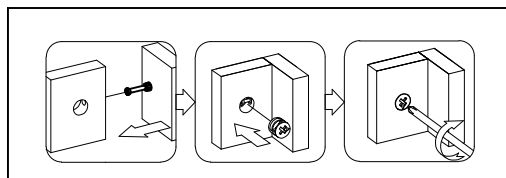
①

Ø8*30mm
WOOD DOWELS
3pcs



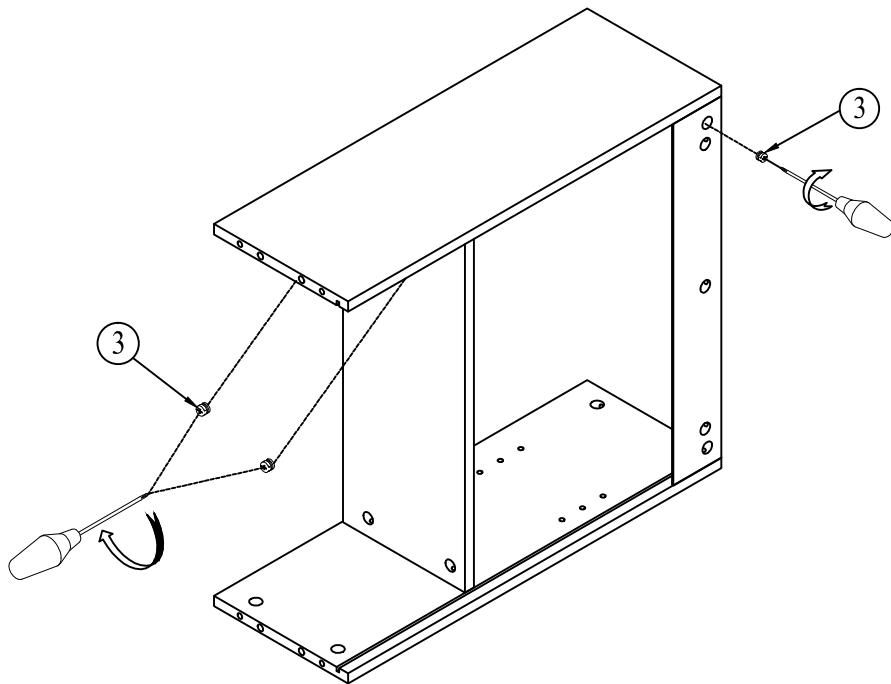
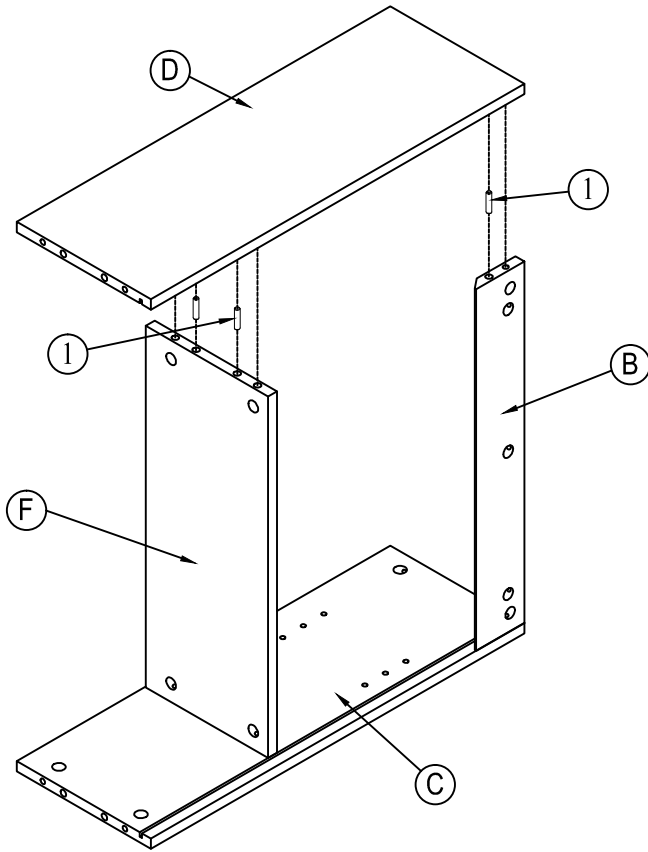
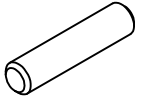
③

Ø15*9mm
CAMLOCK
3pcs

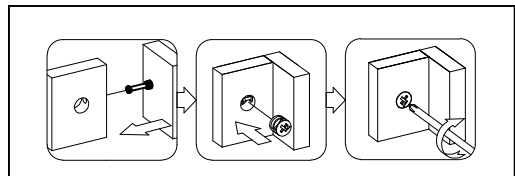


STEP 4

① Ø8*30mm
WOOD DOWELS
3pcs

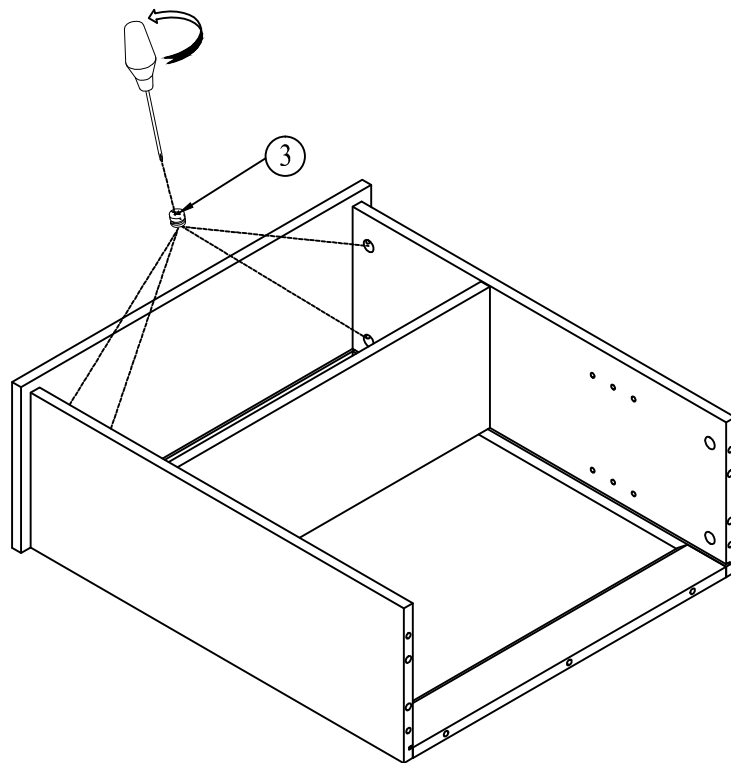
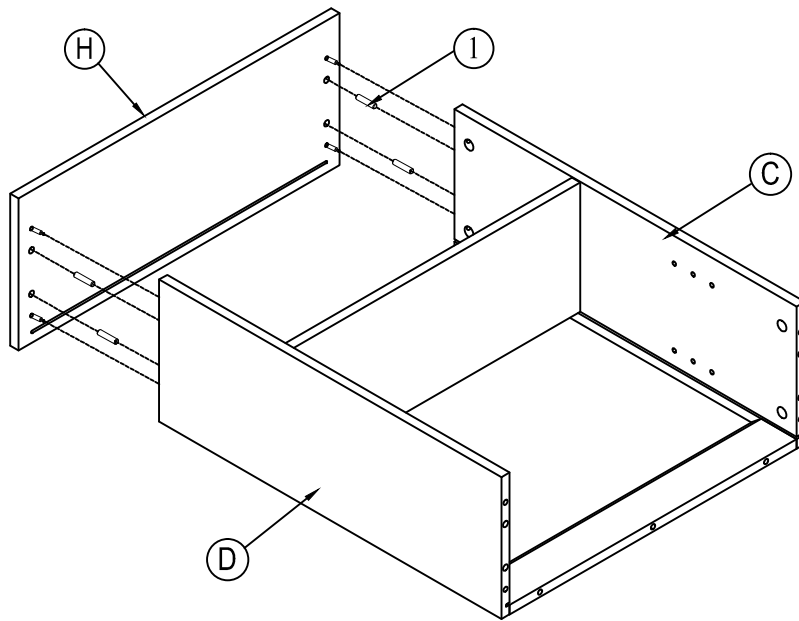
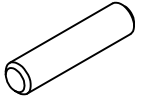


③ Ø15*9mm
CAMLOCK
3pcs

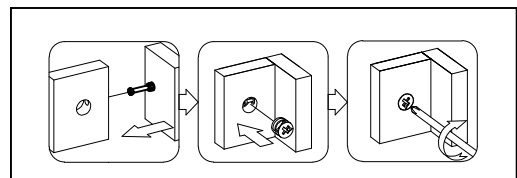


STEP 5

① Ø8*30mm
WOOD DOWELS
4pcs



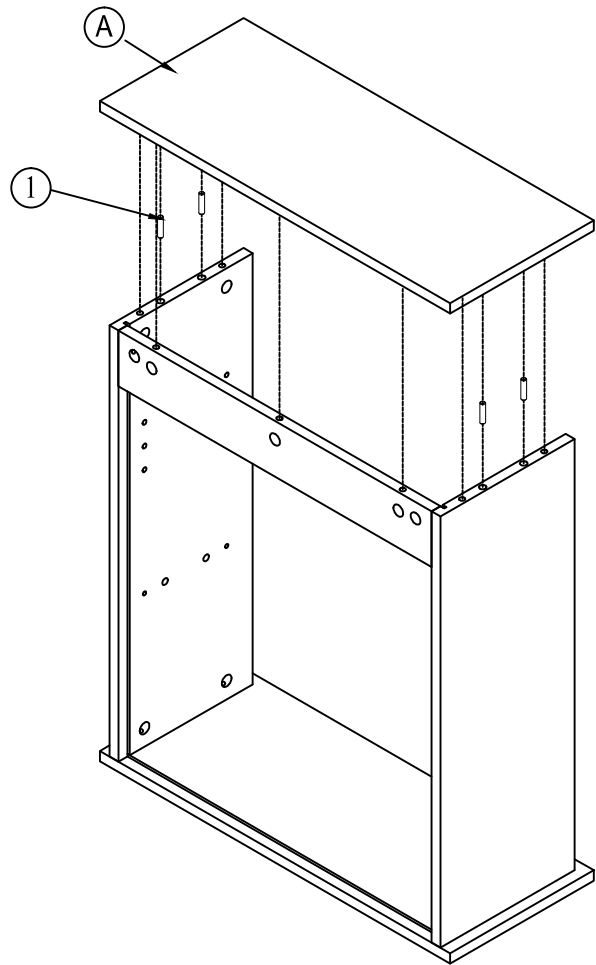
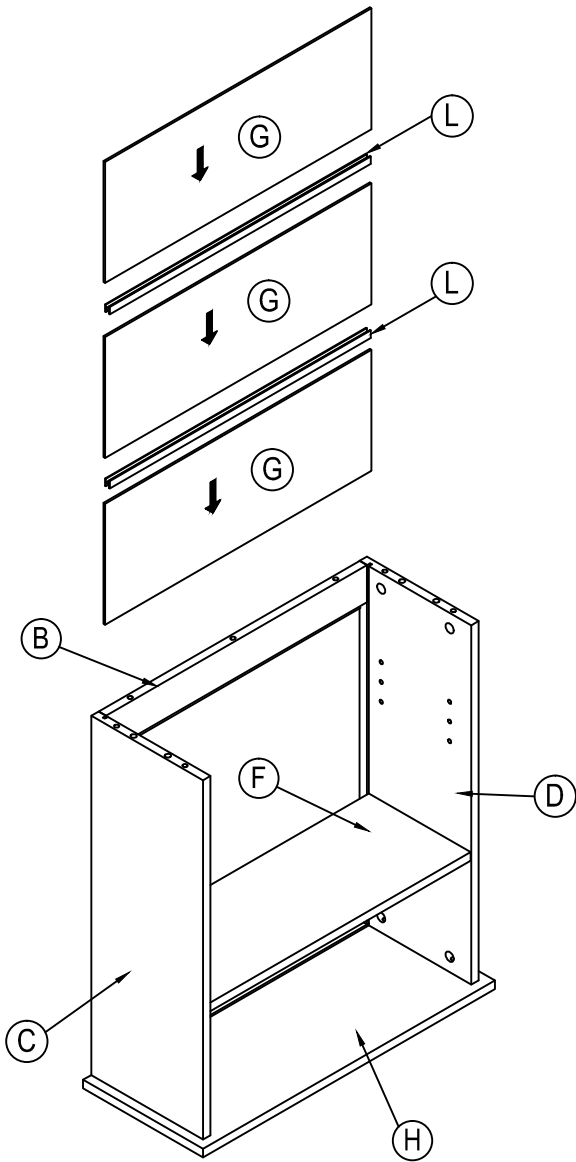
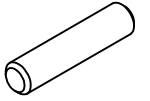
③ Ø15*9mm
CAMLOCK
4pcs



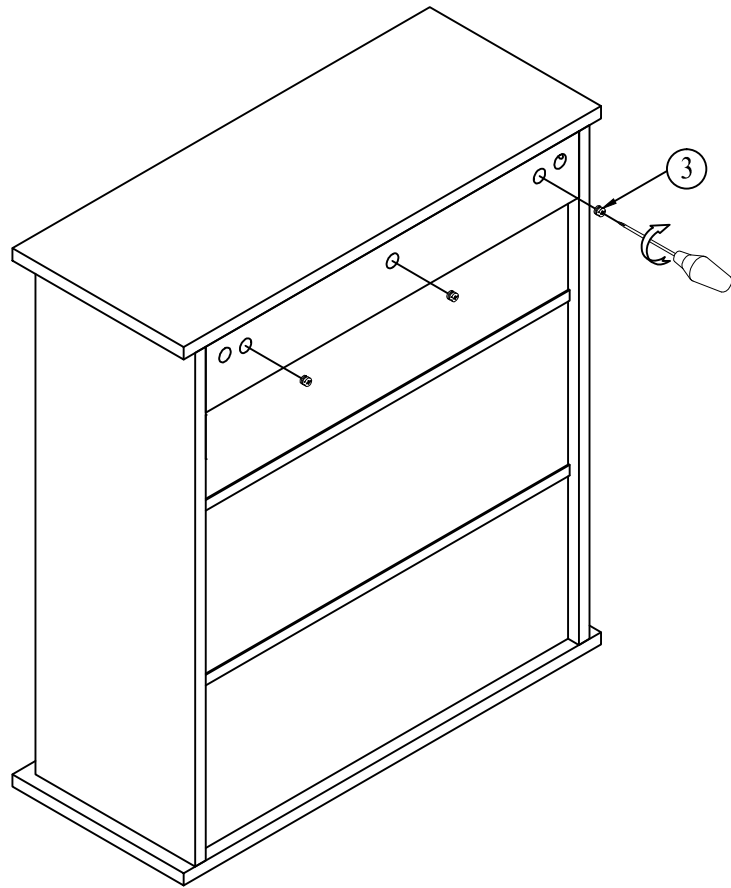
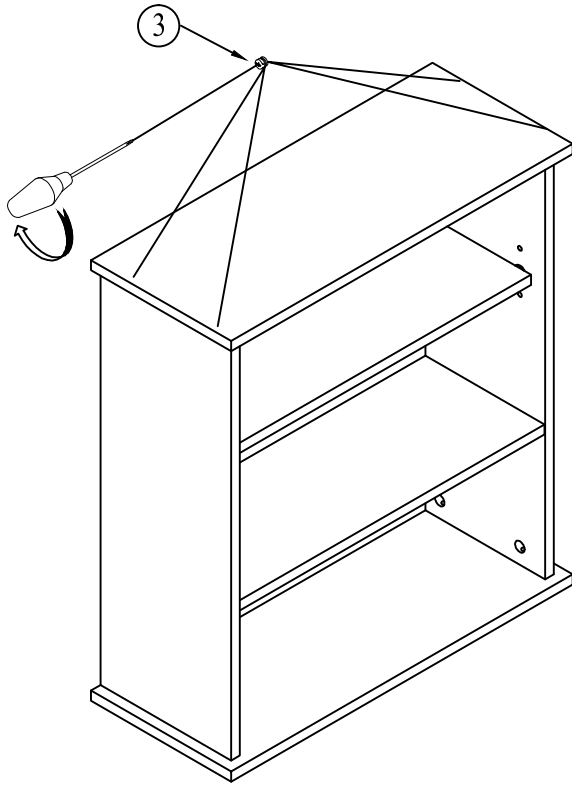
STEP 6

①

Ø8*30mm
WOOD DOWELS
4pcs

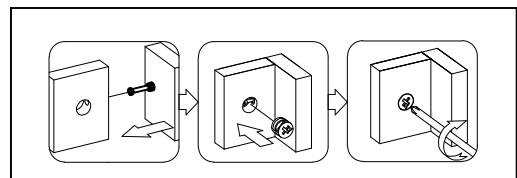


STEP 7



③

Ø15*9mm
CAMLOCK
7pcs

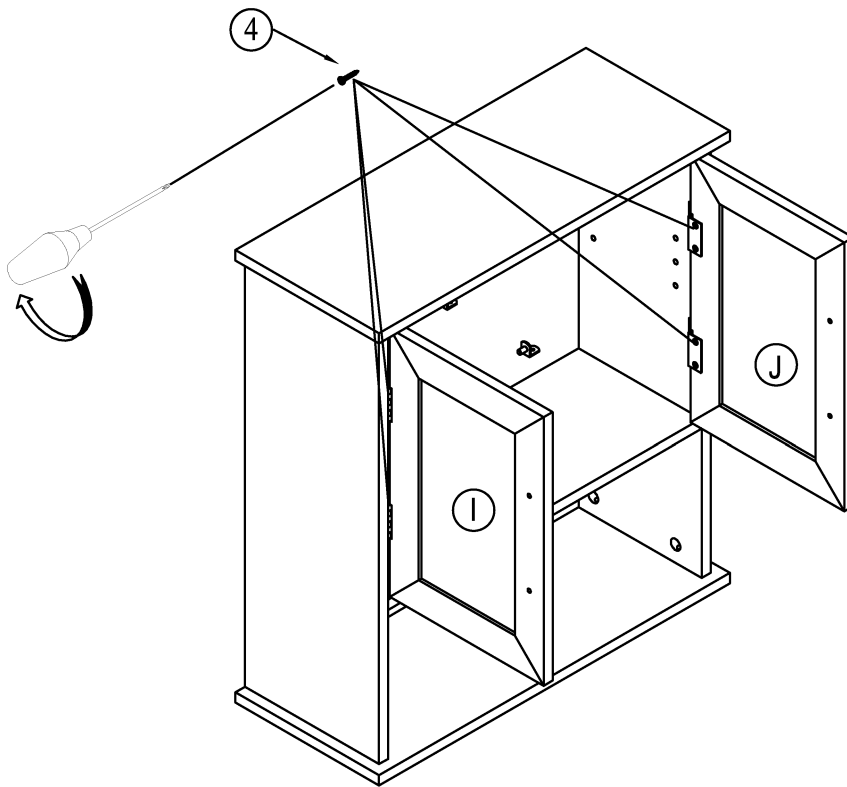
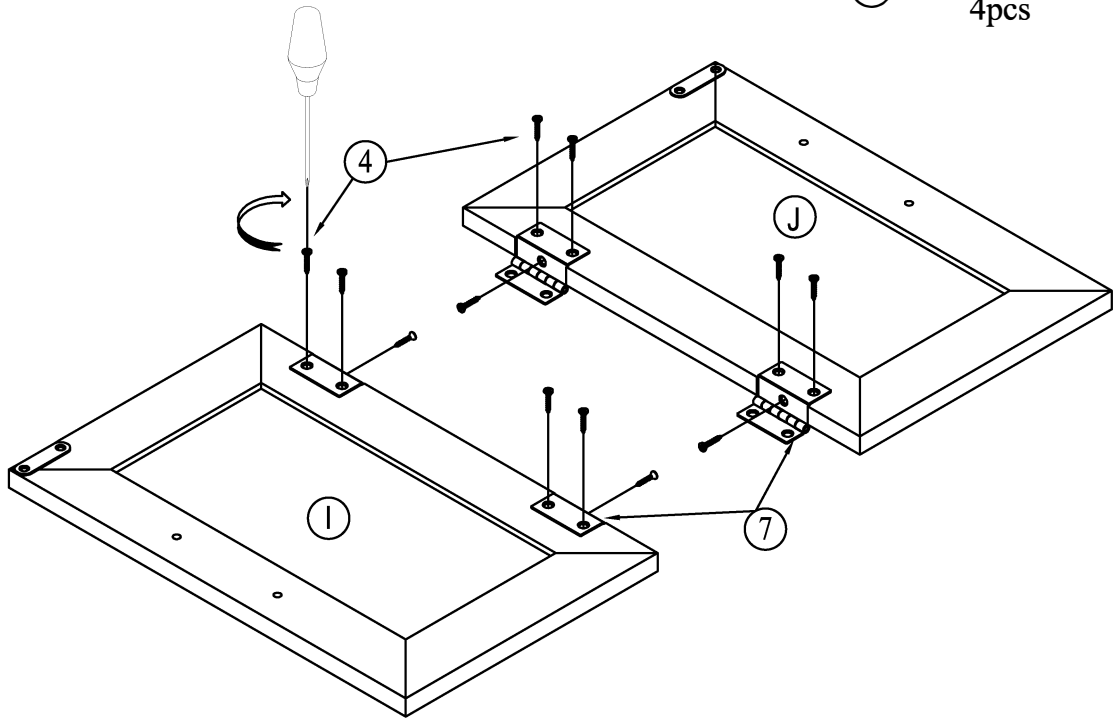
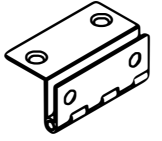


STEP 8

④ #3.5*15mm
SCREW
20pcs



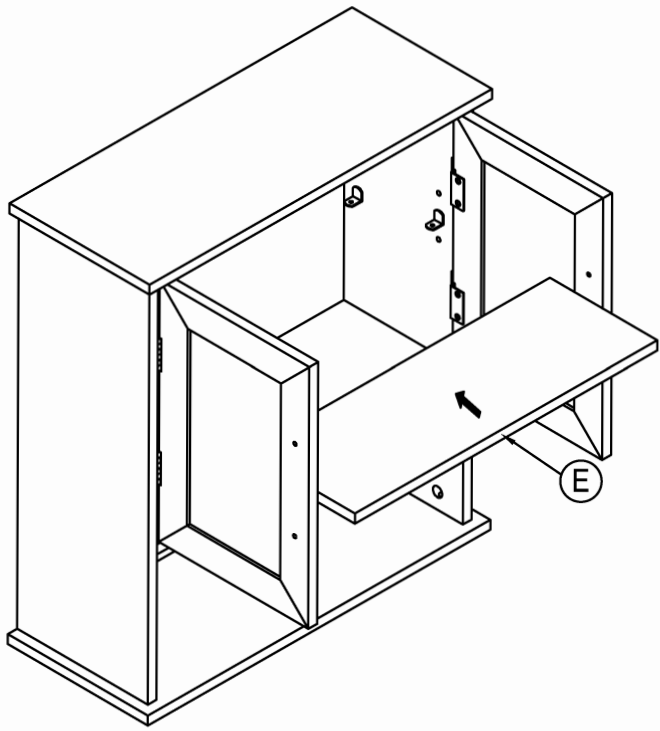
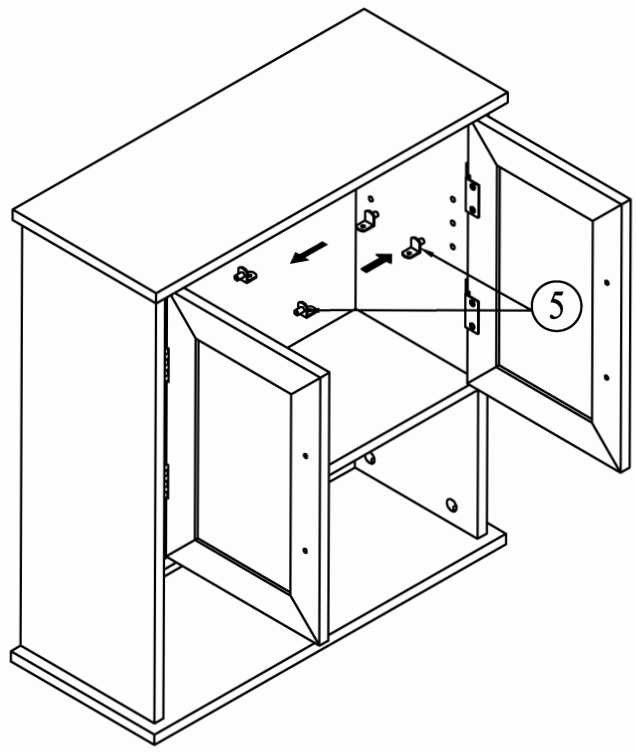
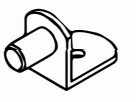
⑦ HINGE
4pcs



STEP 9

5

20x18x14mm
SHELF PIN
4pcs

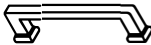


STEP 10

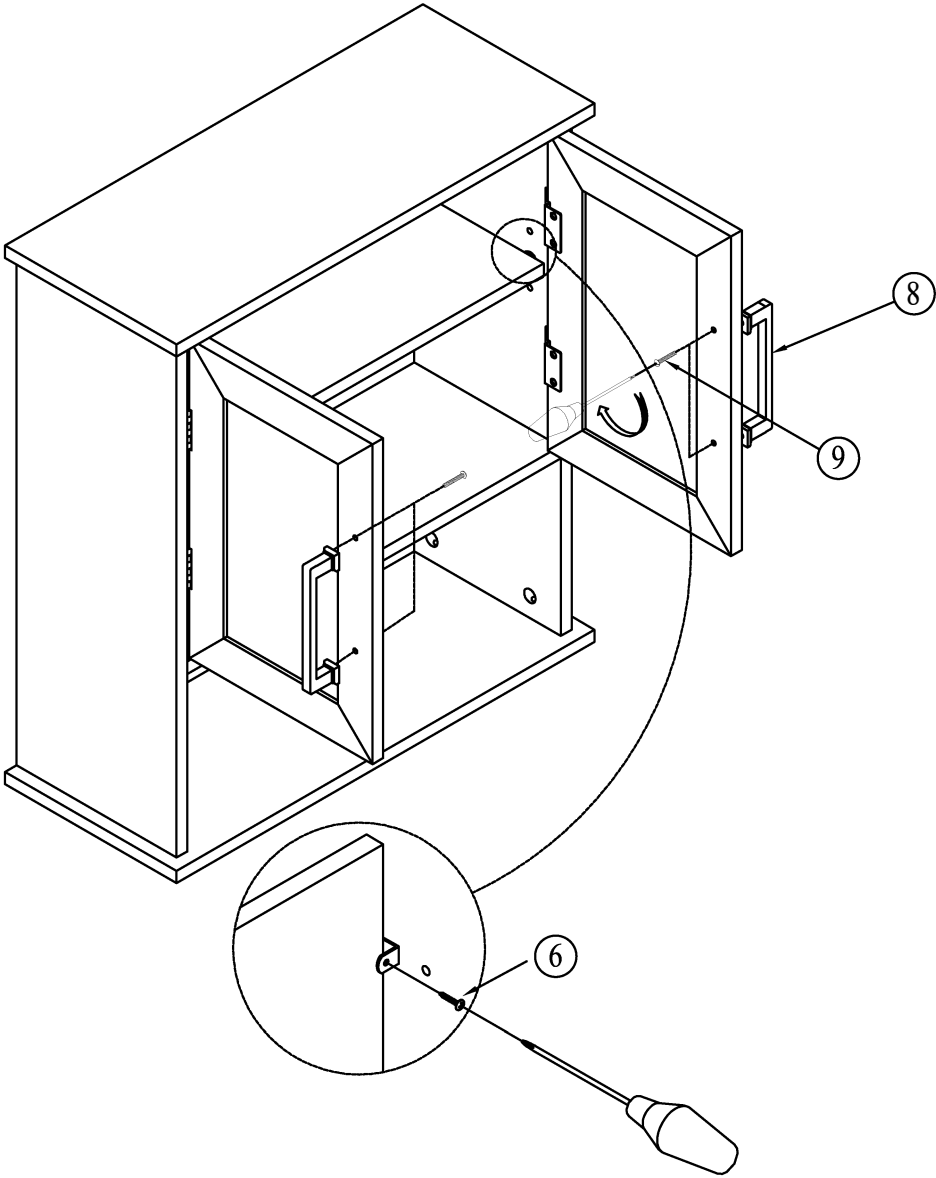
⑥ #3.5*12
SCREW
4pcs



⑧ HANDLE
2pcs



⑨ 5/32"*22mm
BOLT
4pcs



STEP 11

#4*40mm
SCREW
2pcs



WALL ANCHOR
2pcs

