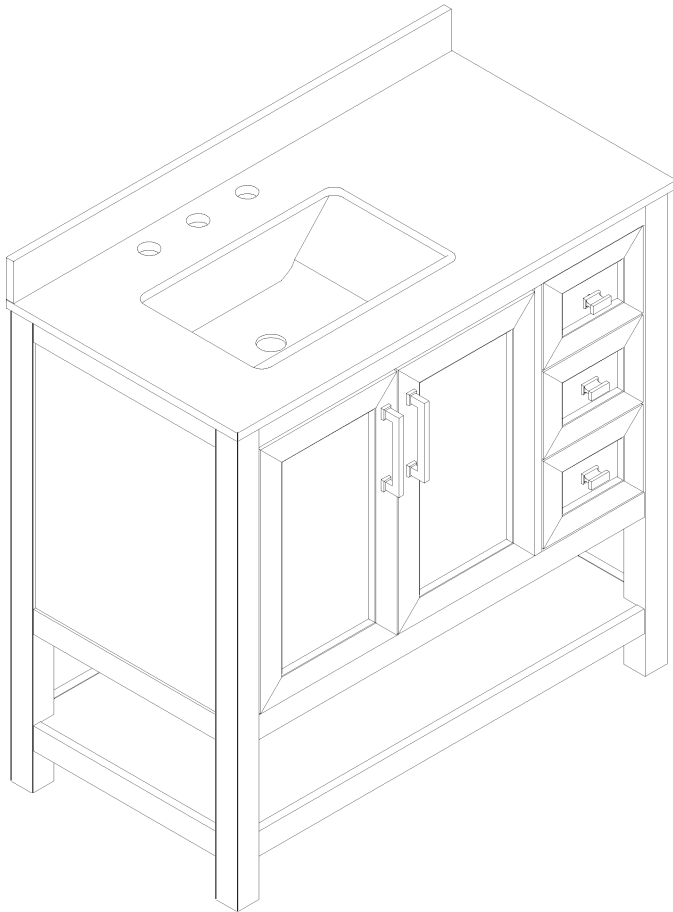


*Thank you for your purchase!*



## Bathroom Vanity

# ASSEMBLY INSTRUCTIONS

**Before You Begin:** Please see the required tools list (not included).

Please identify all component parts and hardware pieces required before you begin. Carefully remove all of the components from the packaging and set aside for assembly. Assemble on a soft surface to prevent scratching during assembly.

**Caution:**

Tighten all components securely before use. Failure to do so may result in personal injury. DO NOT use any sharp objects to open plastic wrapped components as damage to product or components may result.

**Warning:**

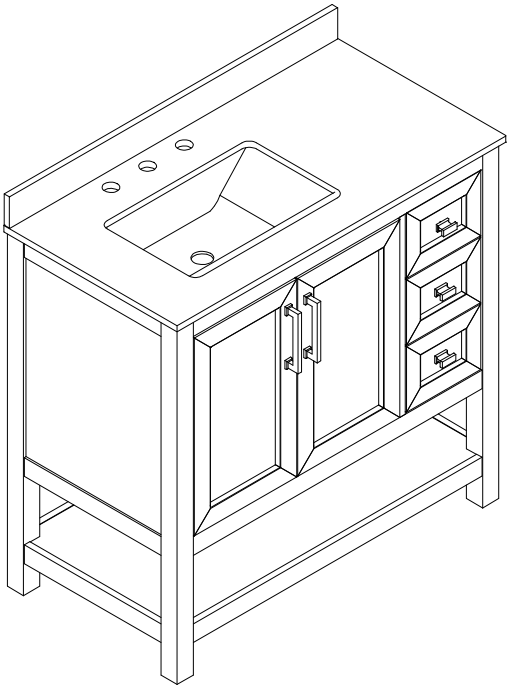
**CHOKING HAZARD** - Small Parts. Adult Assembly Required.

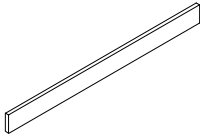
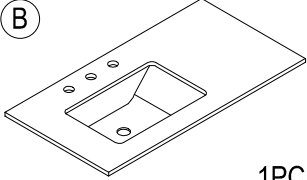
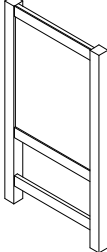
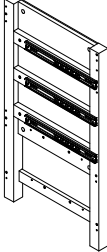
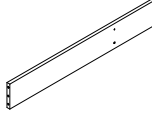
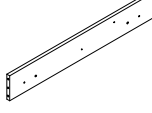
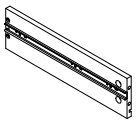
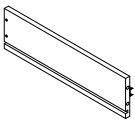
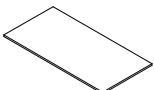
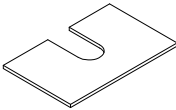
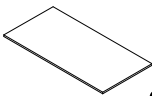
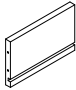
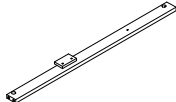
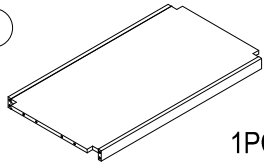
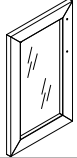
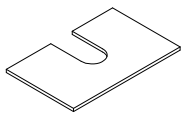
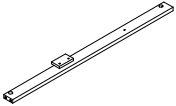
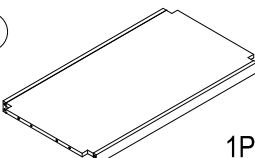
**DO NOT ALLOW CHILDREN TO CLIMB ON FURNITURE**

Serious or fatal injuries can occur from furniture tipping over. You must install Tipping Restraint Hardware (where included) to help prevent the unit from tipping and causing accidental injury, instability, death or damage. The tipping restraint is intended only as a safety measure, it is not a substitute for proper adult supervision.

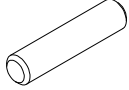
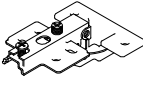
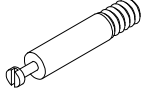
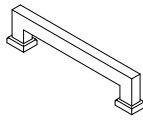

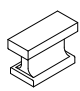
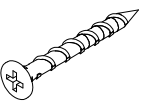
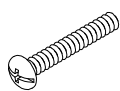
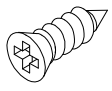
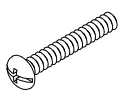
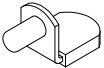
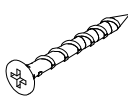
To help prevent furniture from tipping over it must be permanently attached to the wall. Anti-Tip Safety Wall Straps suitable for the unit weight and wall materials (if not included) should be purchased and installed.

# PARTS LIST

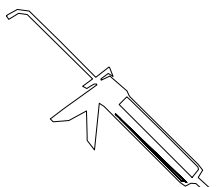


<p>(A)</p>  <p>1PC</p>	<p>(B)</p>  <p>1PC</p>
<p>(C)</p>  <p>1PC</p>	<p>(D)</p>  <p>1PC</p>
<p>(E)</p>  <p>1PC</p>	<p>(F)</p>  <p>1PC</p>
<p>(M)</p>  <p>3PCS</p>	<p>(N)</p>  <p>3PCS</p>
<p>(O)</p>  <p>3PCS</p>	<p>(P)</p>  <p>3PCS</p>
<p>(Q)</p>  <p>1PC</p>	<p>(R)</p>  <p>1PC</p>
<p>(S)</p>  <p>1PC</p>	<p>(G)</p>  <p>1PC</p>
<p>(I)</p>  <p>1PC</p>	<p>(H)</p>  <p>1PC</p>
<p>(K)</p>  <p>3PCS</p>	<p>(J)</p>  <p>1PC</p>

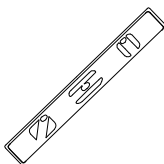
# HARDWARE LIST

ITEM	DESCRIPTION	QTY	ITEM	DESCRIPTION	QTY
①	Ø8*30mm WOOD DOWELS 	25 pcs	⑦	Ø35 Euro Hinge 	4 pcs
②	Ø6*34mm CAMLOCK 	42 pcs	⑧	L150mm Handle 	2 pcs
③	Ø15*9mm CAMLOCK 	42 pcs	⑨	L37mm Handle 	3 pcs
④	#4*50mm SCREW 	2 pcs	⑩	1/4"*25mm Bolt 	4 pcs
⑤	#3.5*15 SCREW 	24 pcs	⑪	1/4"*12mm Bolt 	3 pcs
⑥	20x18x14mm Shelf Pin 	4 pcs	⑫	#4*28mm SCREW 	12 pcs

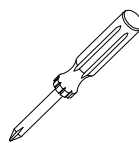
## TOOLS REQUIRED (Not Included)



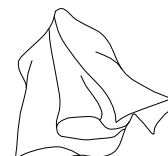
Silicone  
Sealant



Level



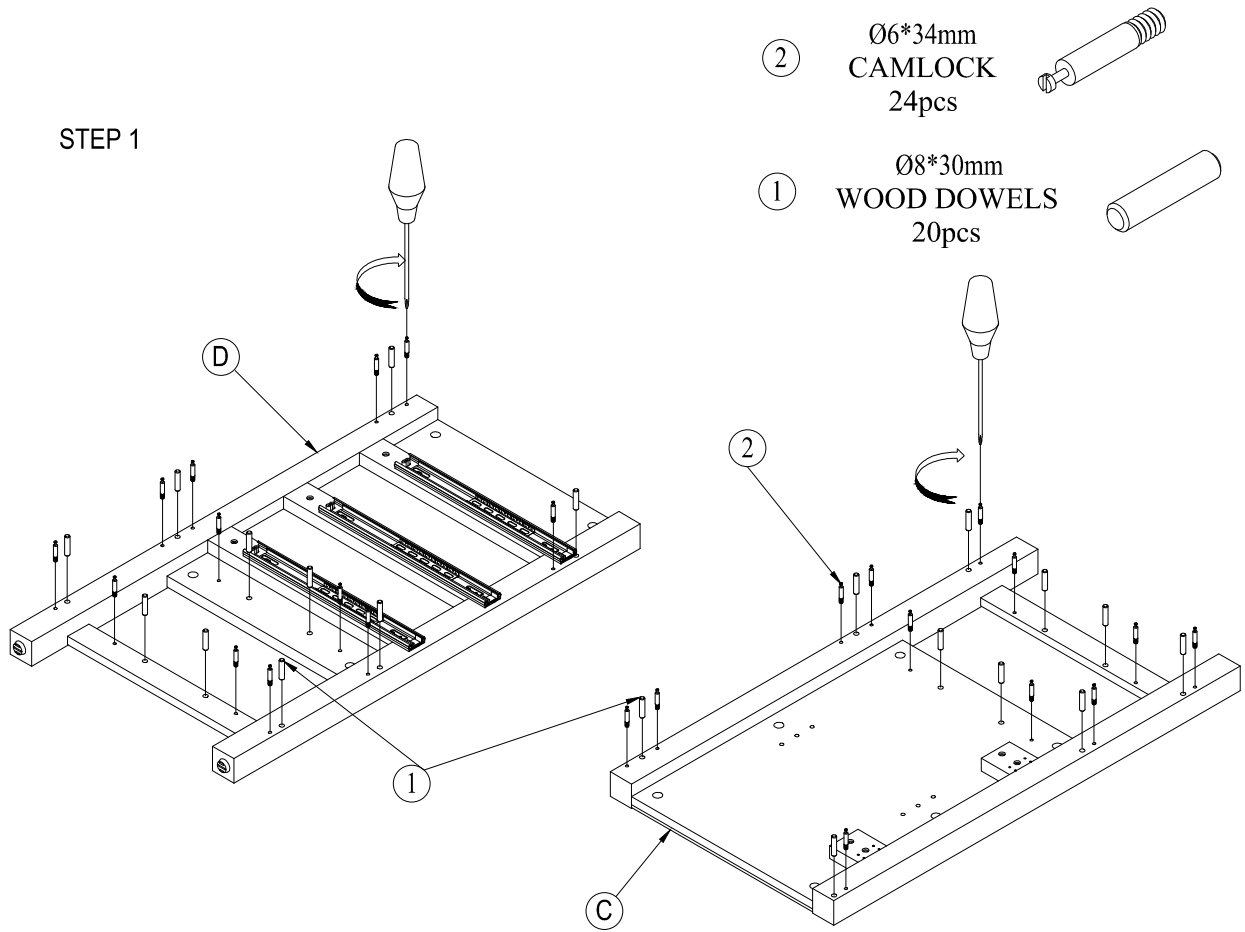
Phillips  
Screwdriver



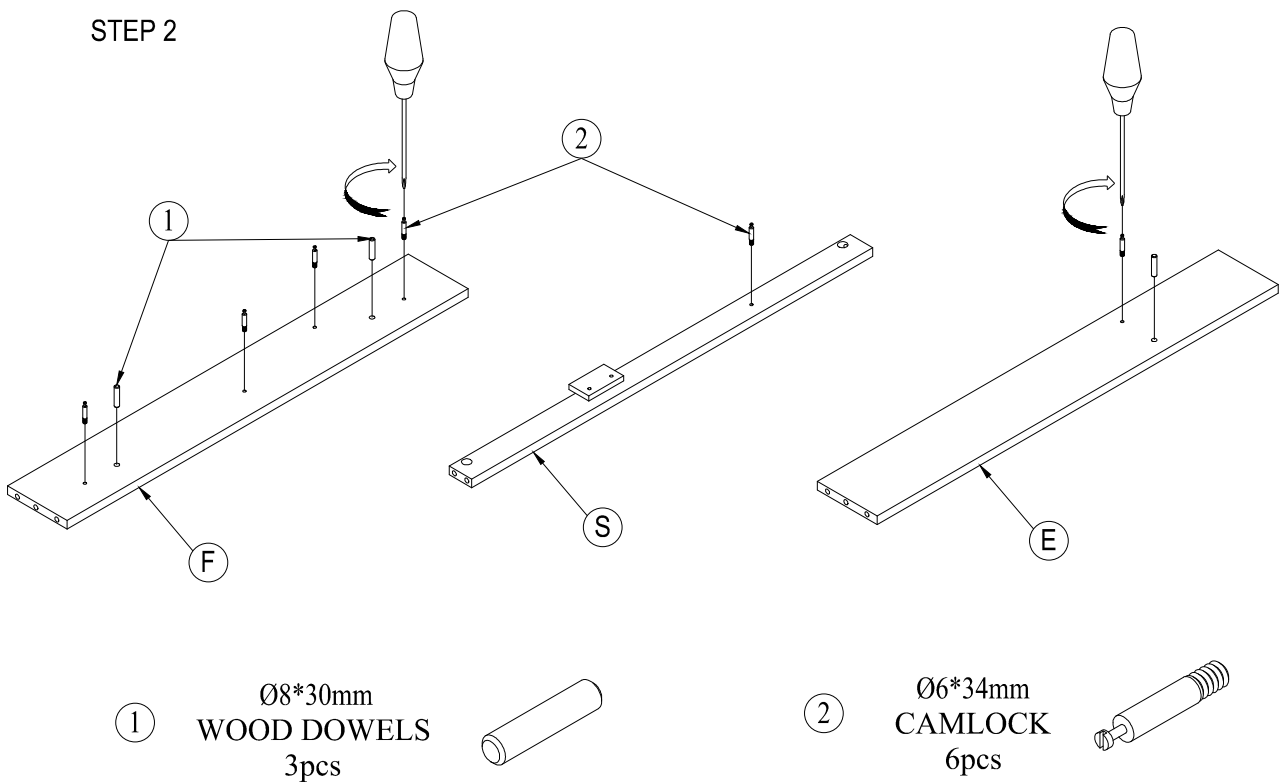
Clean rag

# INSTALLATION

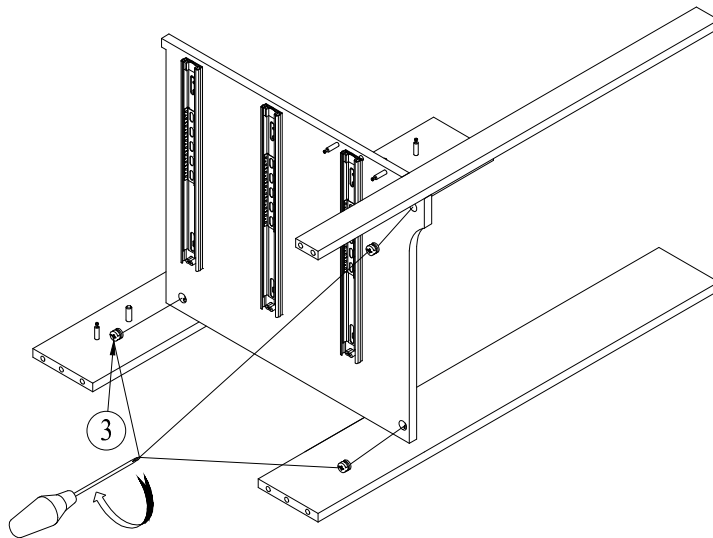
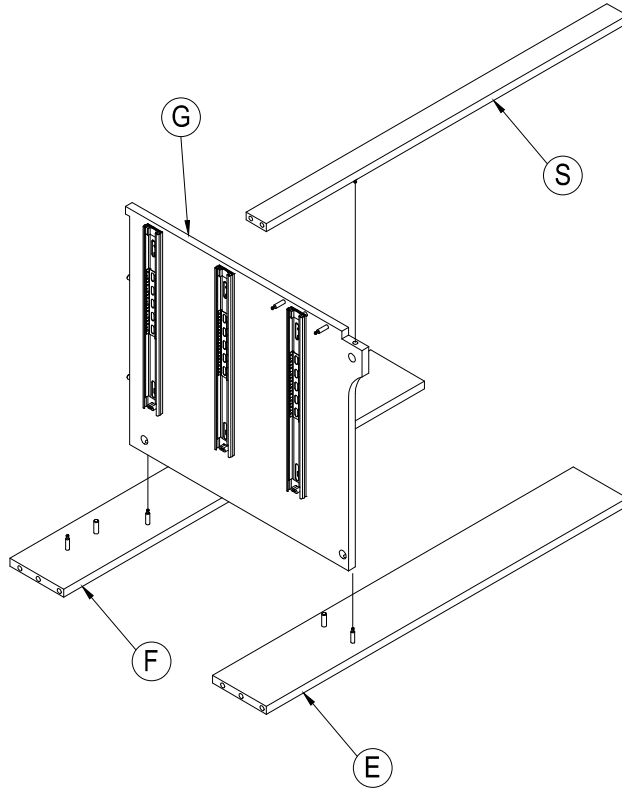
STEP 1



STEP 2

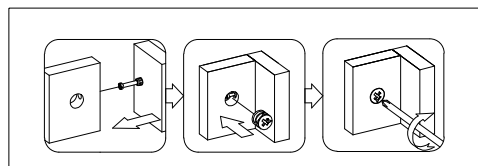


STEP 3

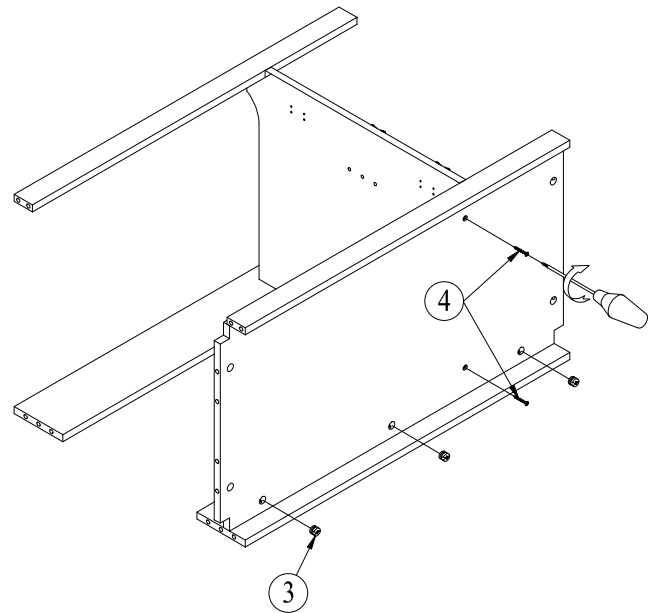
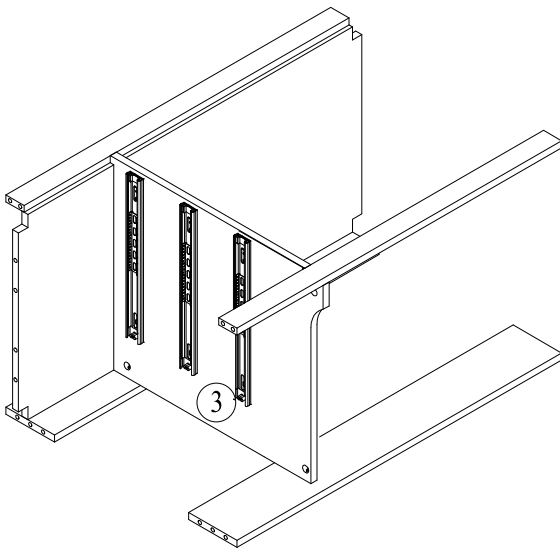
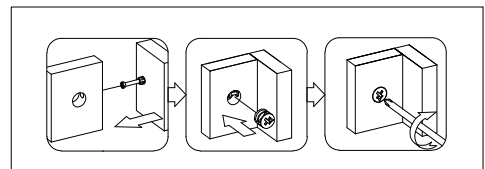
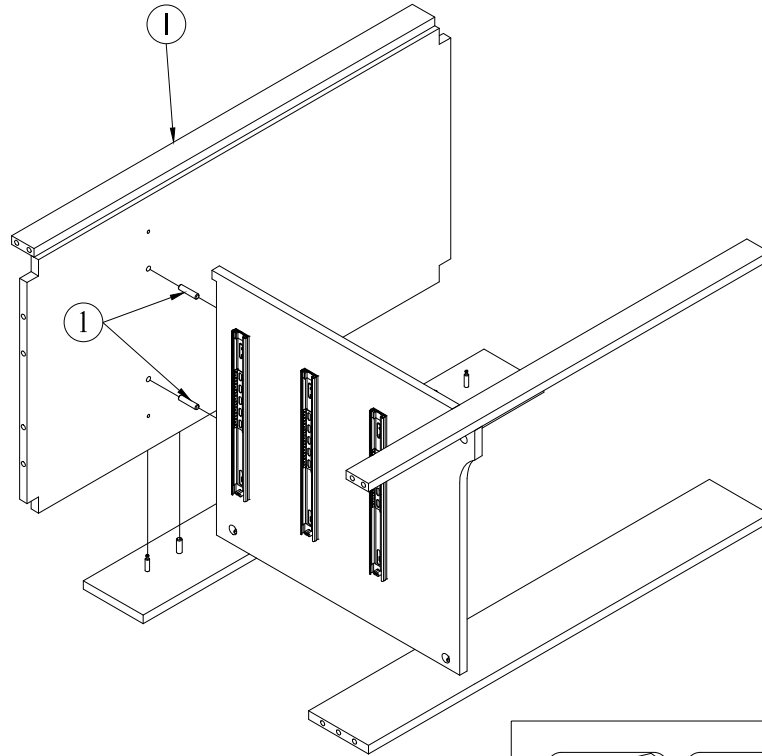


③

Ø15\*9mm  
CAMLOCK  
3pcs



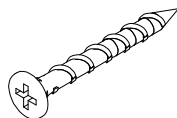
STEP 4



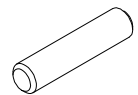
③ Ø15\*9mm  
CAMLOCK  
3pcs



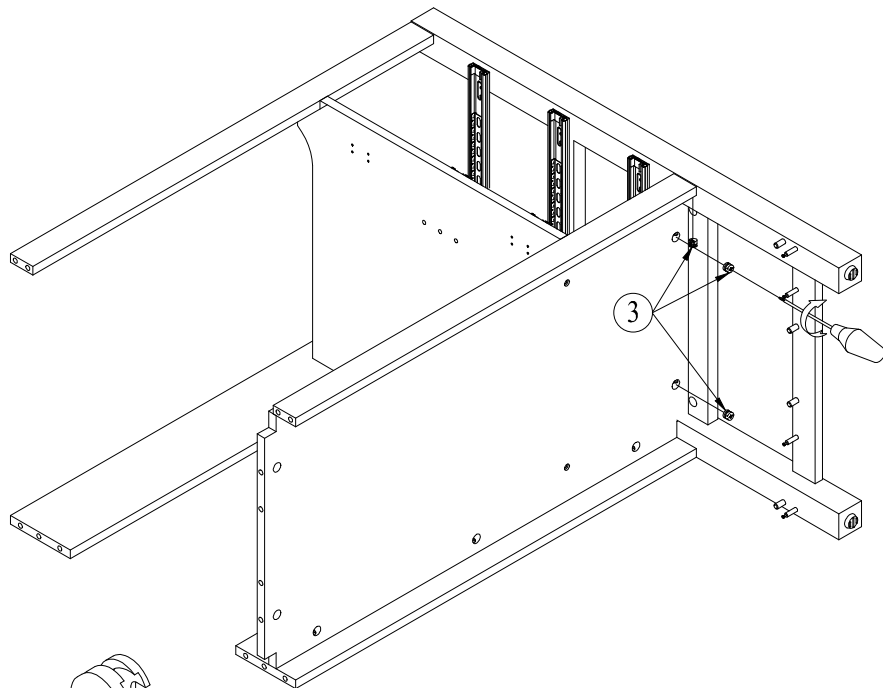
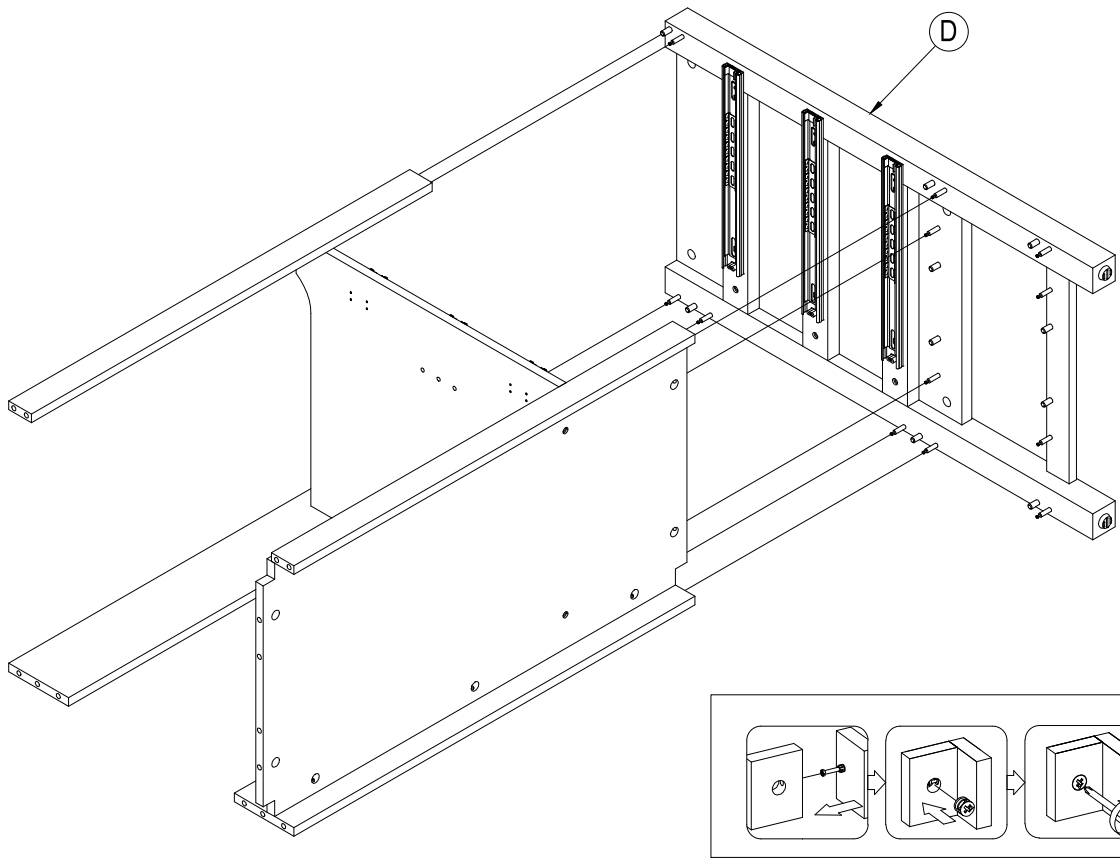
④ #4\*50mm  
SCREW  
2pcs



① Ø8\*30mm  
WOOD DOWELS  
3pcs



STEP 5

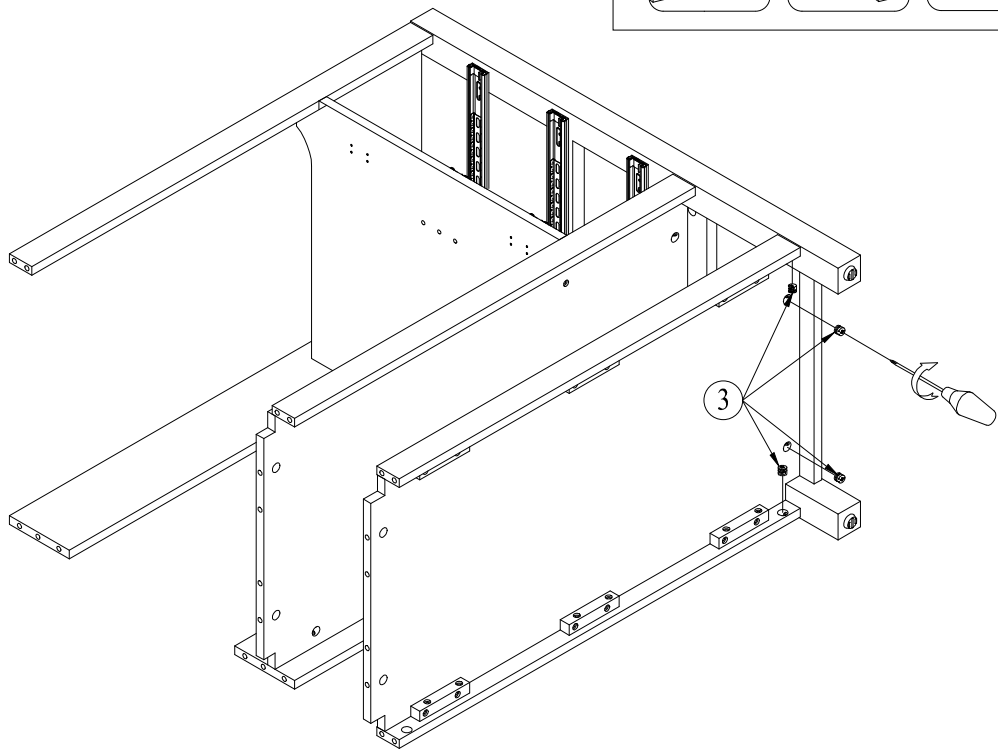
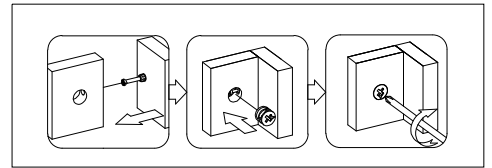
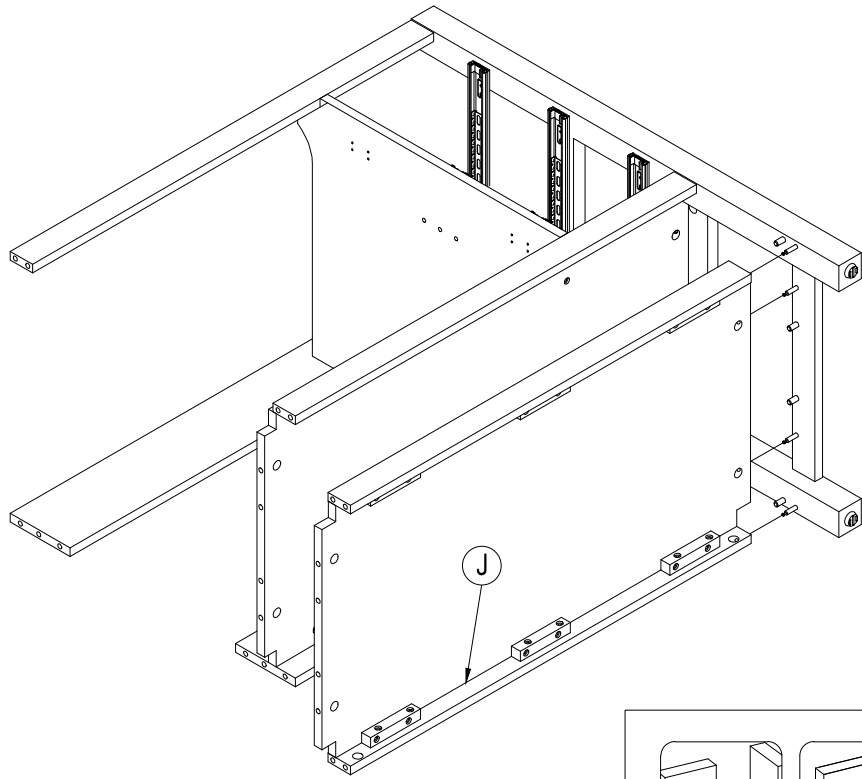


3

Ø15\*9mm  
CAMLOCK  
3pcs



STEP 6



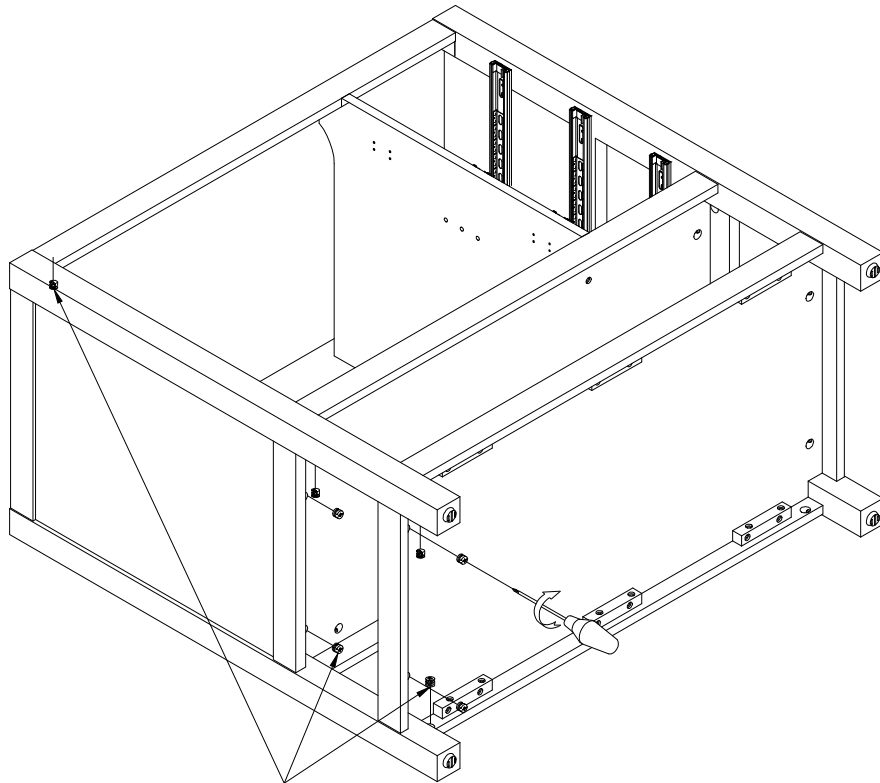
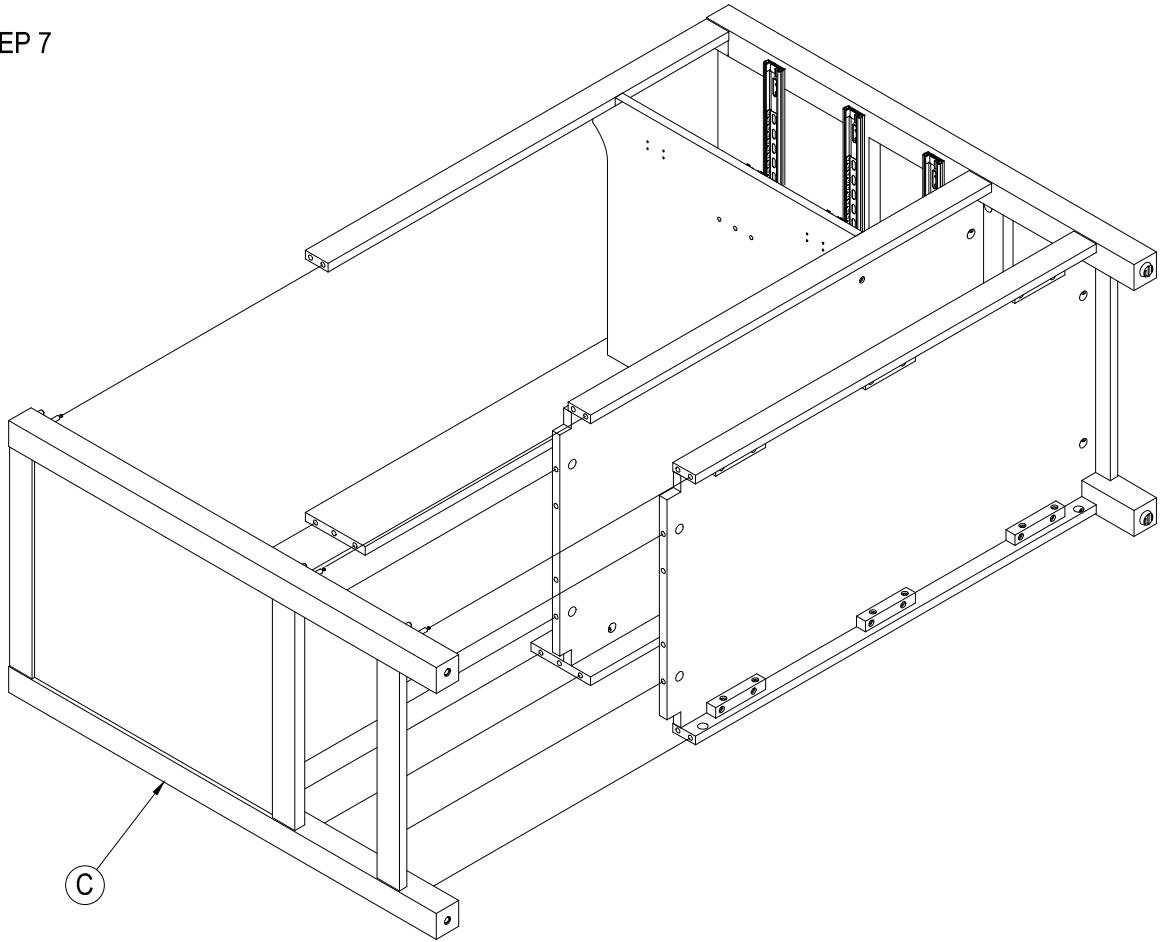
3

Ø15\*9mm  
CAMLOCK  
4pcs





STEP 7



3

Ø15\*9mm  
CAMLOCK  
8pcs

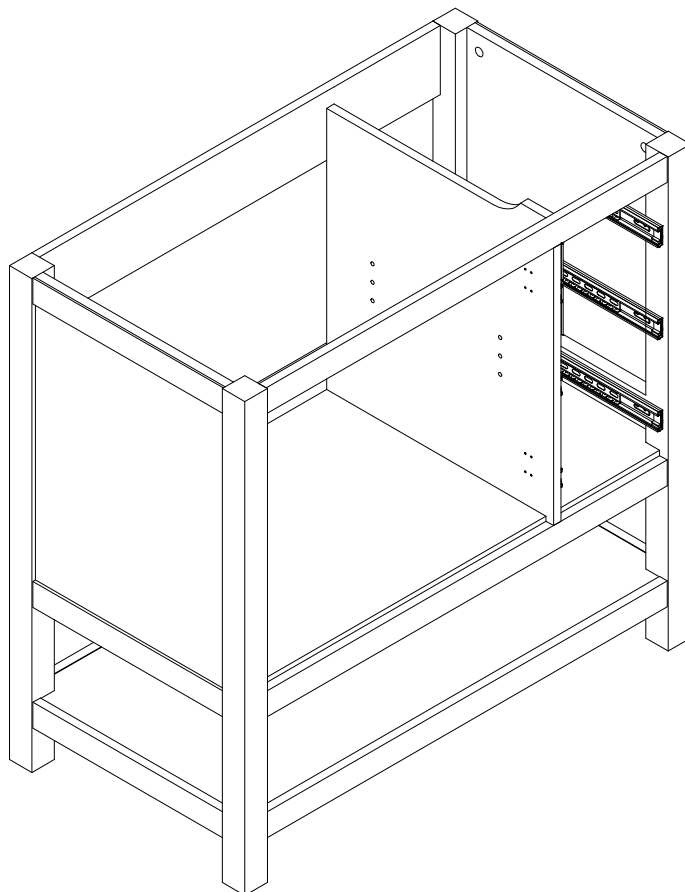
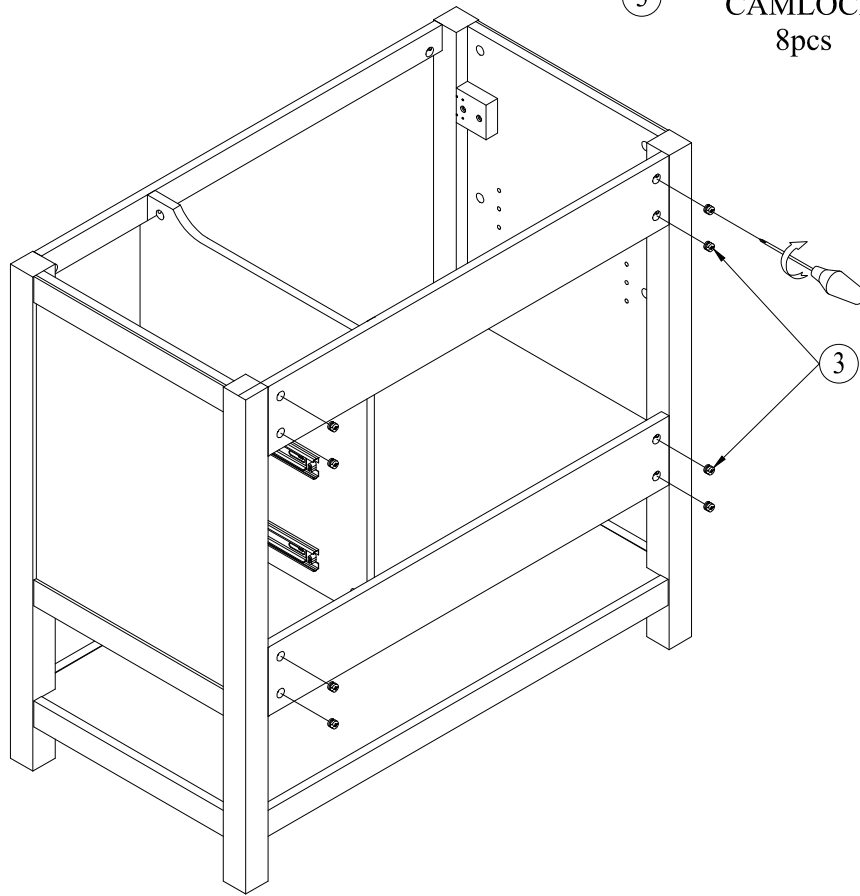


3

STEP 8

3

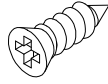
Ø15\*9mm  
CAMLOCK  
8pcs



STEP 9

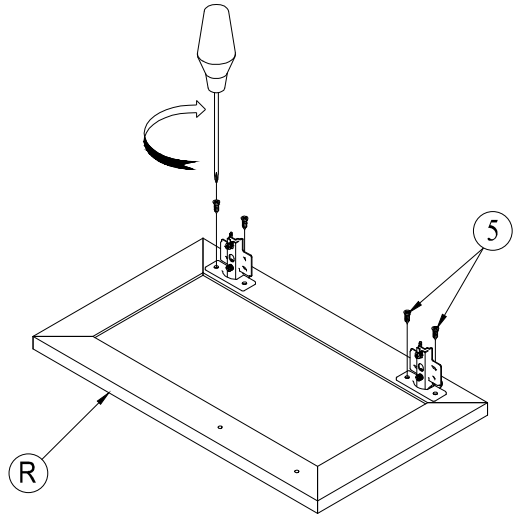
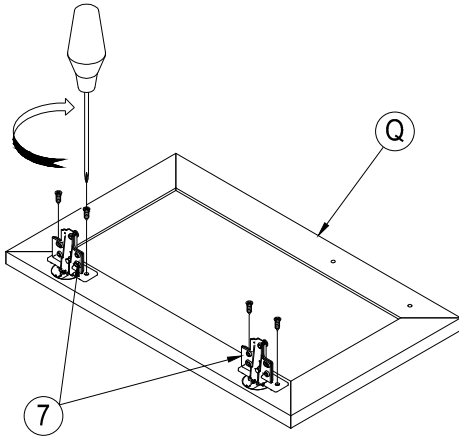
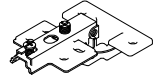
5

#3.5\*15  
SCREW  
8pcs



7

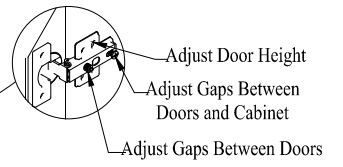
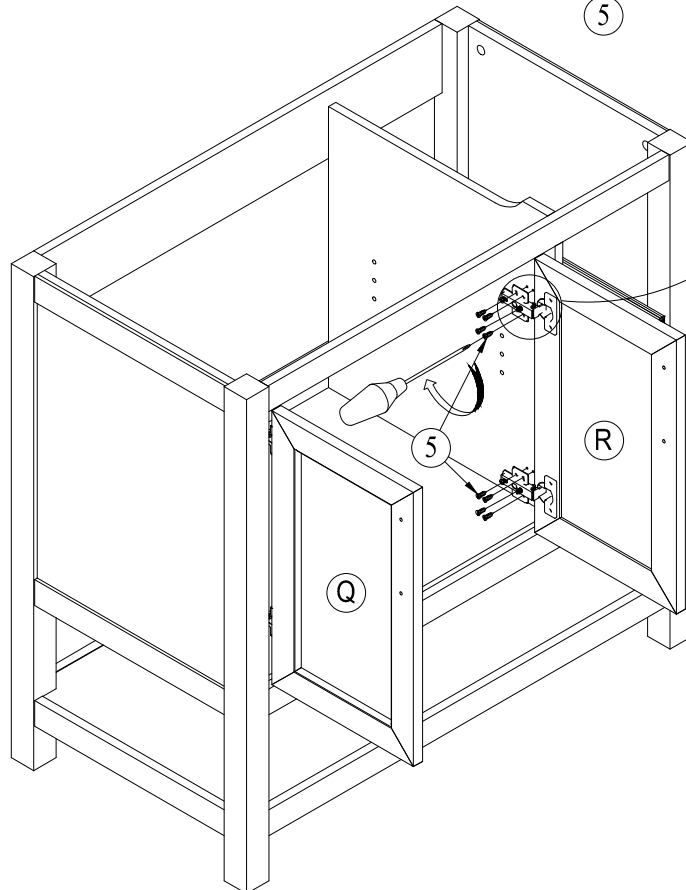
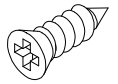
Ø35  
Euro Hinge  
4pcs



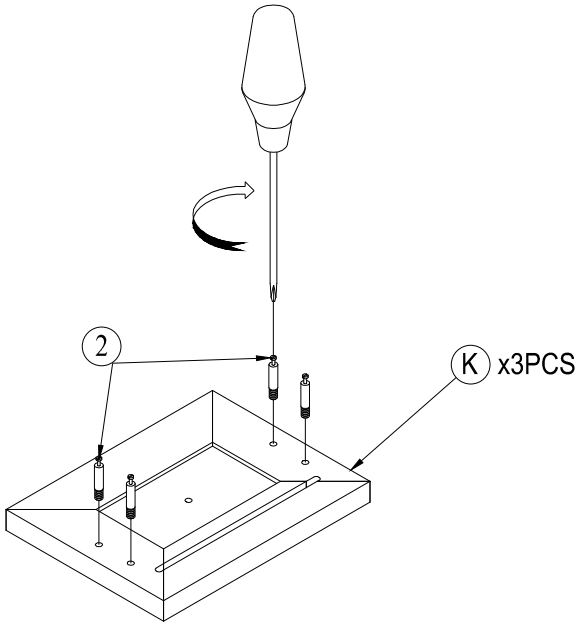
STEP 10

5

#3.5\*15  
SCREW  
16 pcs



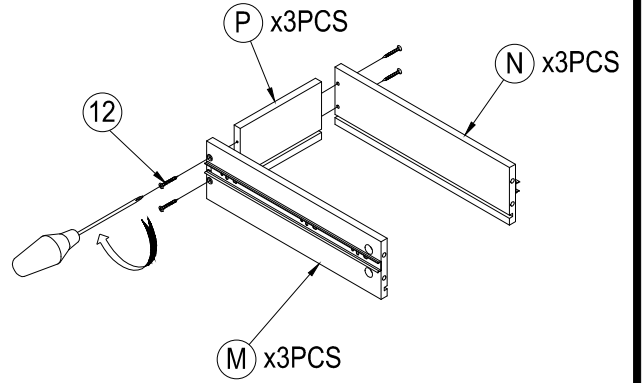
STEP 11



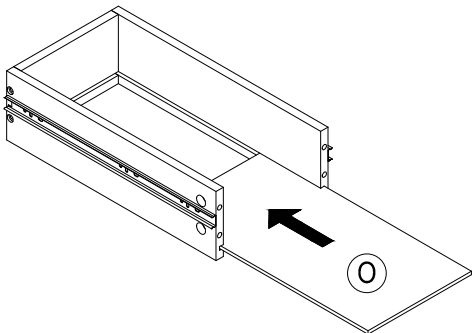
② Ø6\*34mm  
CAMLOCK  
12pcs

STEP 12

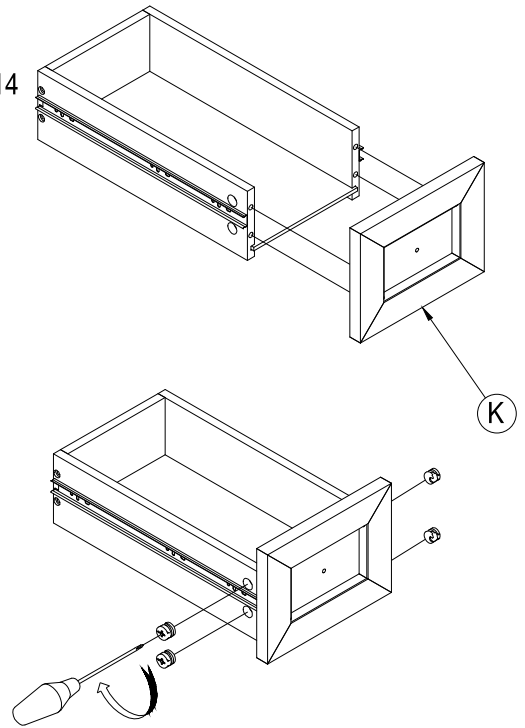
⑫ #4\*28mm  
SCREW  
12pcs



STEP 13

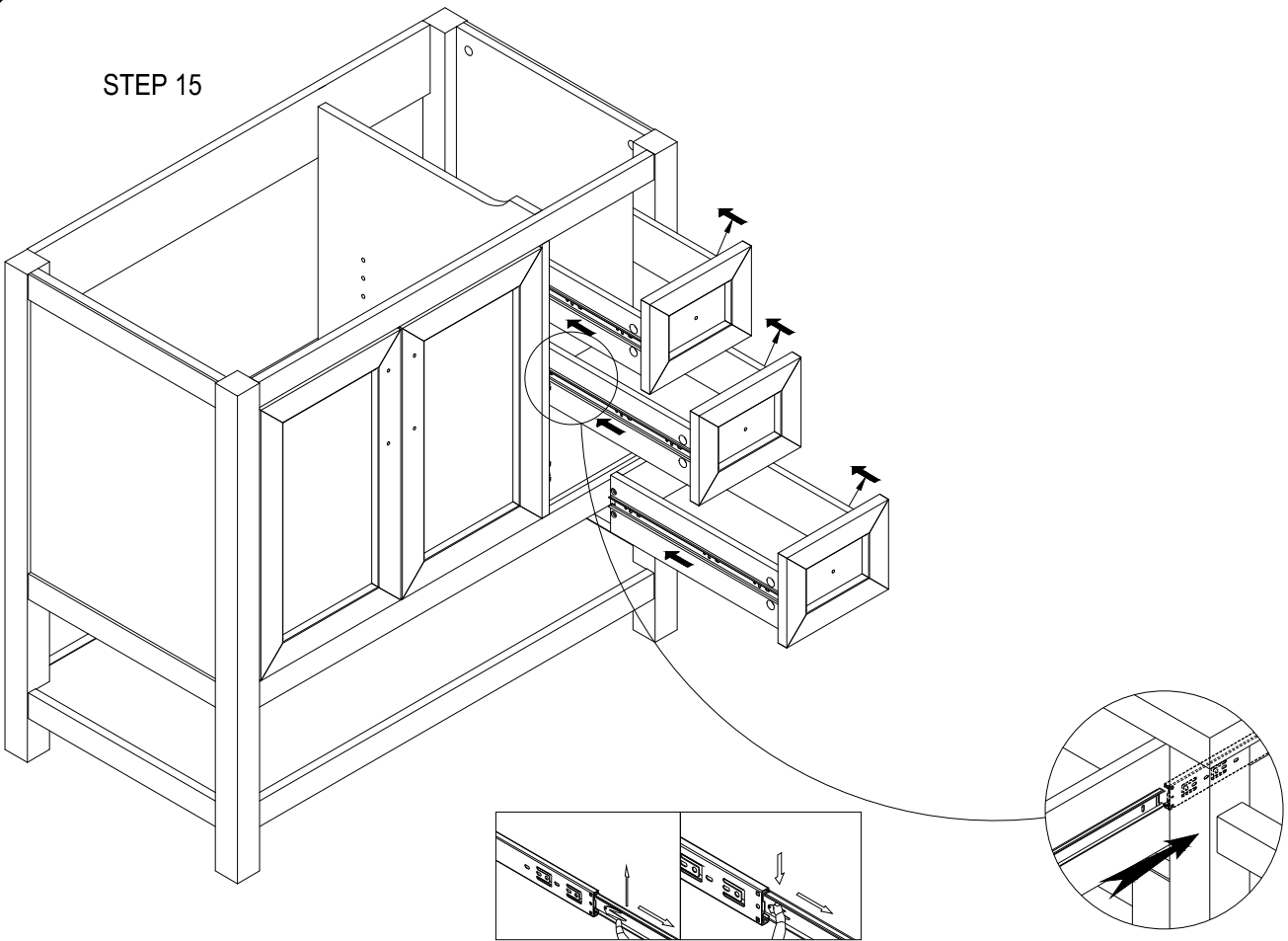


STEP 14



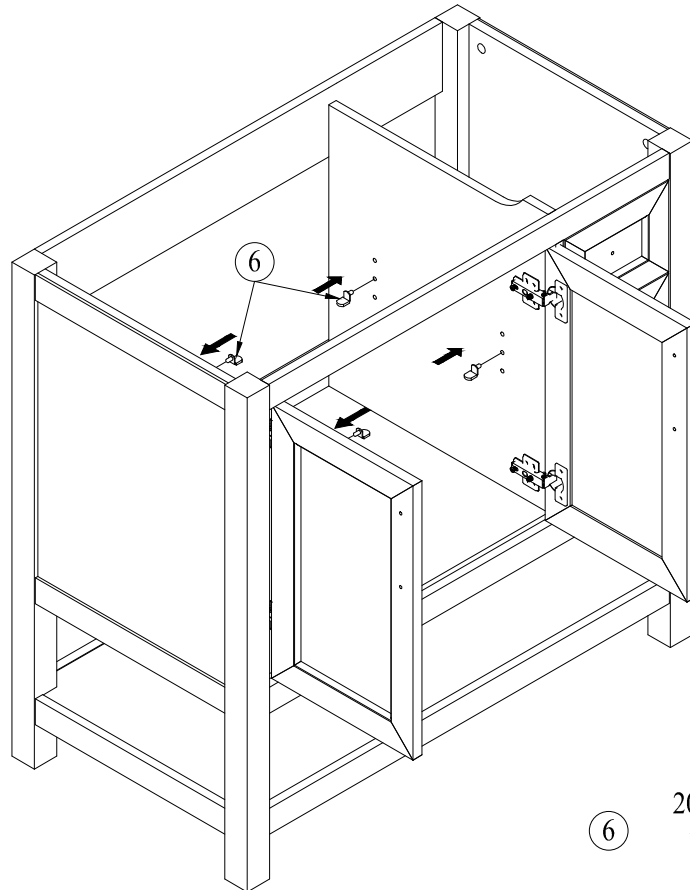
③ Ø15\*9mm  
CAMLOCK  
12pcs

STEP 15



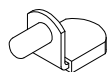
NOTE : Drawers are removable

STEP 16

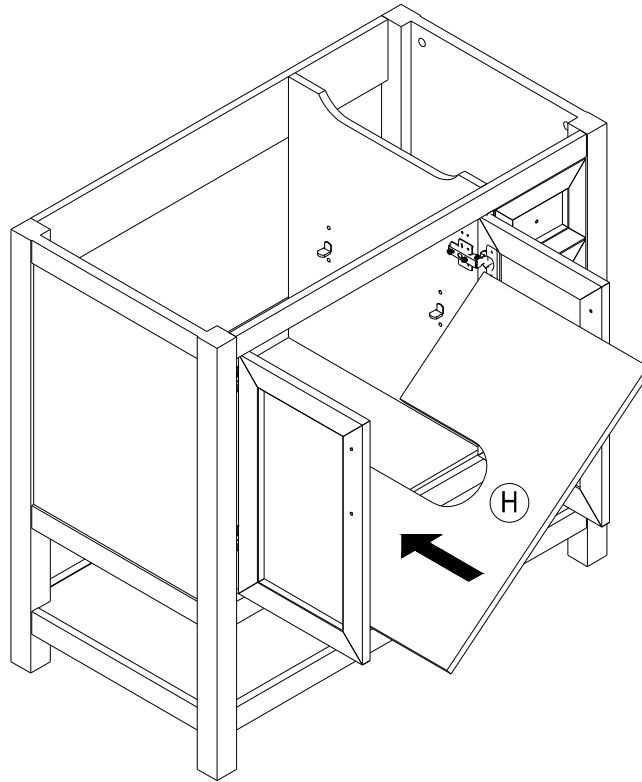


⑥

20x18x14mm  
Shelf Pin  
4pcs

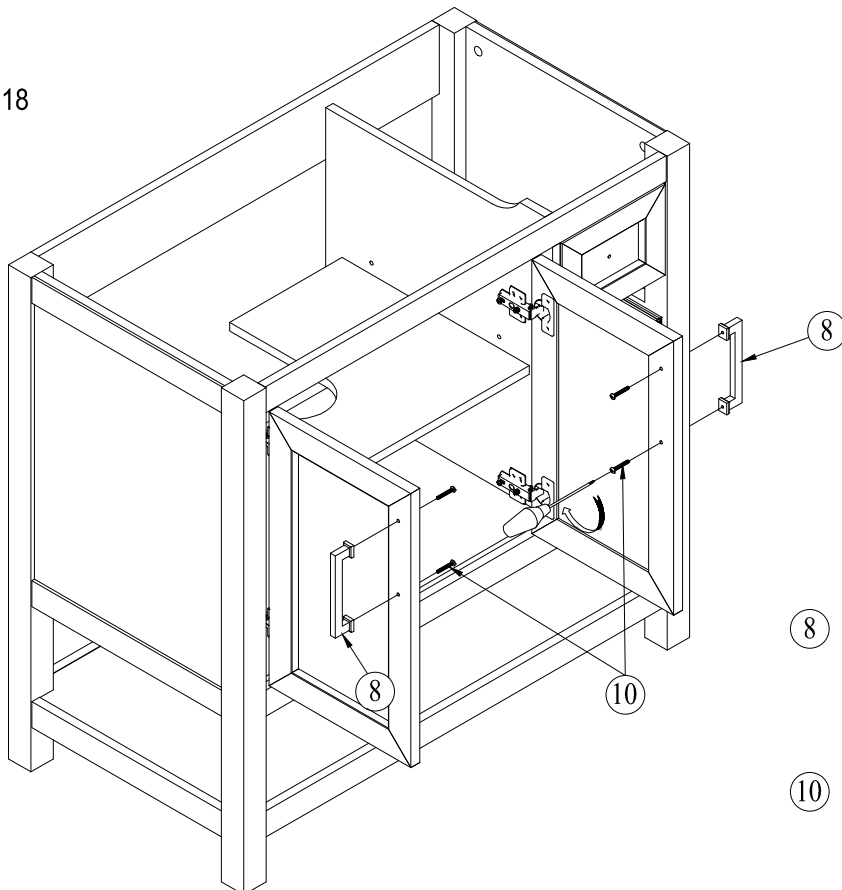


STEP 17



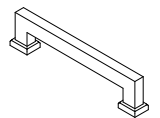
NOTE : Shelf is adjustable

STEP 18



8

L148mm  
Handle  
2pcs

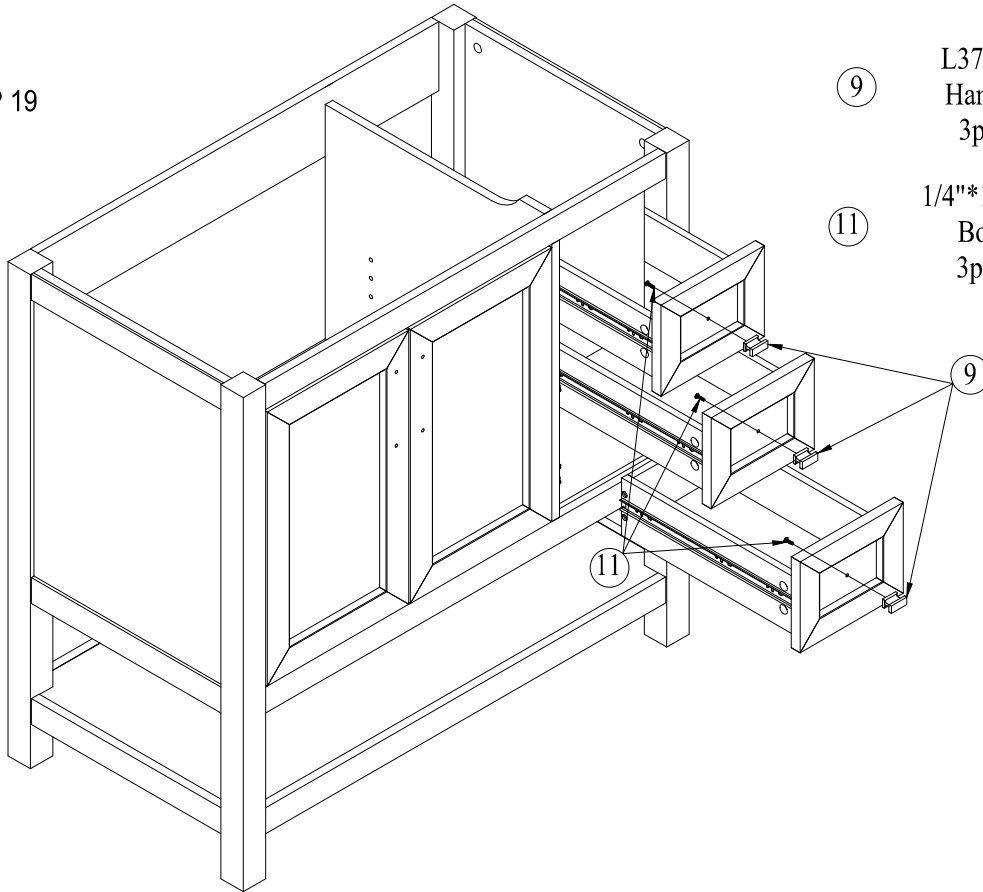


10

1/4"\*25mm  
Bolt  
4pcs



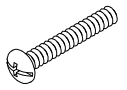
STEP 19



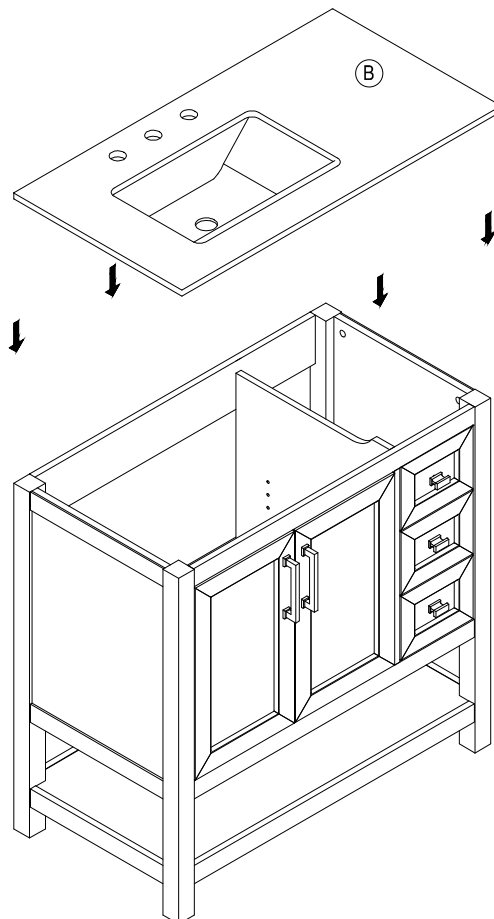
9 L37mm  
Handle  
3pcs



11 1/4" x 12mm  
Bolt  
3pcs

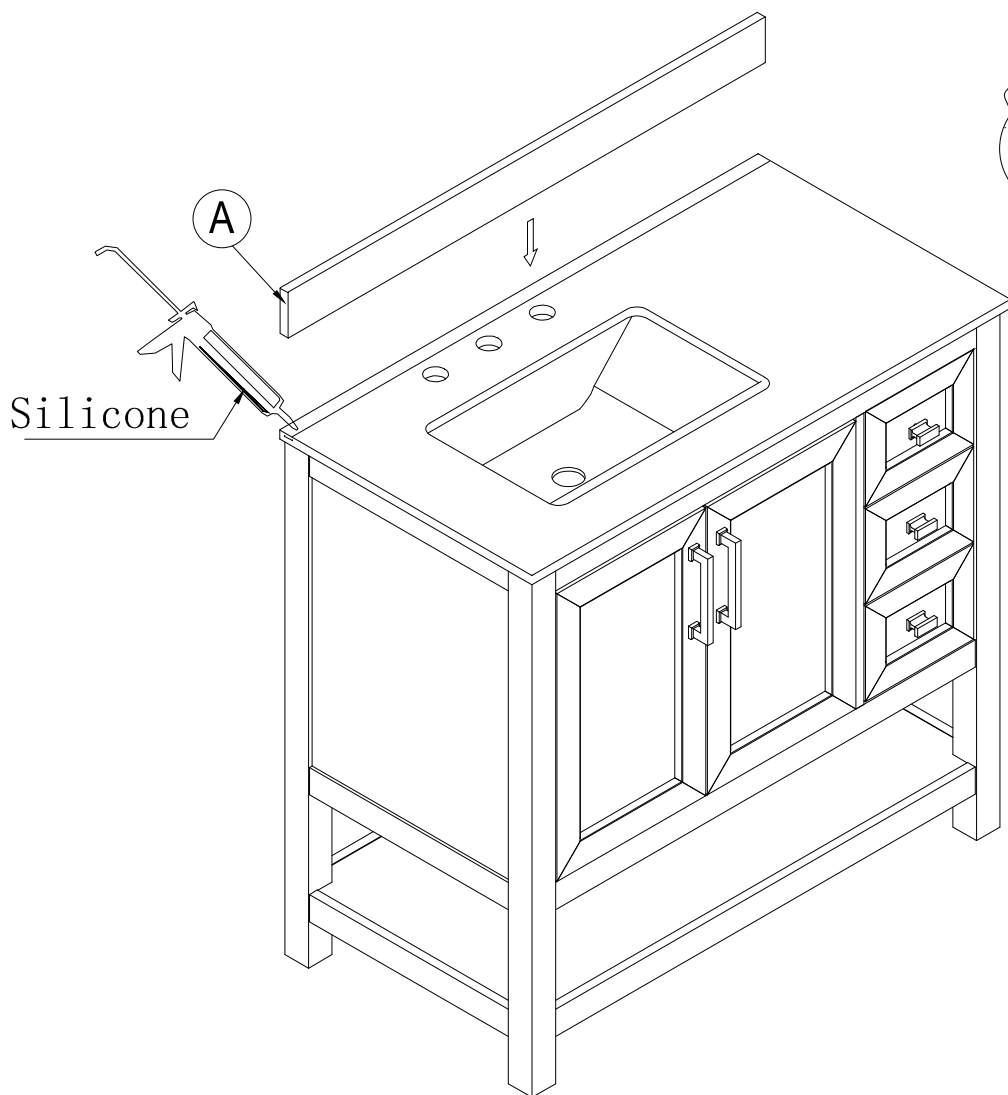


STEP 20



B

STEP 21





STEP 22

