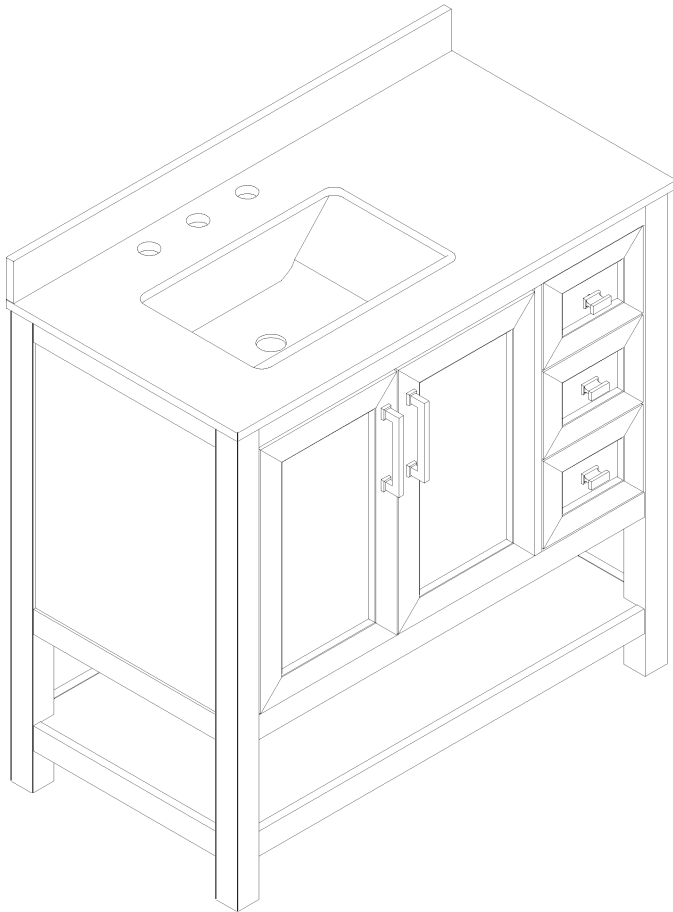


Thank you for your purchase!



Bathroom Vanity

ASSEMBLY INSTRUCTIONS

Before You Begin: Please see the required tools list (not included).

Please identify all component parts and hardware pieces required before you begin. Carefully remove all of the components from the packaging and set aside for assembly. Assemble on a soft surface to prevent scratching during assembly.

Caution:

Tighten all components securely before use. Failure to do so may result in personal injury. DO NOT use any sharp objects to open plastic wrapped components as damage to product or components may result.

Warning:

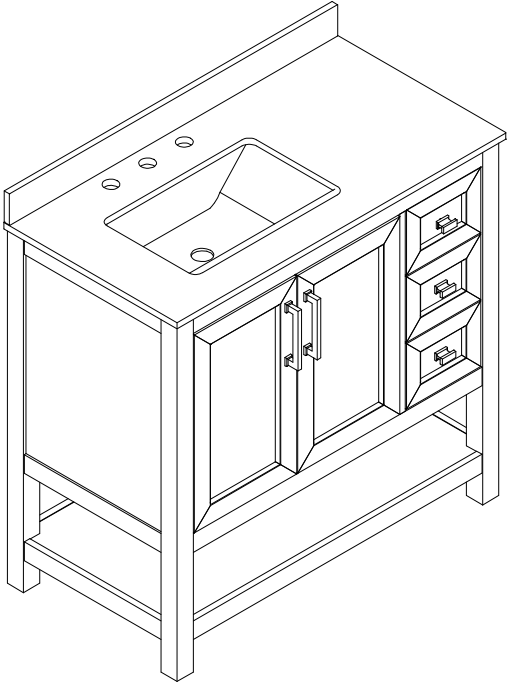
CHOKING HAZARD - Small Parts. Adult Assembly Required.

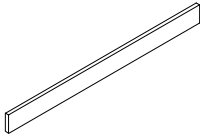
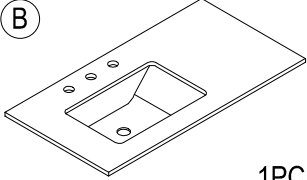
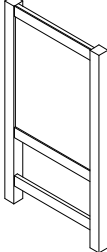
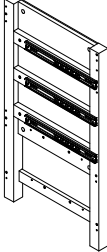
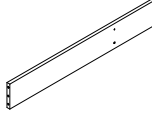
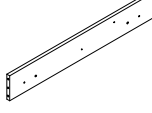
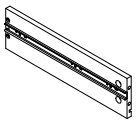
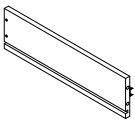
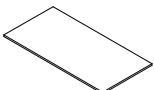
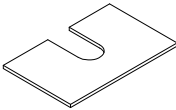
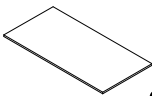
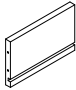
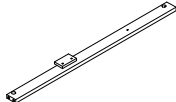
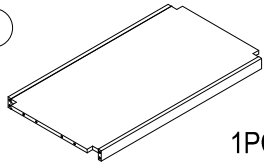
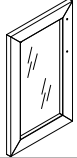
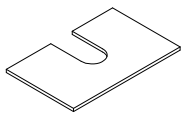
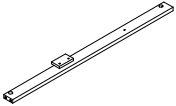
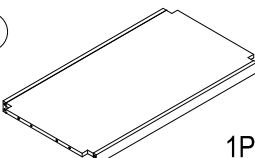
DO NOT ALLOW CHILDREN TO CLIMB ON FURNITURE

Serious or fatal injuries can occur from furniture tipping over. You must install Tipping Restraint Hardware (where included) to help prevent the unit from tipping and causing accidental injury, instability, death or damage. The tipping restraint is intended only as a safety measure, it is not a substitute for proper adult supervision.

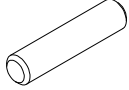
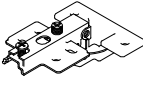
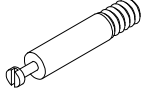
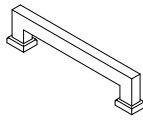

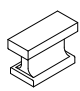
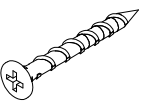
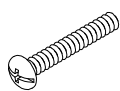
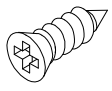
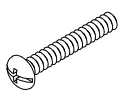
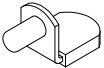
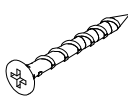
To help prevent furniture from tipping over it must be permanently attached to the wall. Anti-Tip Safety Wall Straps suitable for the unit weight and wall materials (if not included) should be purchased and installed.

PARTS LIST

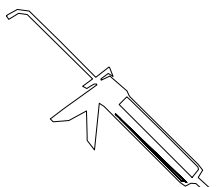


 <p>A</p> <p>1PC</p>	 <p>B</p> <p>1PC</p>
 <p>C</p> <p>1PC</p>	 <p>D</p> <p>1PC</p>
 <p>E</p> <p>1PC</p>	 <p>F</p> <p>1PC</p>
 <p>M</p> <p>3PCS</p>	 <p>N</p> <p>3PCS</p>
 <p>G</p> <p>1PC</p>	 <p>H</p> <p>1PC</p>
 <p>O</p> <p>3PCS</p>	 <p>P</p> <p>3PCS</p>
 <p>I</p> <p>1PC</p>	 <p>J</p> <p>1PC</p>
 <p>Q</p> <p>1PC</p>	 <p>R</p> <p>1PC</p>
 <p>S</p> <p>1PC</p>	 <p>K</p> <p>3PCS</p>

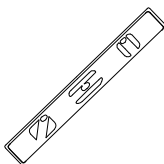
HARDWARE LIST

ITEM	DESCRIPTION	QTY	ITEM	DESCRIPTION	QTY
①	Ø8*30mm WOOD DOWELS 	25 pcs	⑦	Ø35 Euro Hinge 	4 pcs
②	Ø6*34mm CAMLOCK 	42 pcs	⑧	L150mm Handle 	2 pcs
③	Ø15*9mm CAMLOCK 	42 pcs	⑨	L37mm Handle 	3 pcs
④	#4*50mm SCREW 	2 pcs	⑩	1/4"*25mm Bolt 	4 pcs
⑤	#3.5*15 SCREW 	24 pcs	⑪	1/4"*12mm Bolt 	3 pcs
⑥	20x18x14mm Shelf Pin 	4 pcs	⑫	#4*28mm SCREW 	12 pcs

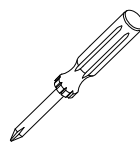
TOOLS REQUIRED (Not Included)



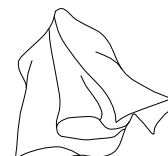
Silicone
Sealant



Level



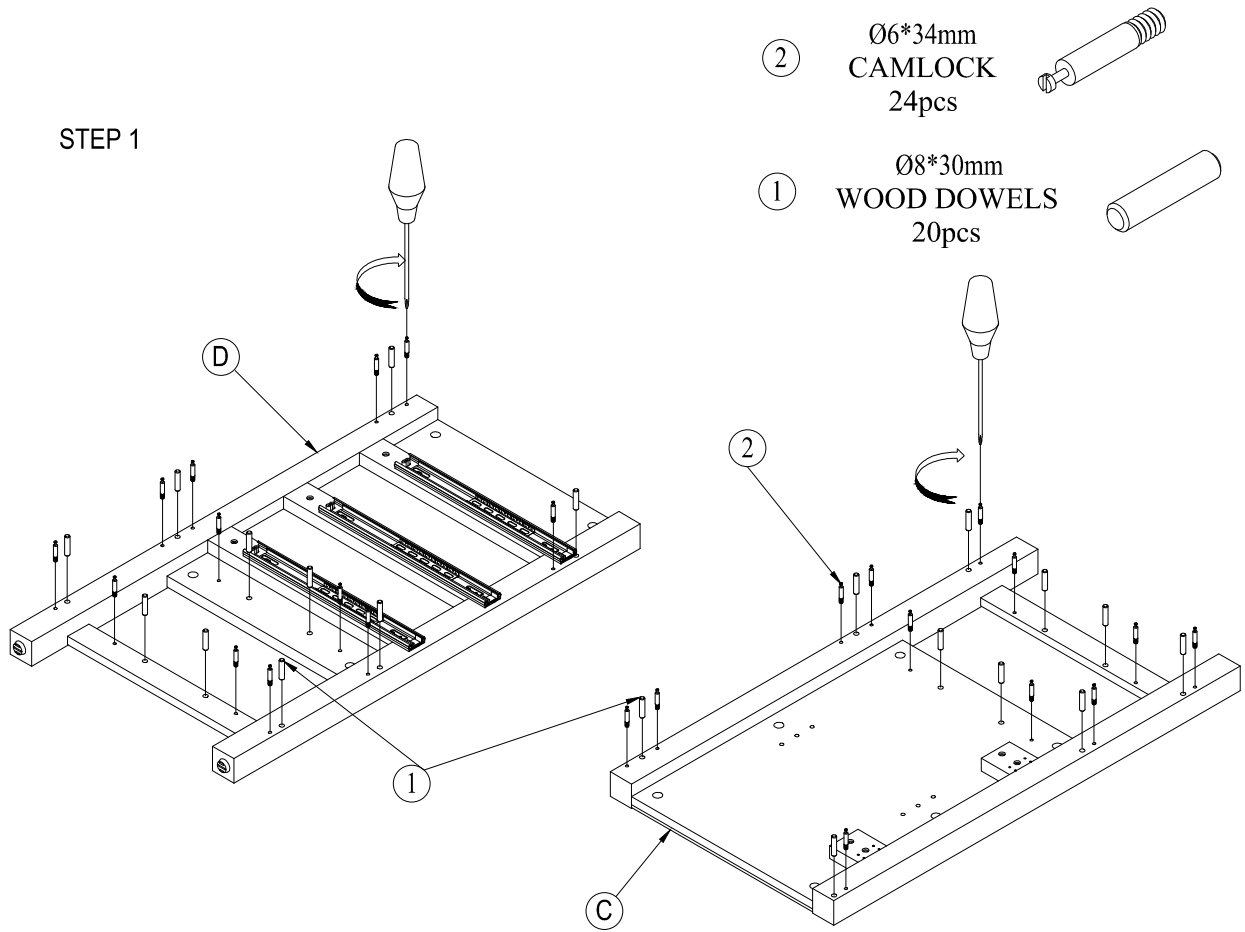
Phillips
Screwdriver



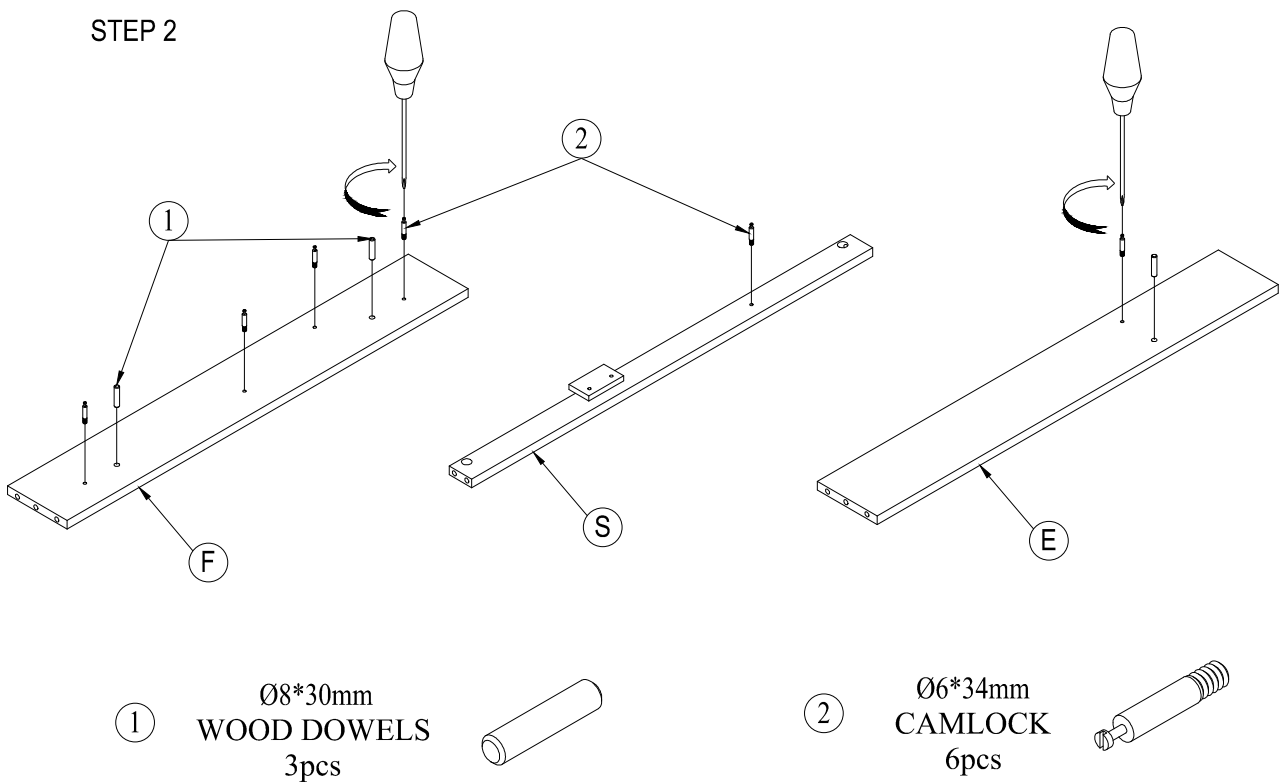
Clean rag

INSTALLATION

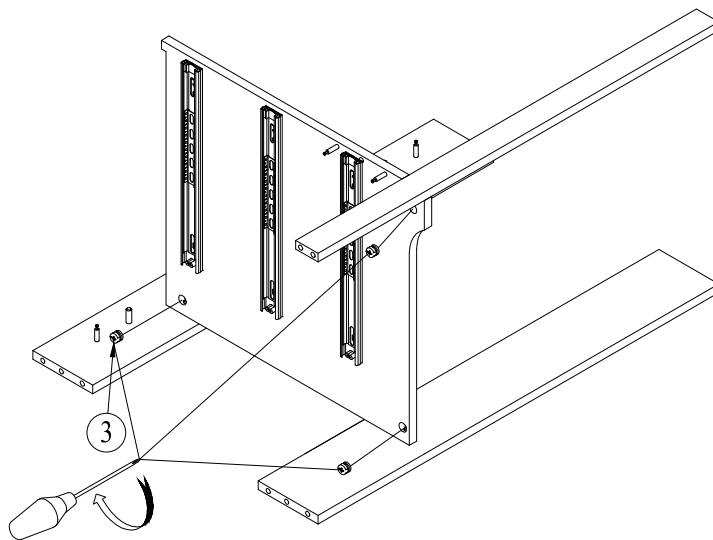
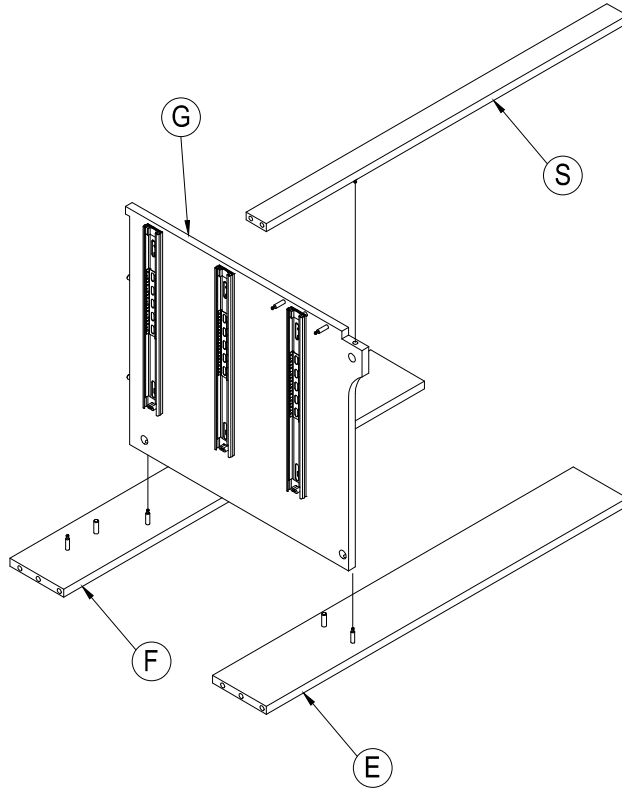
STEP 1



STEP 2

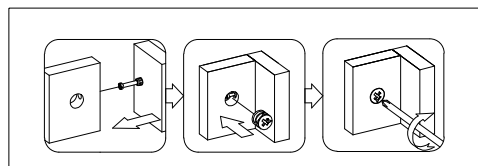


STEP 3

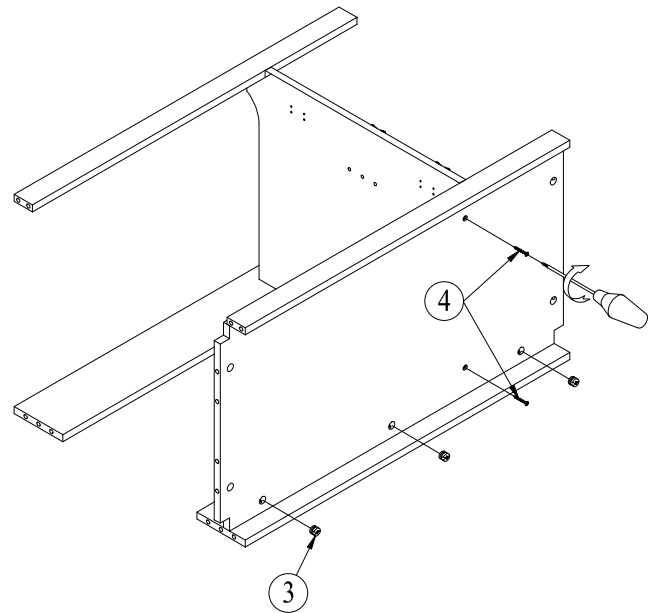
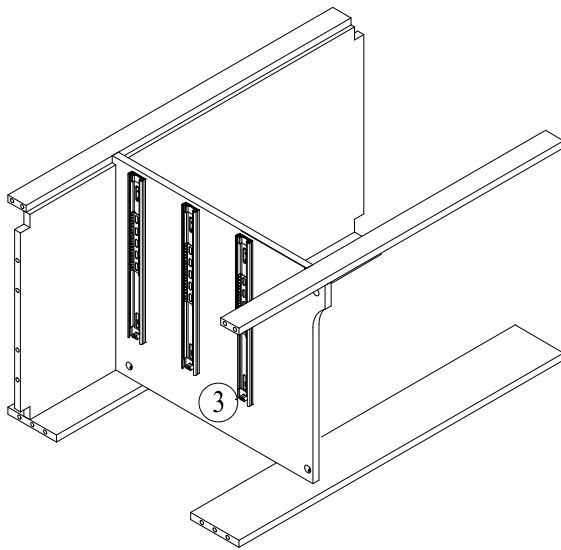
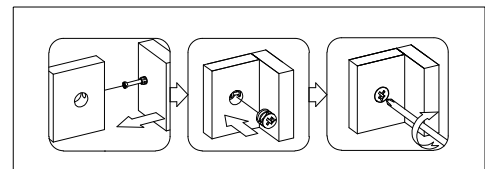
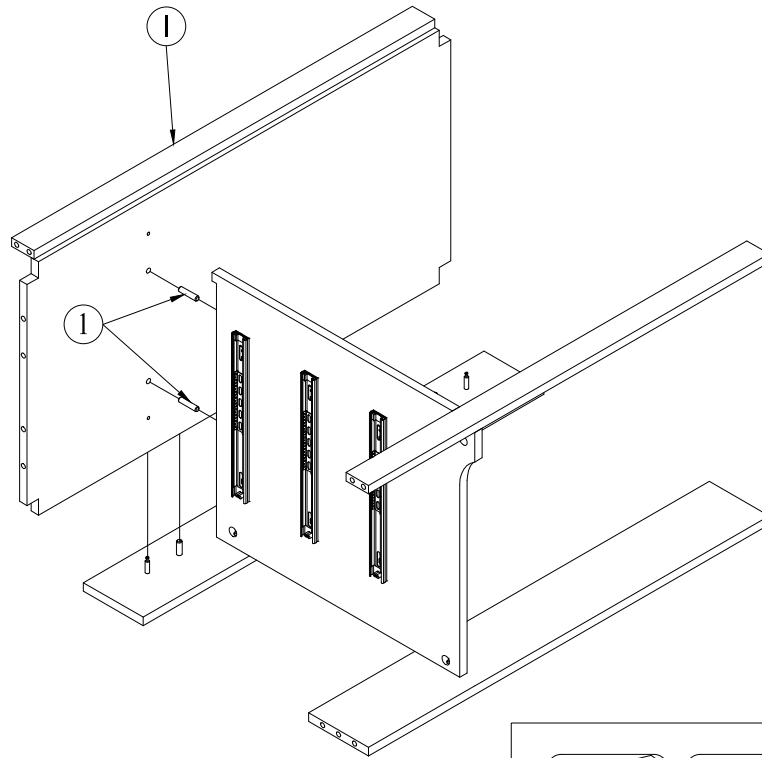


③

Ø15*9mm
CAMLOCK
3pcs



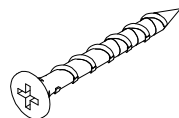
STEP 4



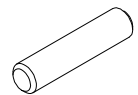
③ Ø15*9mm
CAMLOCK
3pcs



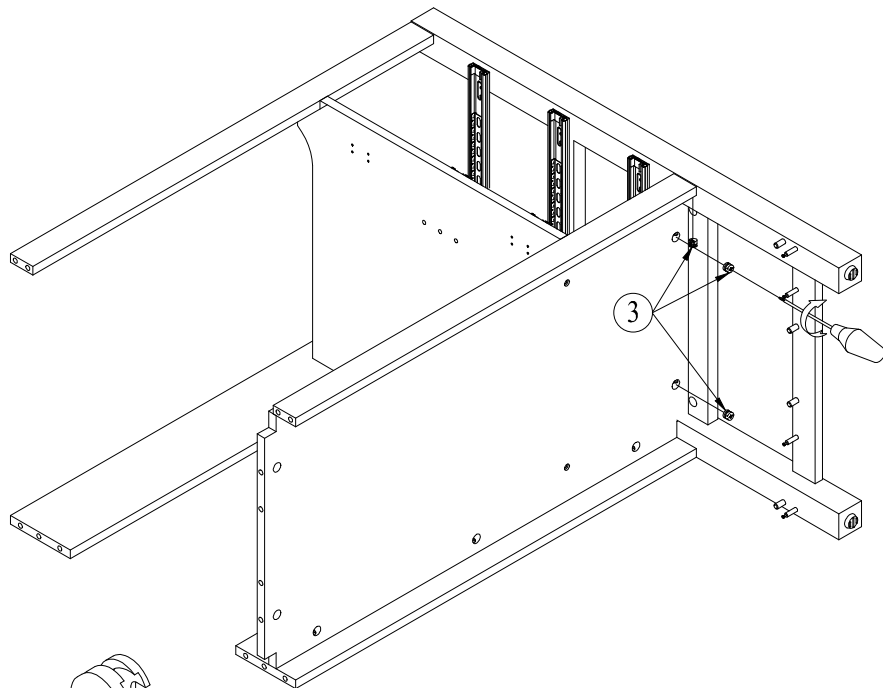
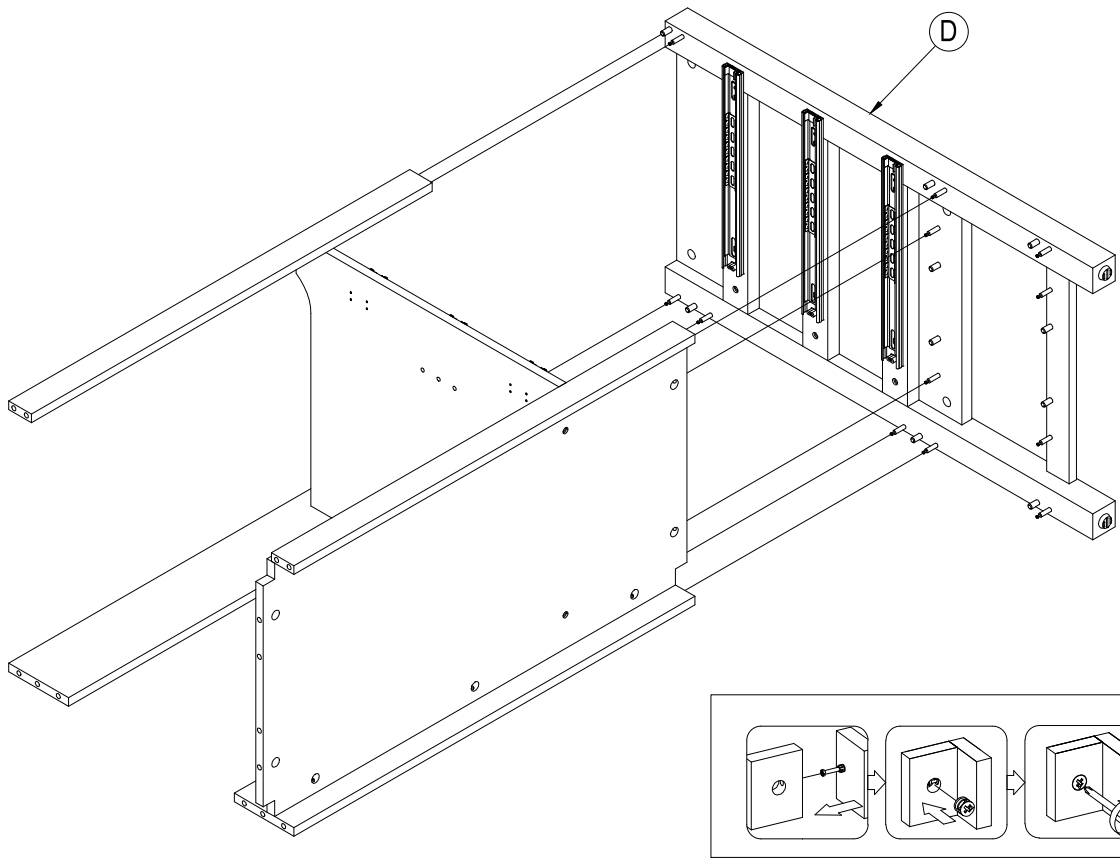
④ #4*50mm
SCREW
2pcs



① Ø8*30mm
WOOD DOWELS
3pcs



STEP 5

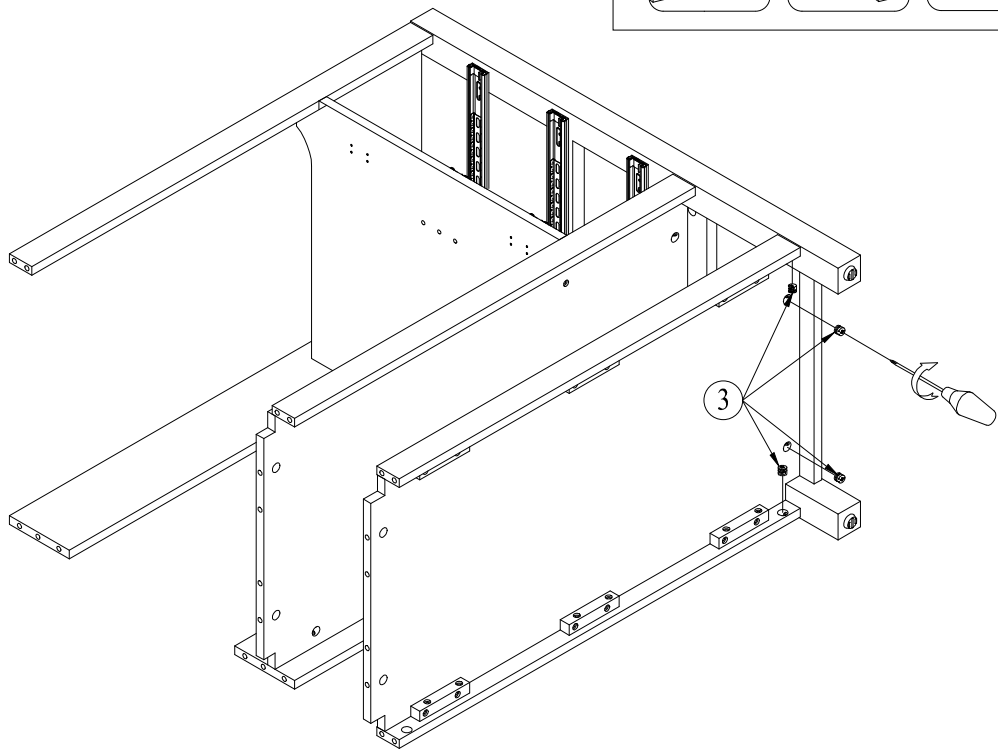
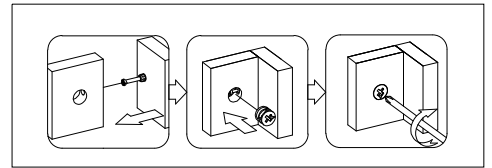
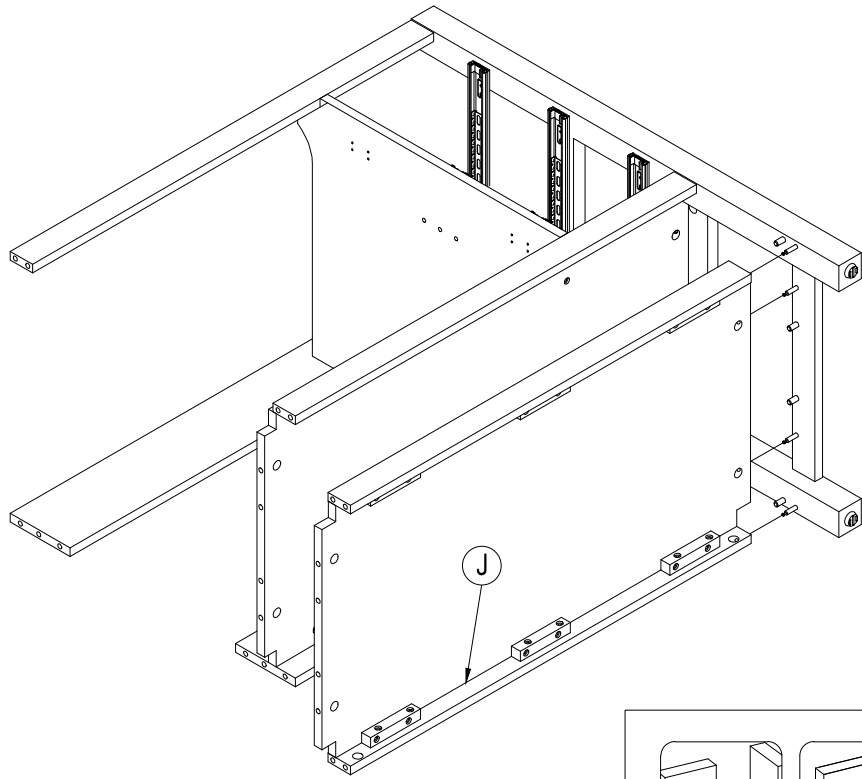


3

Ø15*9mm
CAMLOCK
3pcs



STEP 6

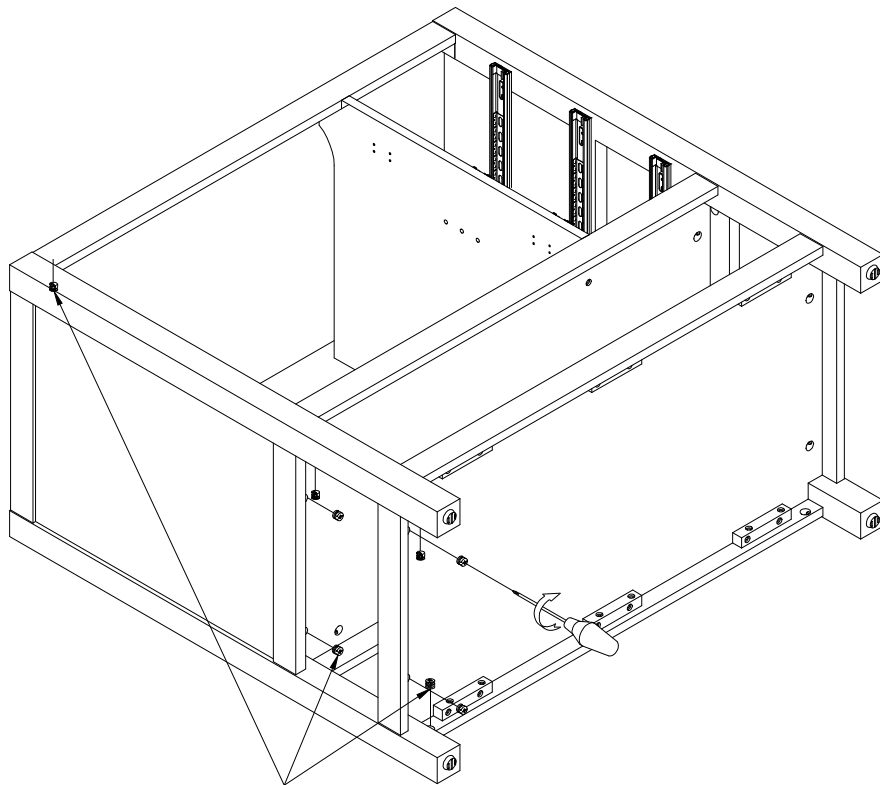
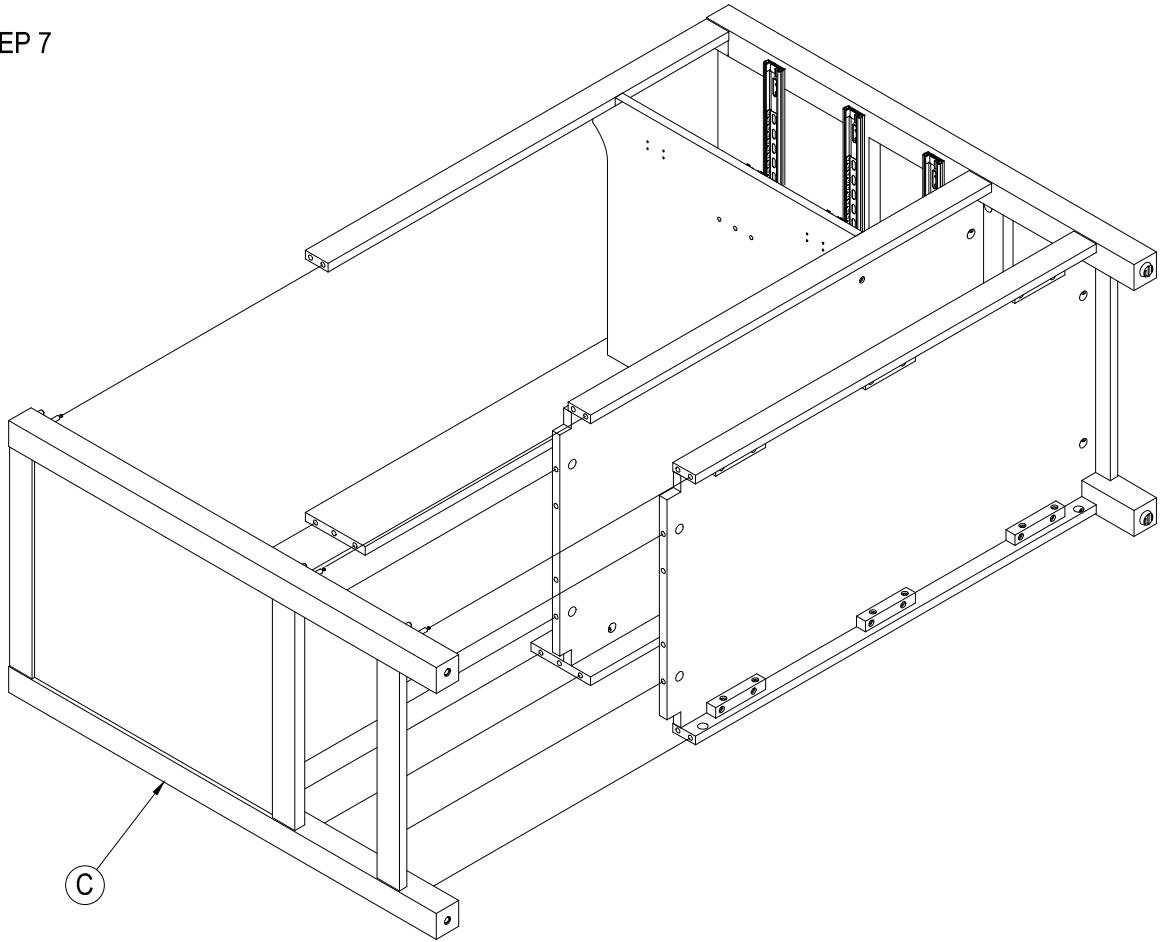


3

Ø15*9mm
CAMLOCK
4pcs



STEP 7



3

Ø15*9mm
CAMLOCK
8pcs

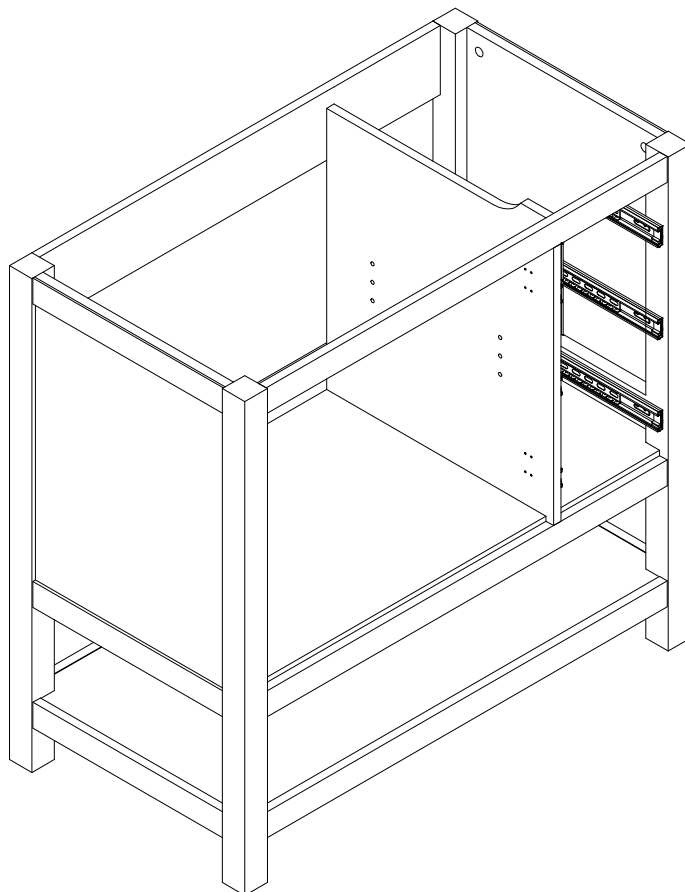
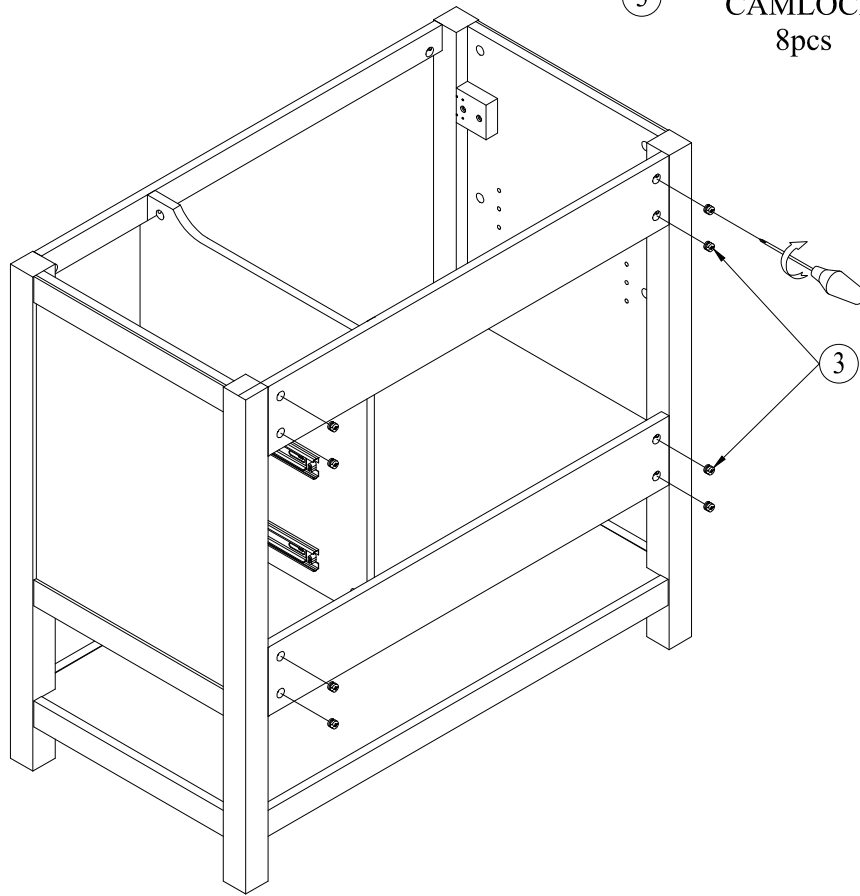


3

STEP 8

3

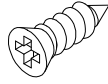
Ø15*9mm
CAMLOCK
8pcs



STEP 9

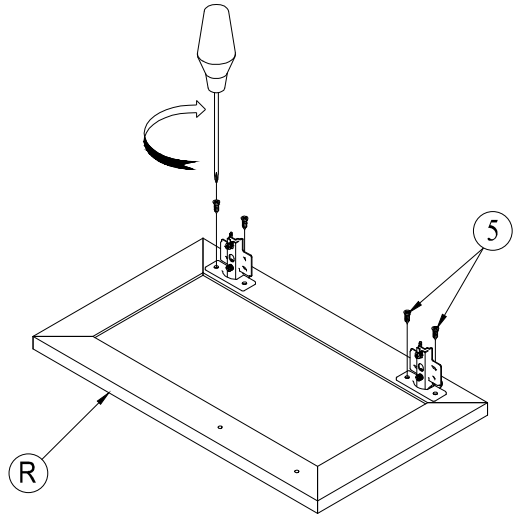
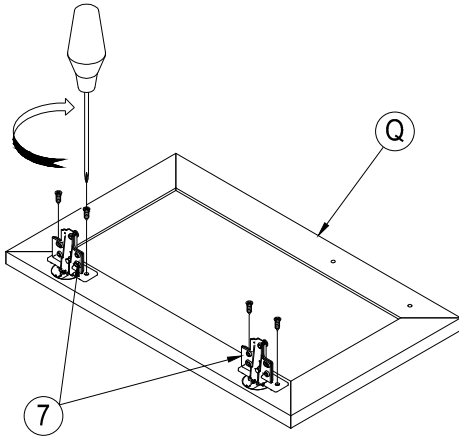
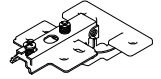
5

#3.5*15
SCREW
8pcs



7

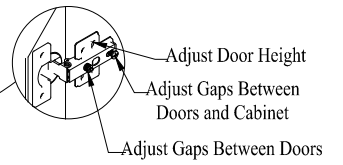
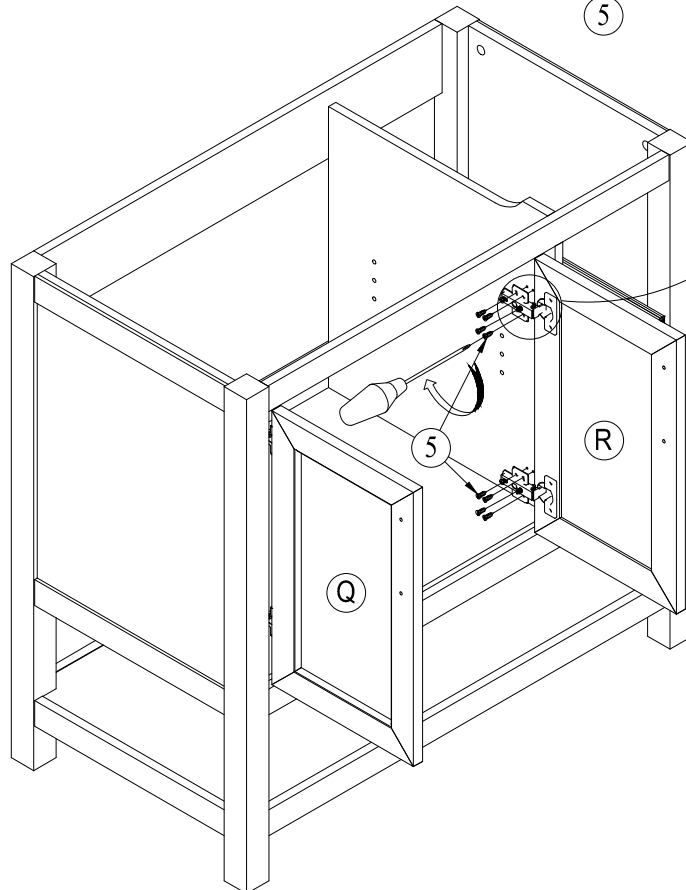
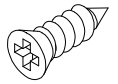
Ø35
Euro Hinge
4pcs



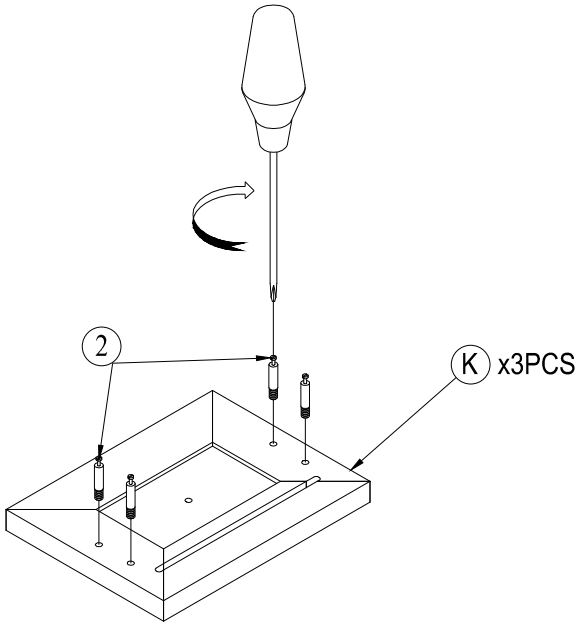
STEP 10

5

#3.5*15
SCREW
16 pcs



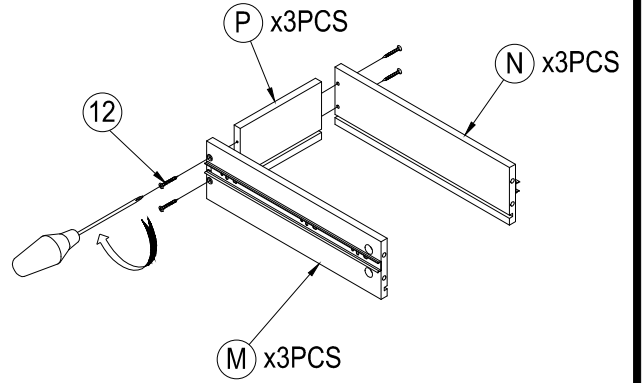
STEP 11



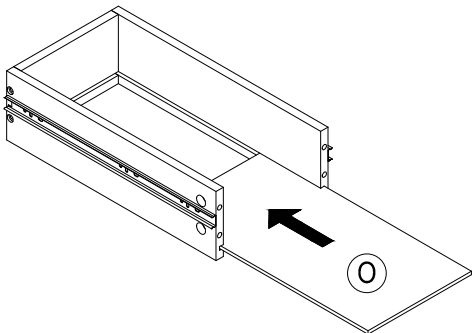
② Ø6*34mm
CAMLOCK
12pcs

STEP 12

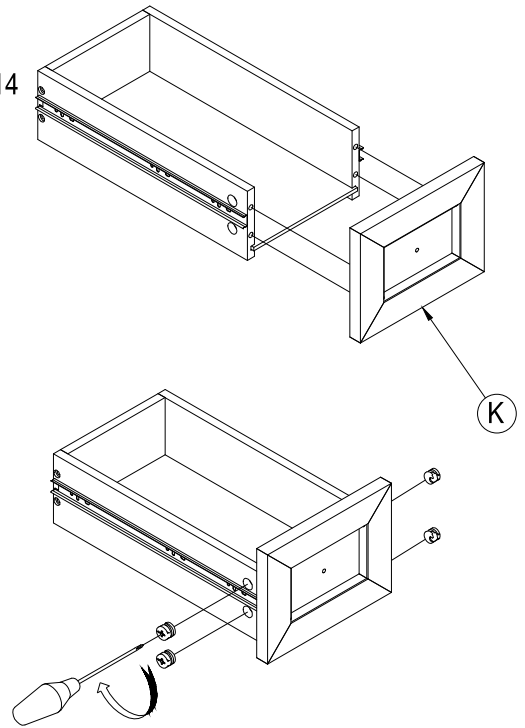
⑫ #4*28mm
SCREW
12pcs



STEP 13

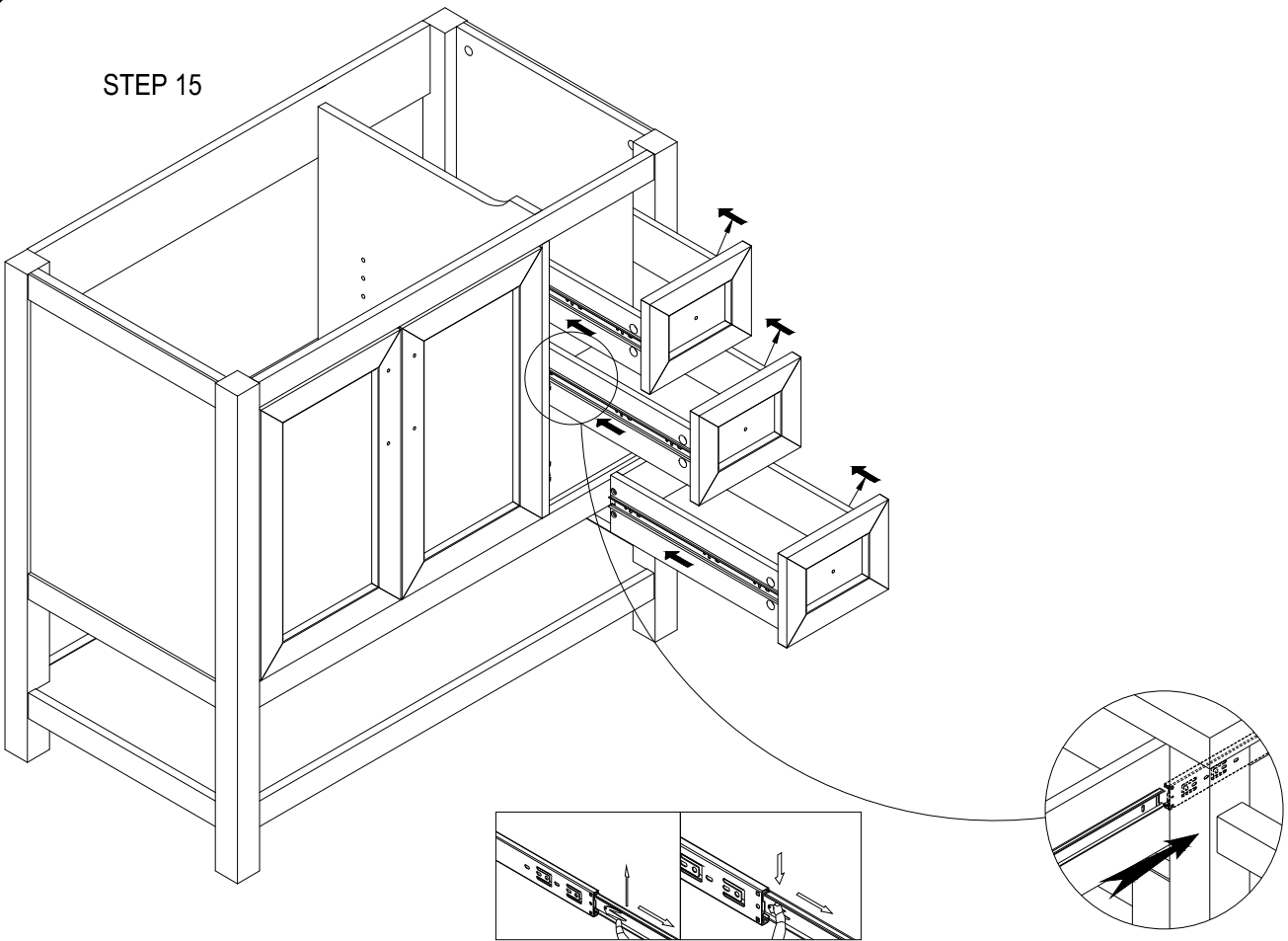


STEP 14



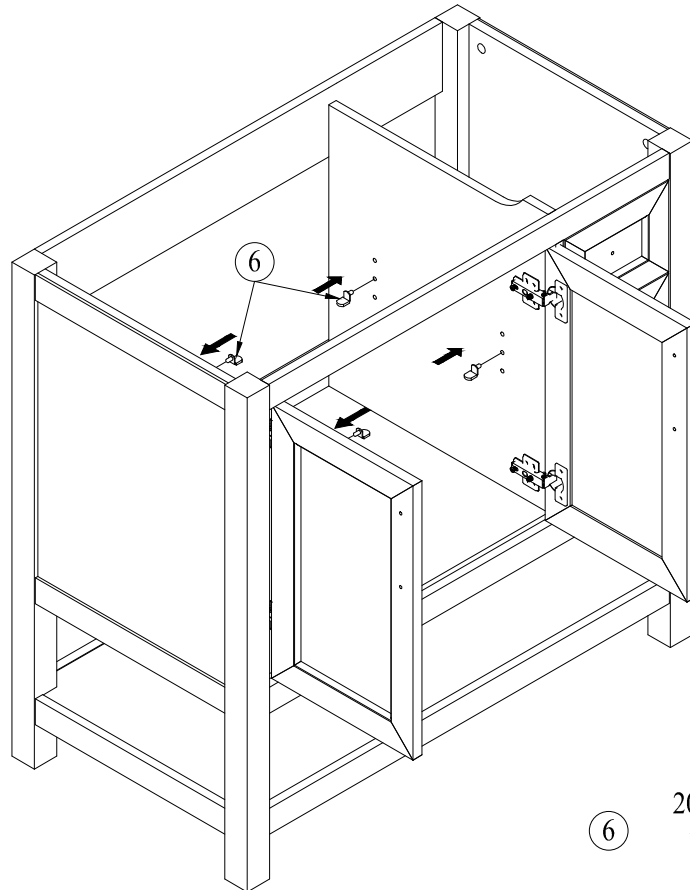
③ Ø15*9mm
CAMLOCK
12pcs

STEP 15



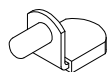
NOTE : Drawers are removable

STEP 16

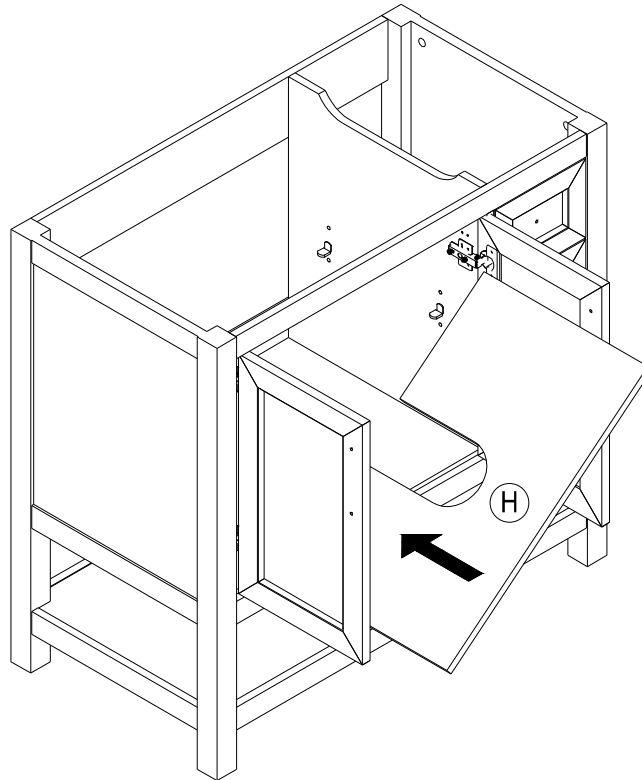


6

20x18x14mm
Shelf Pin
4pcs

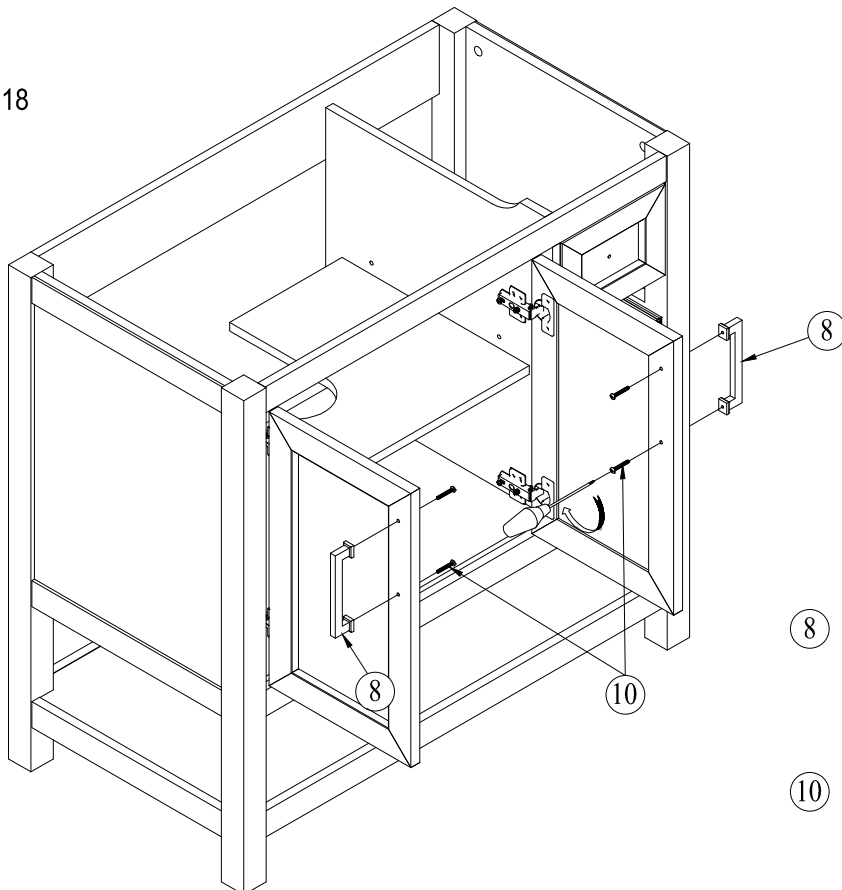


STEP 17



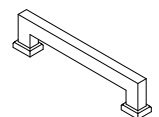
NOTE : Shelf is adjustable

STEP 18



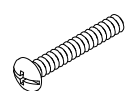
8

L148mm
Handle
2pcs

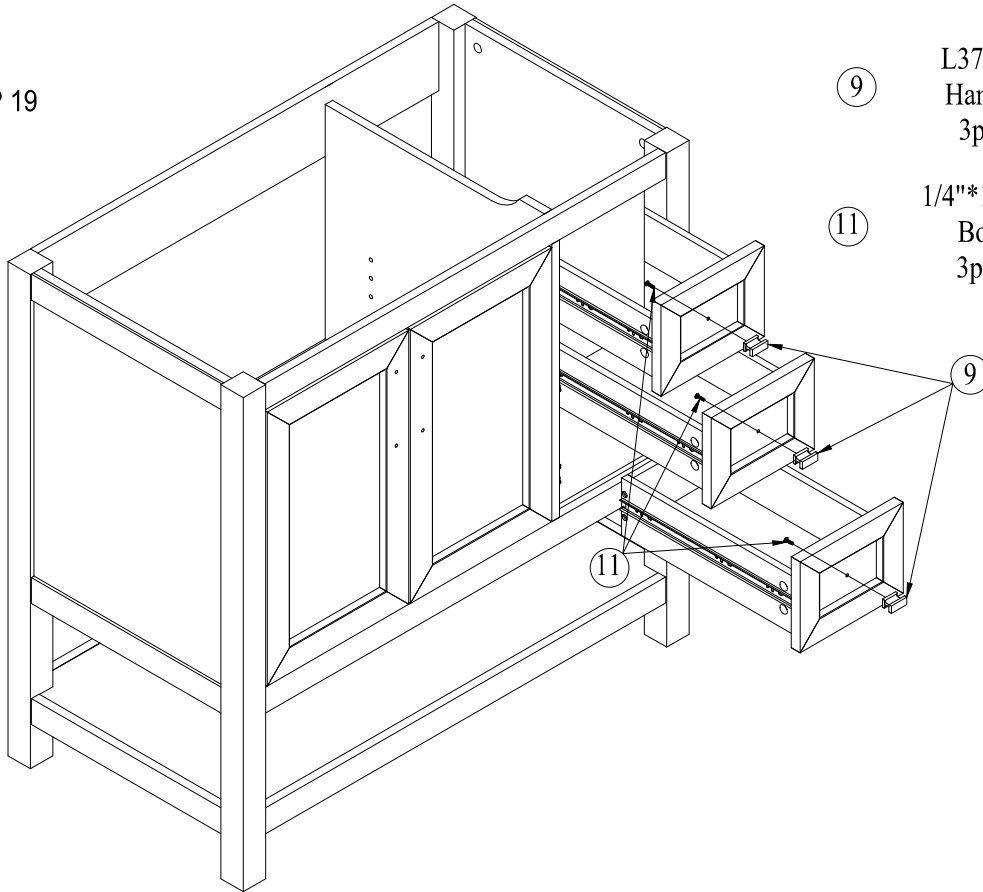


10

1/4"*25mm
Bolt
4pcs



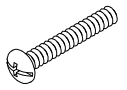
STEP 19



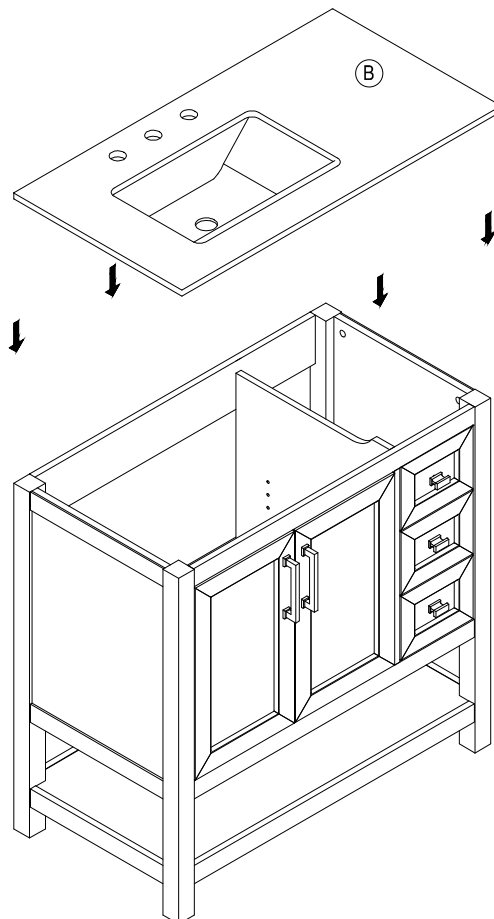
9 L37mm
Handle
3pcs



11 1/4" x 12mm
Bolt
3pcs

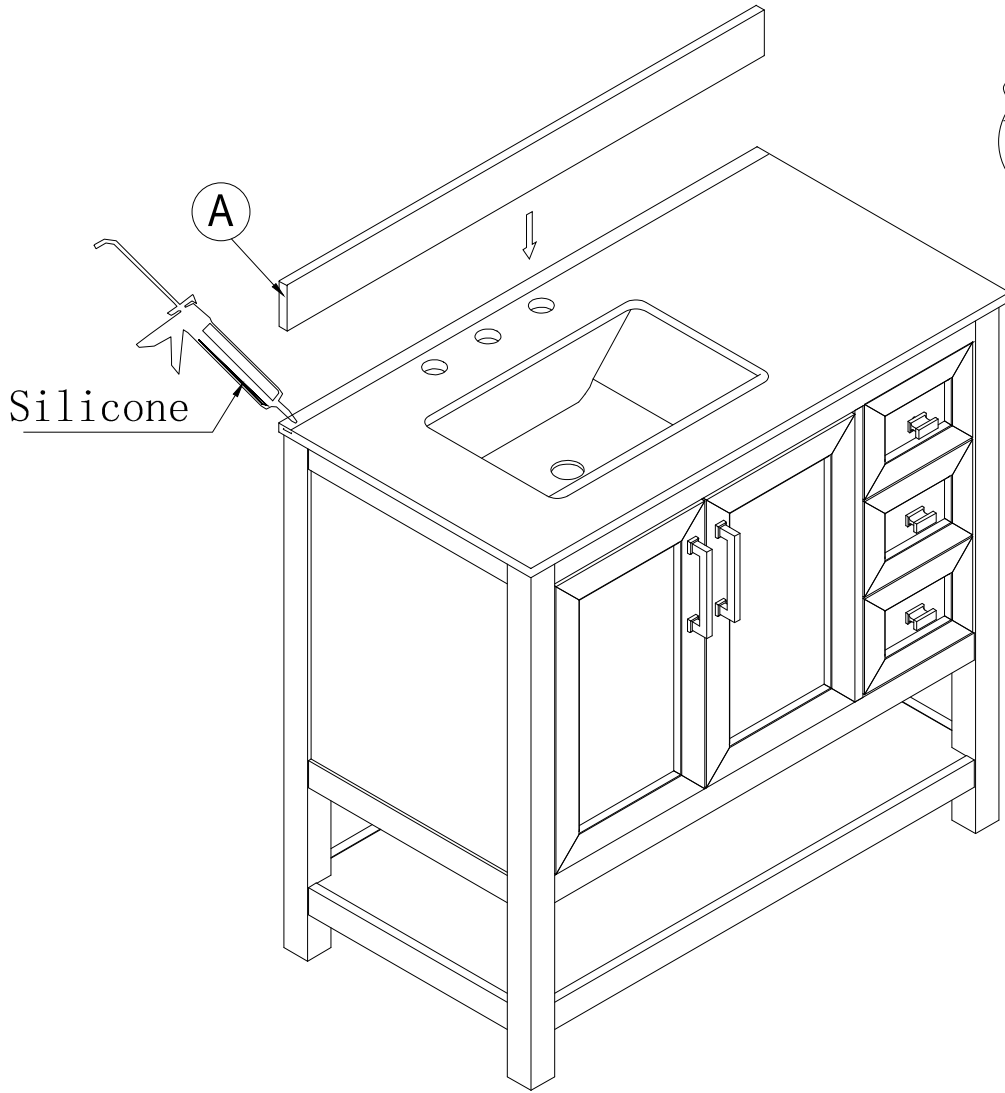


STEP 20



B

STEP 21



STEP 22

