

Thank you for your purchase!



Swivel Task Chair

(Arms Sold Separately)

ASSEMBLY INSTRUCTIONS

Before You Begin:

Please identify all component parts and hardware pieces required before you begin. Carefully remove all of the components from the packaging and set aside for assembly. Assemble on a soft surface to prevent scratching during assembly.

Caution:

Tighten all components securely before use. Failure to do so may result in personal injury.

DO NOT use any sharp objects to open plastic wrapped components as damage to product or components may result.

Warning:

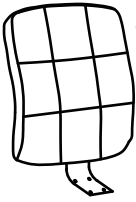

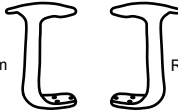
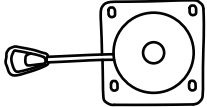


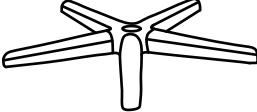


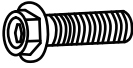


CHOKING HAZARD - Small Parts. Adult Assembly Required.

DO NOT ALLOW CHILDREN TO CLIMB ON FURNITURE

Serious or fatal injuries can occur from furniture tipping over. You must install Tipping Restraint Hardware (where included) to help prevent the unit from tipping and causing accidental injury, instability, death or damage. The tipping restraint is intended only as a safety measure, it is not a substitute for proper adult supervision.

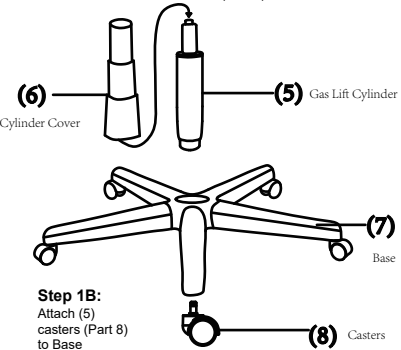
To help prevent furniture from tipping over it must be permanently attached to the wall. Anti-Tip Safety Wall Straps suitable for the unit weight and wall materials (if not included) should be purchased and installed.

PARTS

<p>(1)*1</p>  <p>Chair Back</p>	<p>(2)*1</p>  <p>Seat</p>	<p>(3)*1(L)*1(R)</p> <p>Only for models with arms. Will not be included with armless model.</p>  <p>Left Arm Right Arm</p>	<p>(4)*1</p>  <p>Lift Mechanism</p>
<p>(5)*1</p>  <p>Gas Lift Cylinder</p>	<p>(6)*1</p>  <p>Cylinder Cover</p>	<p>(7)*1</p>  <p>Base</p>	<p>(8)*5</p>  <p>Casters</p>
<p>(9)*4</p>  <p>Short Bolts</p>	<p>(10)*4</p>  <p>Medium Bolts</p>	<p>(11)*6</p>  <p>Long Bolts</p>	<p>(12)*1</p>  <p>Allen Wrench</p>

STEP 1

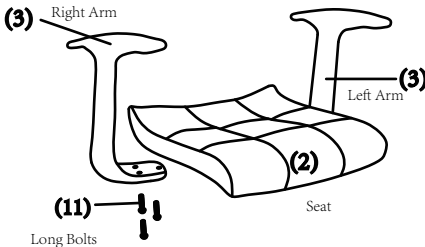
STEP 1A: Place cylinder cover (Part 6) over Gas Lift Cylinder (Part 5) then insert Gas Lift Cylinder into the Base (Part 7)



Step 1B: Attach (5) casters (Part 8) to Base

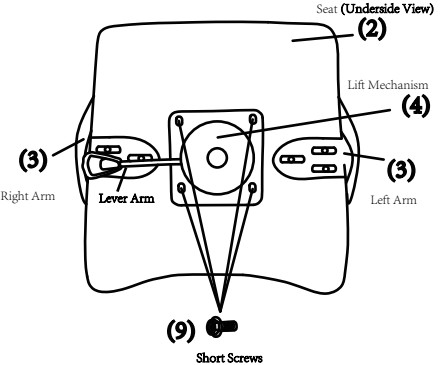
STEP 2

STEP 2: (Only for models with included arms)
Attach Left and Right Arms (Part 3) to Seat (Part 2) using (6) long bolts (Part 11)



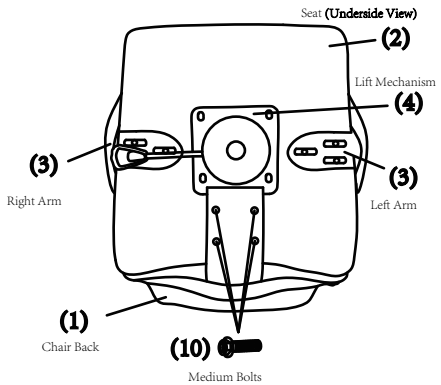
STEP 3

STEP 3: Attach Lift Mechanism (Part 4) to the underside of the Seat using (4) Short Bolts (Part 9). **Note: Lever Arm should be pointing toward the Right Arm.**



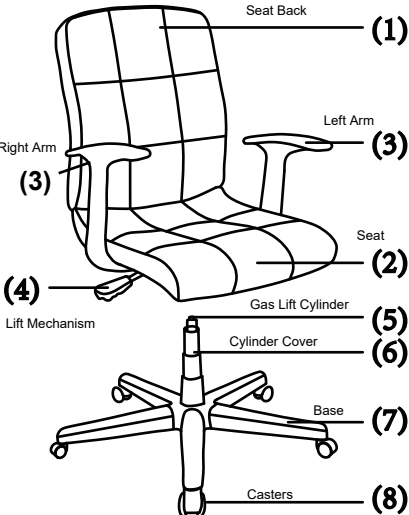
STEP 4

STEP 4: Attach Chair Back (Part 1) to underside of Seat using (4) Medium Bolts (Part 10)



STEP 5

STEP 5: Place assembled seat onto the Gas Lift Cylinder



STEP 6

STEP 6: Ensure all bolts are securely tightened

