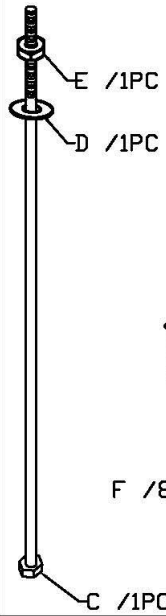
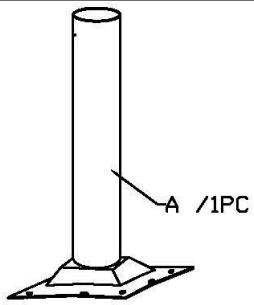
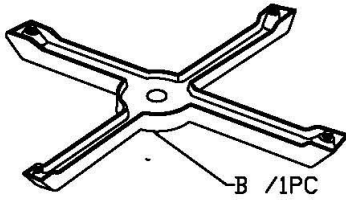
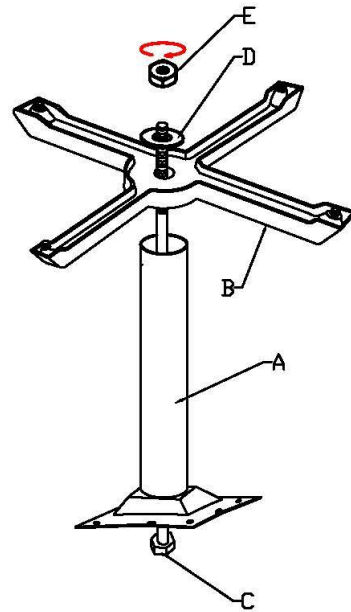


ASSEMBLY INSTRUCTION

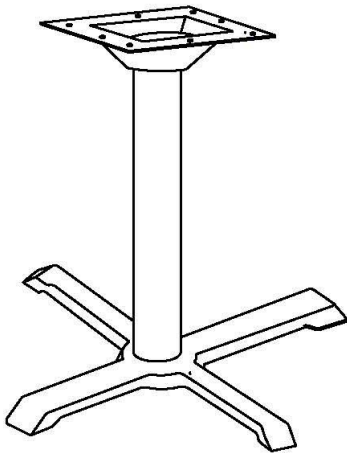
PARTS LIST



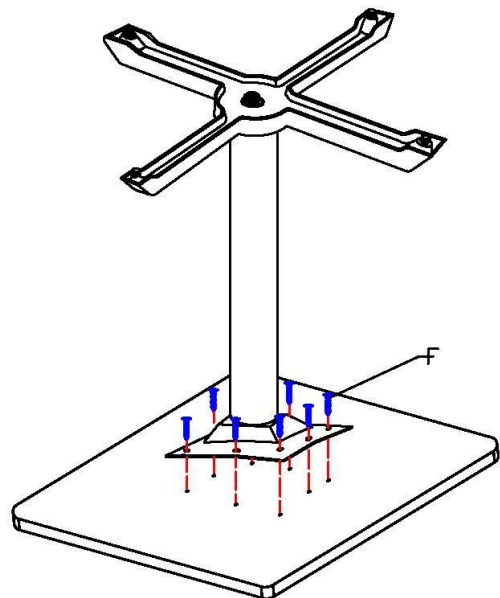
STEP 1.



STEP 2.

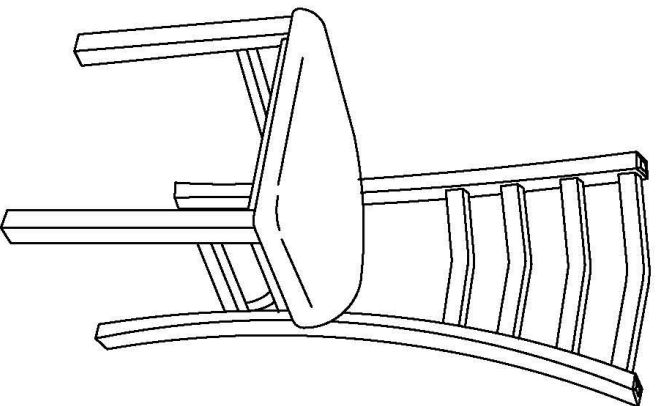
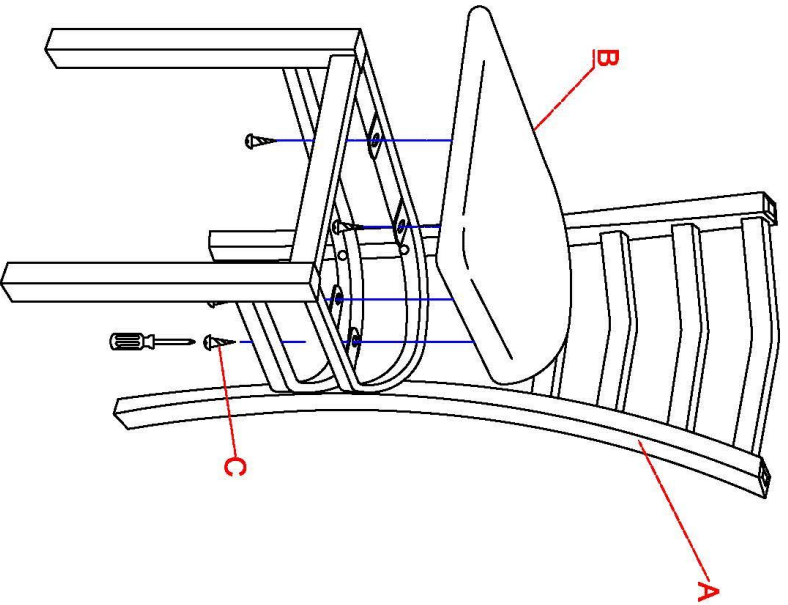


STEP 3.




# Assembly Instruction

## STEP 1.



**FINISH**

PART LIST	QTY
A FRAME	1pc
B SEAT	1pc
C  SCREW M5*16mm	4pcs