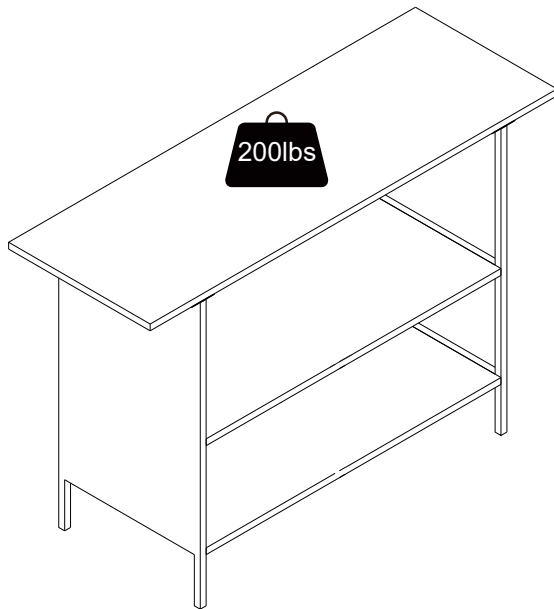


Thank you for your purchase!



## BAR TABLE

# ASSEMBLY INSTRUCTIONS

### **Before You Begin:**

Please identify all component parts and hardware pieces required before you begin. Carefully remove all of the components from the packaging and set aside for assembly. Assemble on a soft surface to prevent scratching during assembly.

### **Caution:**

Tighten all components securely before use. Failure to do so may result in personal injury. DO NOT use any sharp objects to open plastic wrapped components as damage to product or components may result.

### **Warning:**

**CHOKING HAZARD** - Small Parts. Adult Assembly Required.

### **DO NOT ALLOW CHILDREN TO CLIMB ON FURNITURE**

Serious or fatal injuries can occur from furniture tipping over. You must install Tipping Restraint Hardware (where included) to help prevent the unit from tipping and causing accidental injury, instability, death or damage. The tipping restraint is intended only as a safety measure, it is not a substitute for proper adult supervision.

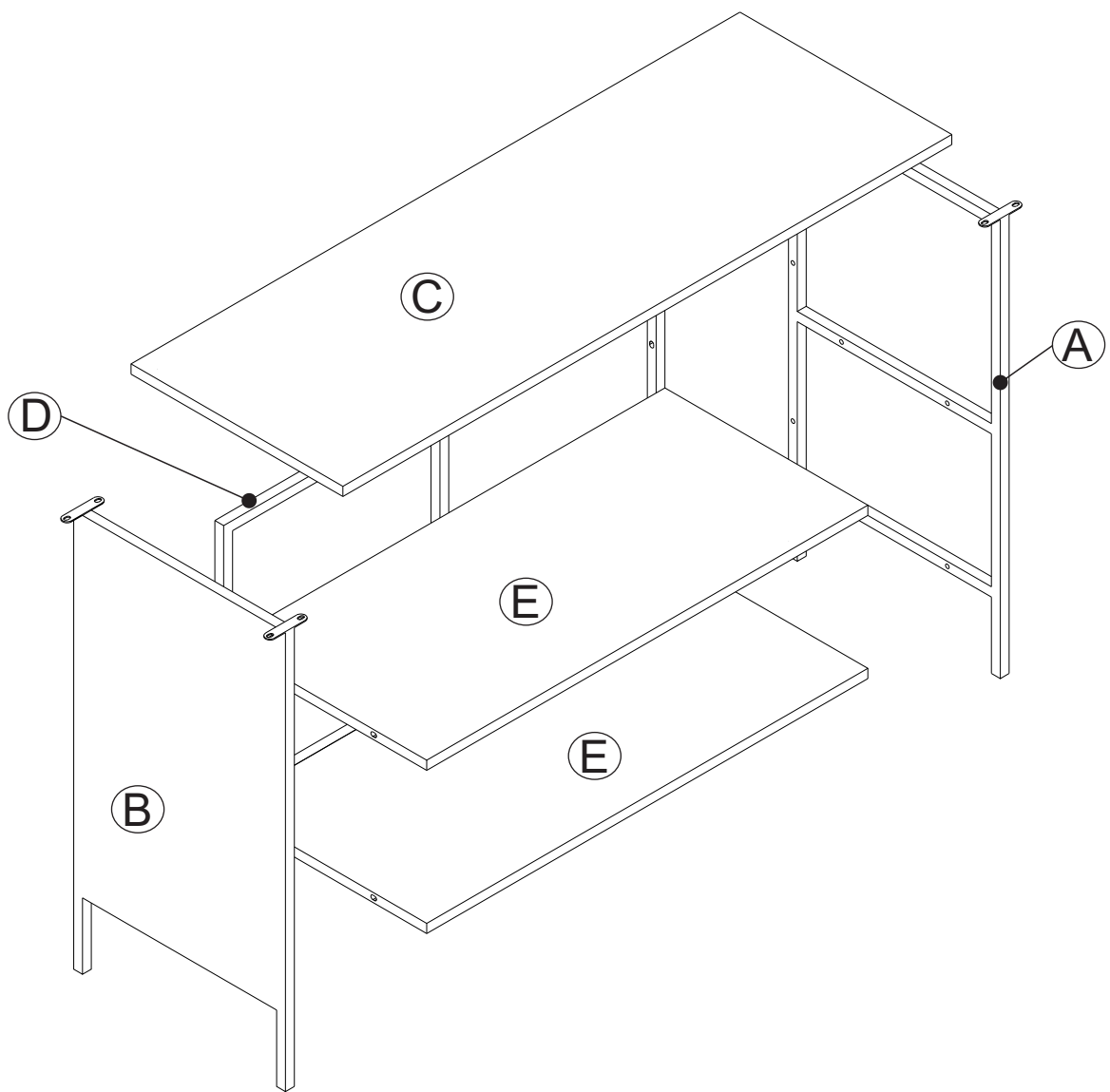
To help prevent furniture from tipping over it must be permanently attached to the wall. Anti-Tip Safety Wall Straps suitable for the unit weight and wall materials (if not included) should be purchased and installed.

.....

# ASSEMBLY INSTRUCTION

---

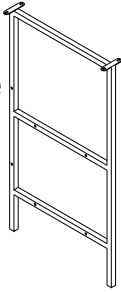
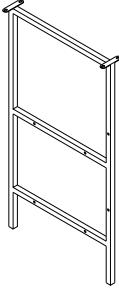
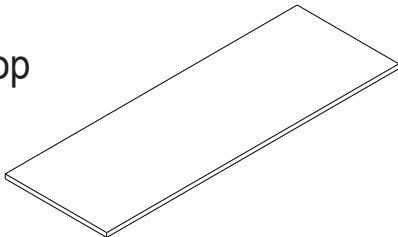
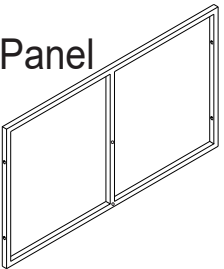
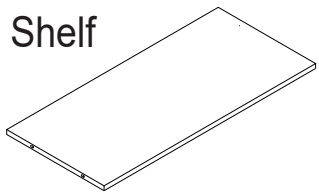
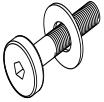
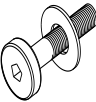
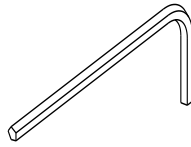




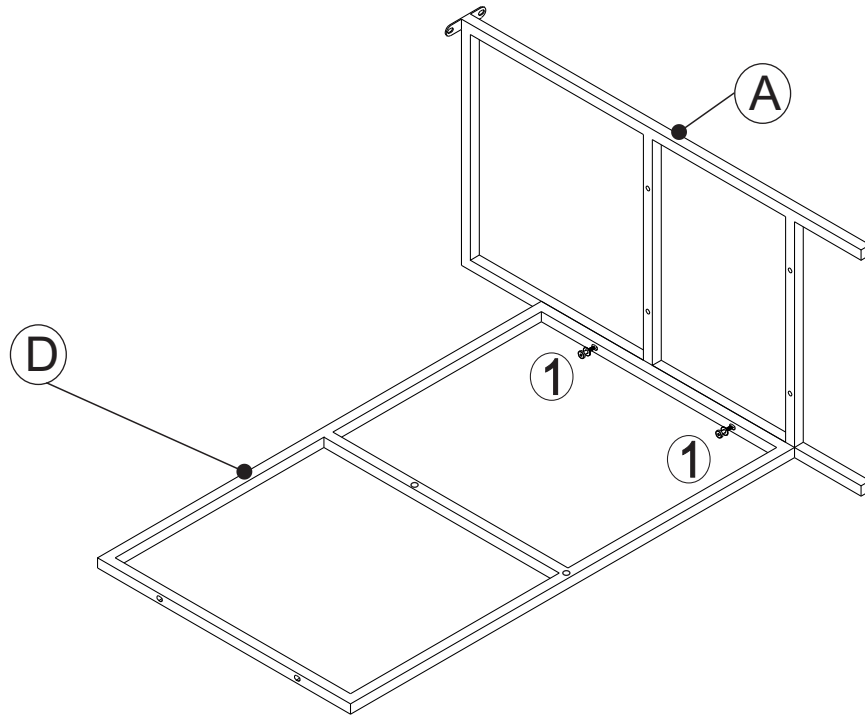
## NOTE:

1. Do not tighten screws more than 50% until all pieces are assembled. Power tools are not recommended for assembly.
2. If the screws are not aligned with holes during assembly, please loosen all other screws to 50% and continue the assembly process.
3. Once all pieces are assembled, place the item on a level surface and adjust making sure it remains stable.
4. Tighten all screws gradually with the provided Allen Wrench.
5. If the item is not stable, please loosen all the screws, adjust to the desired position, then and tighten all screws.
6. Note : If screws are fully tightened during assembly, chances are the others will not align with holes. All of the holes are designed to be relatively larger to provide more space for the adjustment of the screws.

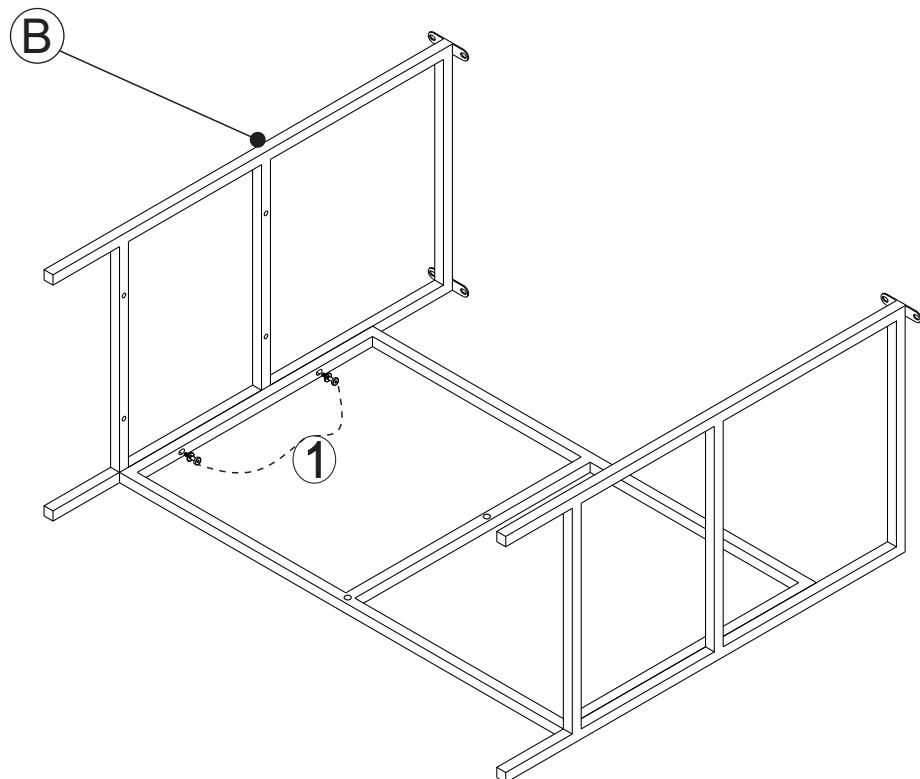
# Parts List & Hardware

<b>A</b> Right Side  (1pc)	<b>B</b> Left Side  (1pc)	<b>C</b> Top  (1pc)
<b>D</b> Rear Panel  (1pc)	<b>E</b> Shelf  (2pcs)	<b>1</b>  Bolt M6x35 (14pcs)
<b>2</b>  Bolt M6x15 (8pcs)	<b>3</b>  Allen Wrench (1pc)	

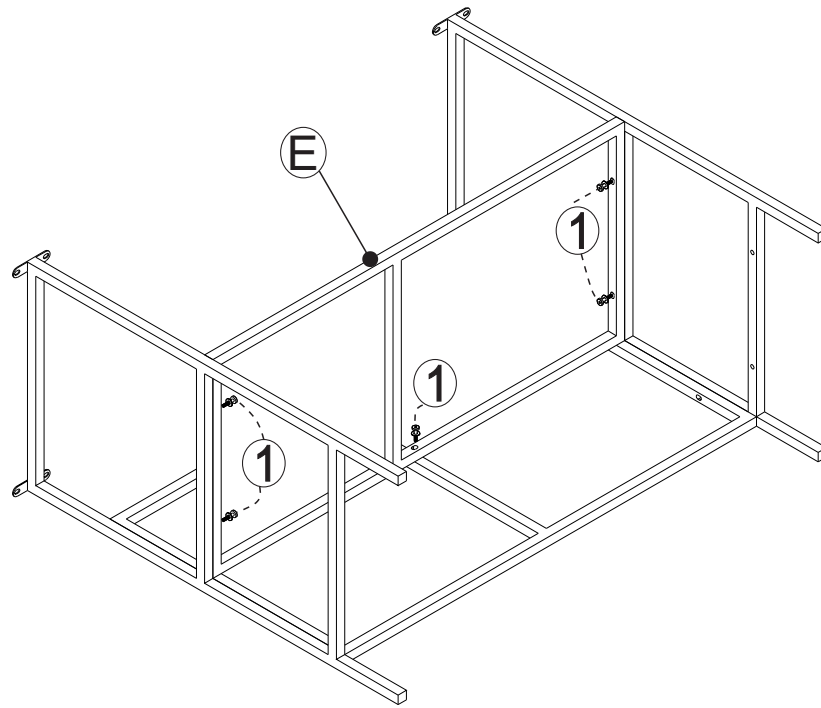
## Step 1



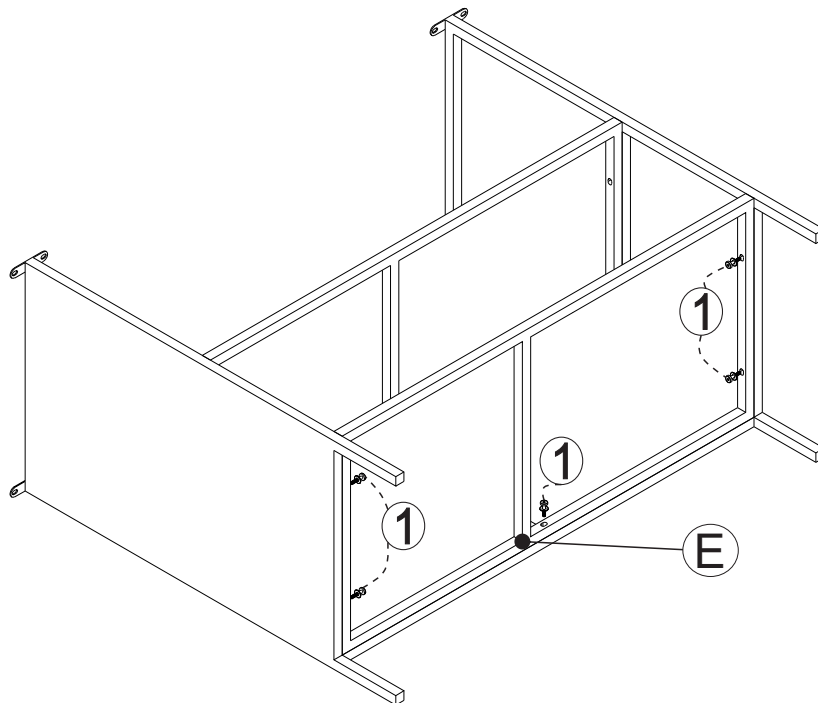
## Step 2



### Step 3



### Step 4



# Step 5

