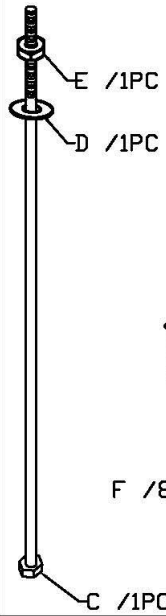
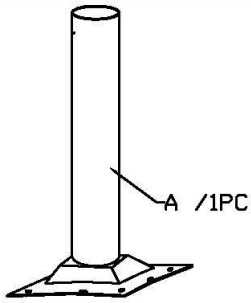
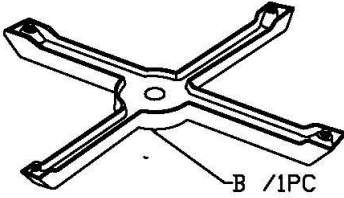
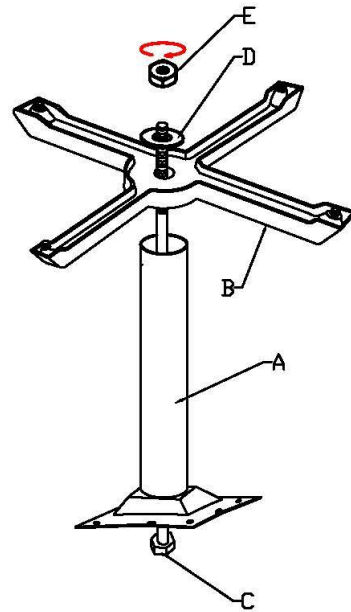


ASSEMBLY INSTRUCTION

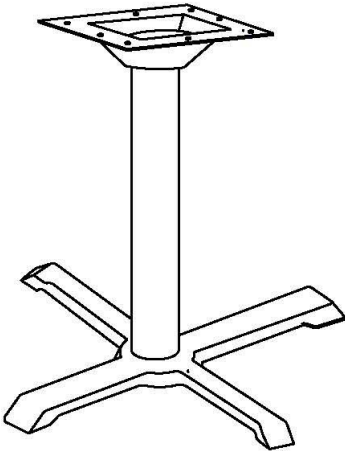
PARTS LIST



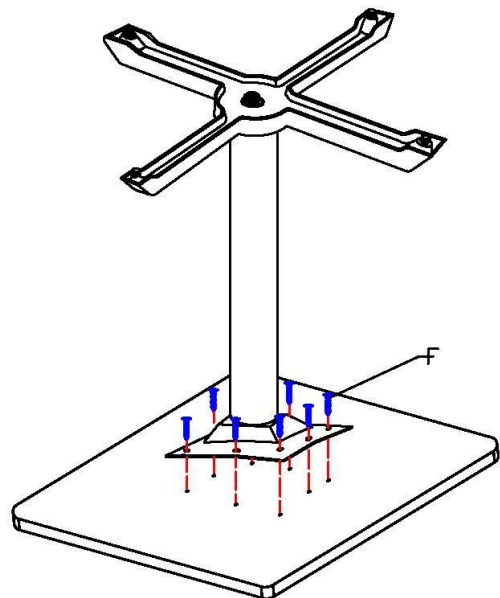
STEP 1.



STEP 2.

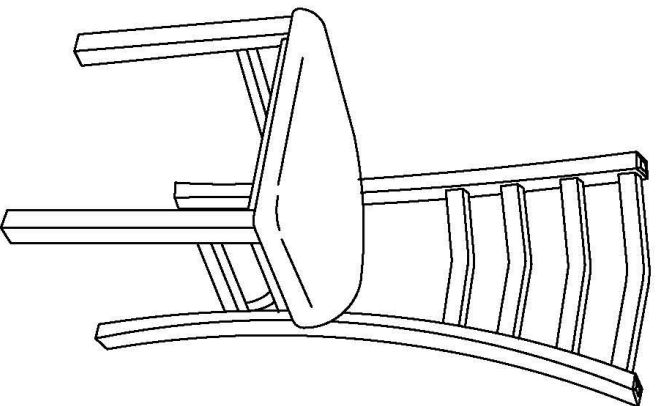
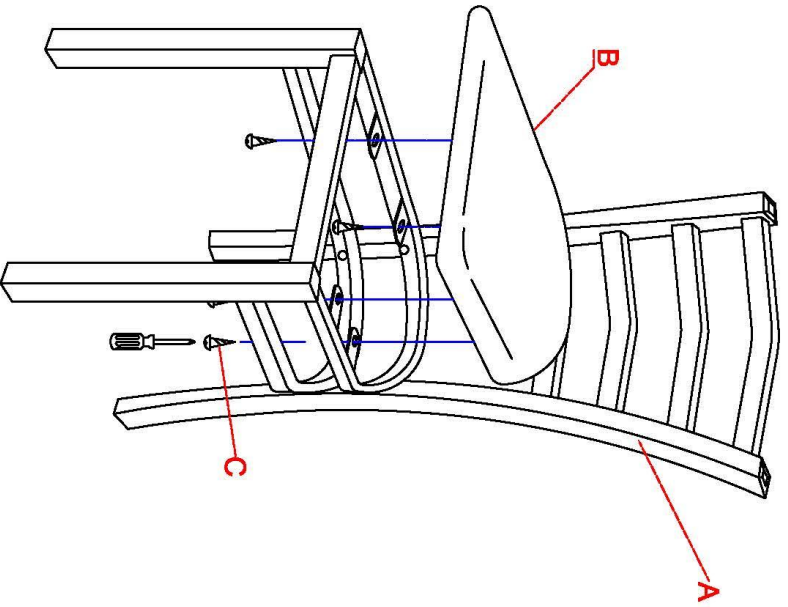


STEP 3.




Assembly Instruction

STEP 1.



FINISH

| PART LIST | QTY |
|---|------|
| A FRAME | 1pc |
| B SEAT | 1pc |
| C  SCREW M5*16mm | 4pcs |