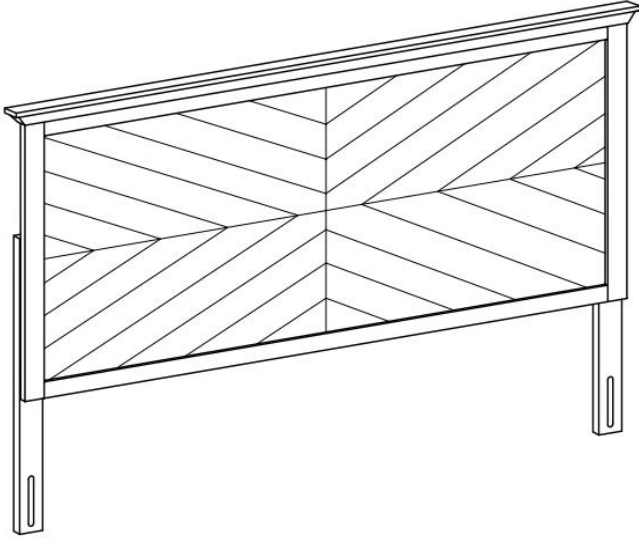


Thank you for your purchase!



Queen Headboard

ASSEMBLY INSTRUCTIONS

Before You Begin:

Please identify all component parts and hardware pieces required before you begin. Carefully remove all of the components from the packaging and set aside for assembly. Assemble on a soft surface to prevent scratching during assembly.

Caution:

Tighten all components securely before use. Failure to do so may result in personal injury. DO NOT use any sharp objects to open plastic wrapped components as damage to product or components may result.

Warning:

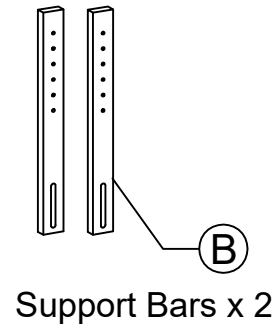
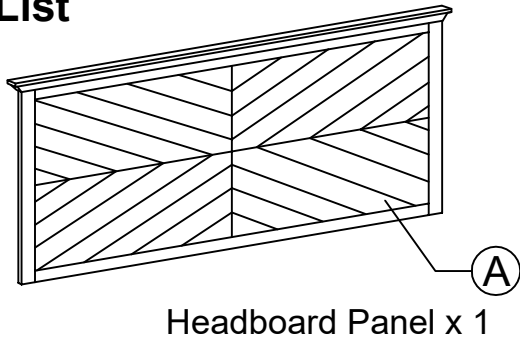
CHOKING HAZARD - Small Parts. Adult Assembly Required.

DO NOT ALLOW CHILDREN TO CLIMB ON FURNITURE

Serious or fatal injuries can occur from furniture tipping over. You must install Tipping Restraint Hardware (where included) to help prevent the unit from tipping and causing accidental injury, instability, death or damage. The tipping restraint is intended only as a safety measure, it is not a substitute for proper adult supervision.

To help prevent furniture from tipping over it must be permanently attached to the wall. Anti-Tip Safety Wall Straps suitable for the unit weight and wall materials (if not included) should be purchased and installed.

Part List



Hardware List



① M6 x 35mm JCBC
X 10



② Spring Washer
X 10



③ Flat Washer
X 10

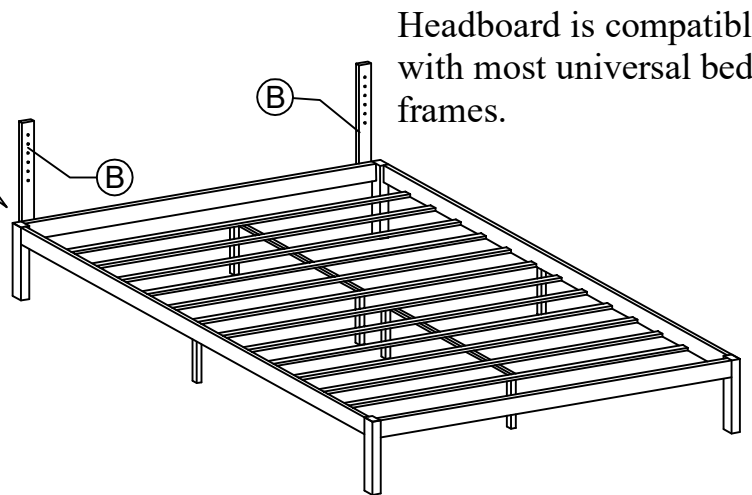
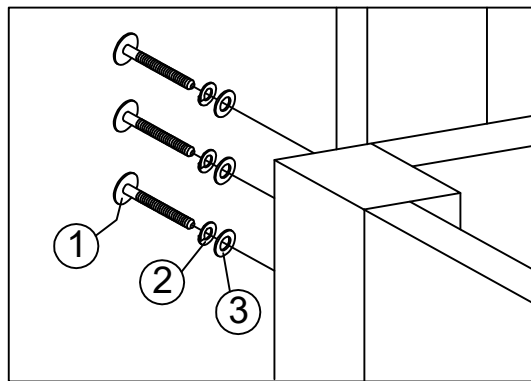


④ Allen Key
X 1



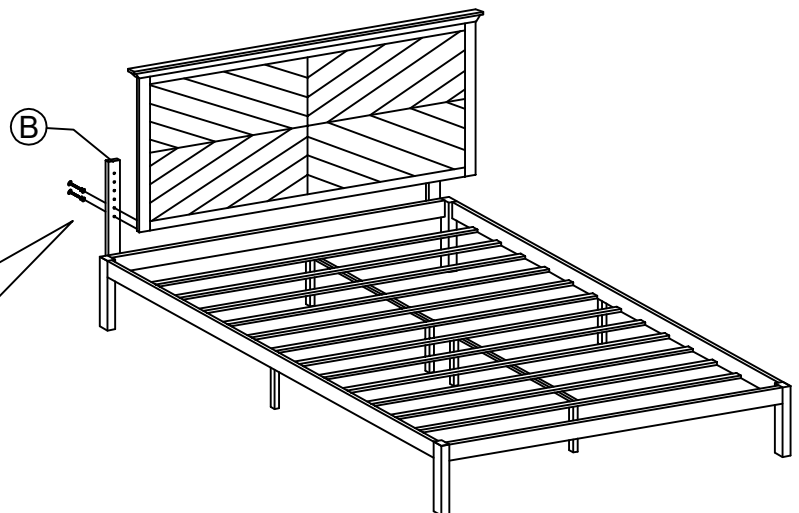
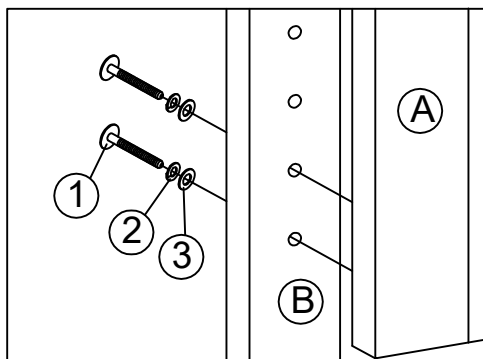
⑤ Anti Tip Kit
X 1 Set

Step 1: Note: Bed frame for illustration purposes only, not included.



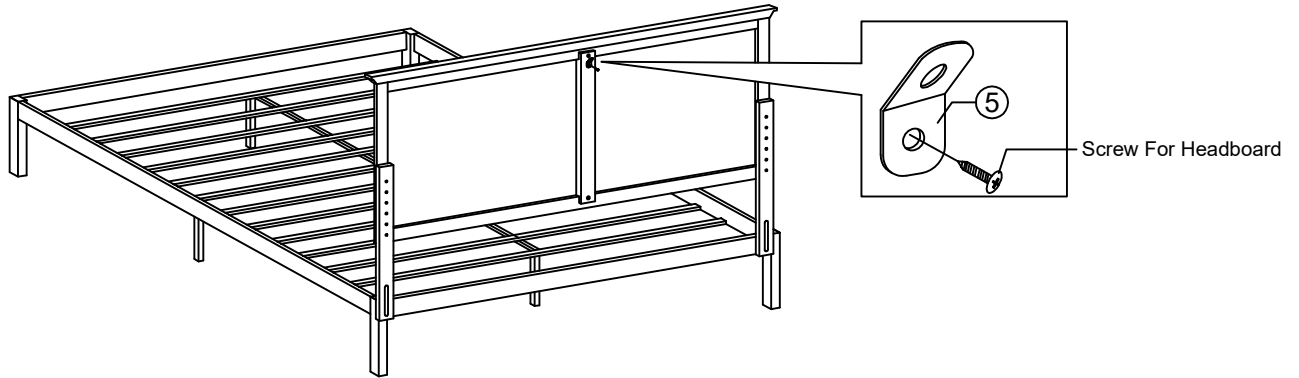
Headboard is compatible
with most universal bed
frames.

Step 2:

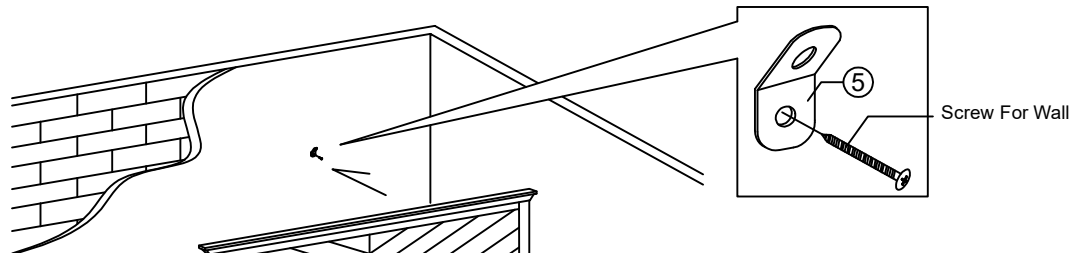


Headboard Restraint Installation

Step 1:



Step 2:



Step 3:

