

*Thank you for your purchase!*

MK-STRG007-GG

Wooden 2 Section School Classroom Storage Cabinet  
for Commercial or Home Use - Safe, Kid Friendly  
Design - 30"H x 48"L (Natural)

## ASSEMBLY INSTRUCTIONS

### **Before You Begin:**

Please identify all component parts and hardware pieces required before you begin. Carefully remove all of the components from the packaging and set aside for assembly. Assemble on a soft surface to prevent scratching during assembly.

### **Caution:**

Tighten all components securely before use. Failure to do so may result in personal injury. DO NOT use any sharp objects to open plastic wrapped components as damage to product or components may result.

### **⚠ Warning:**

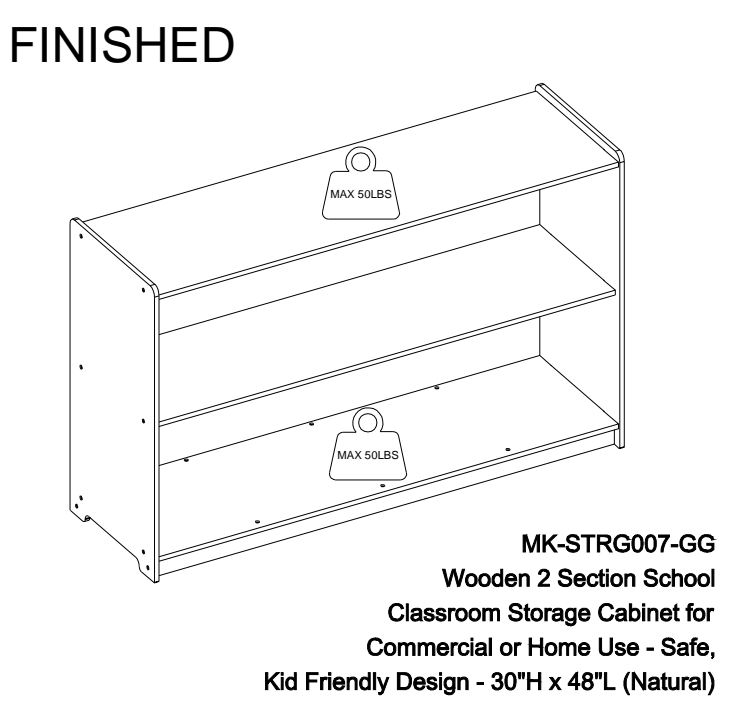
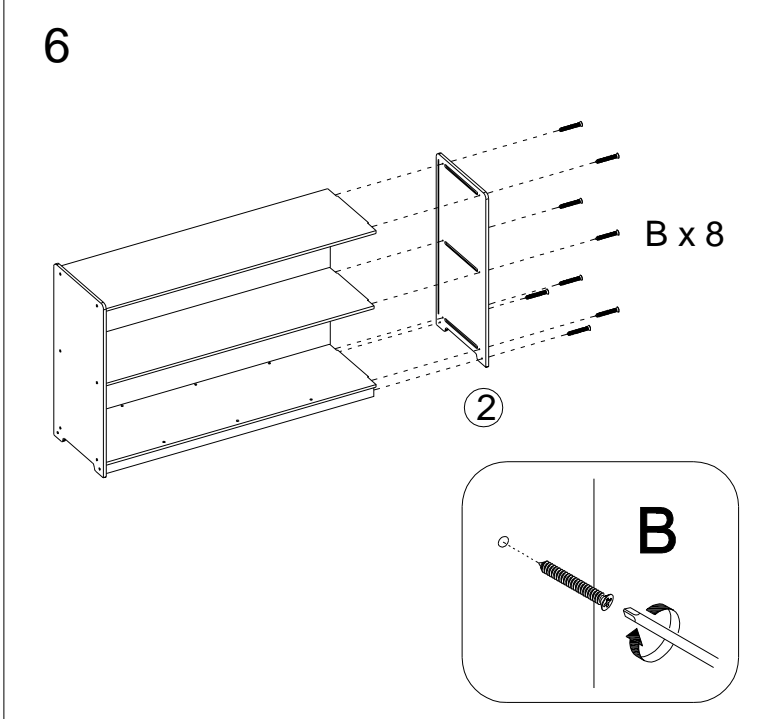
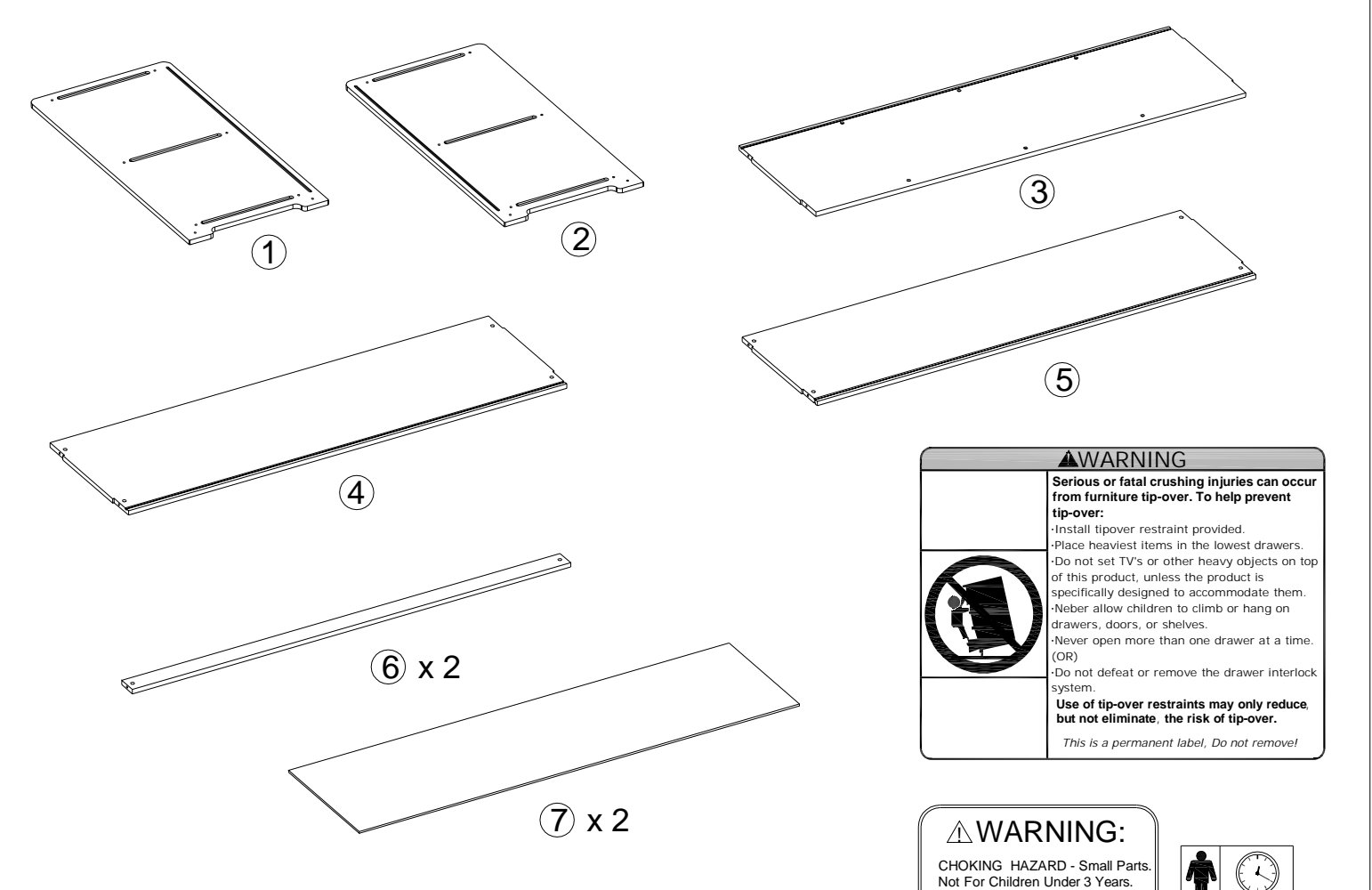
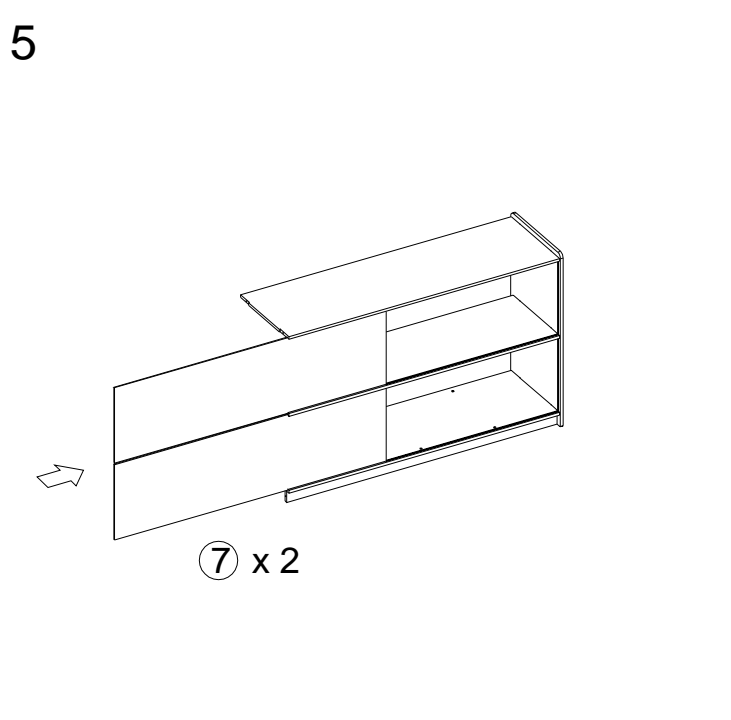
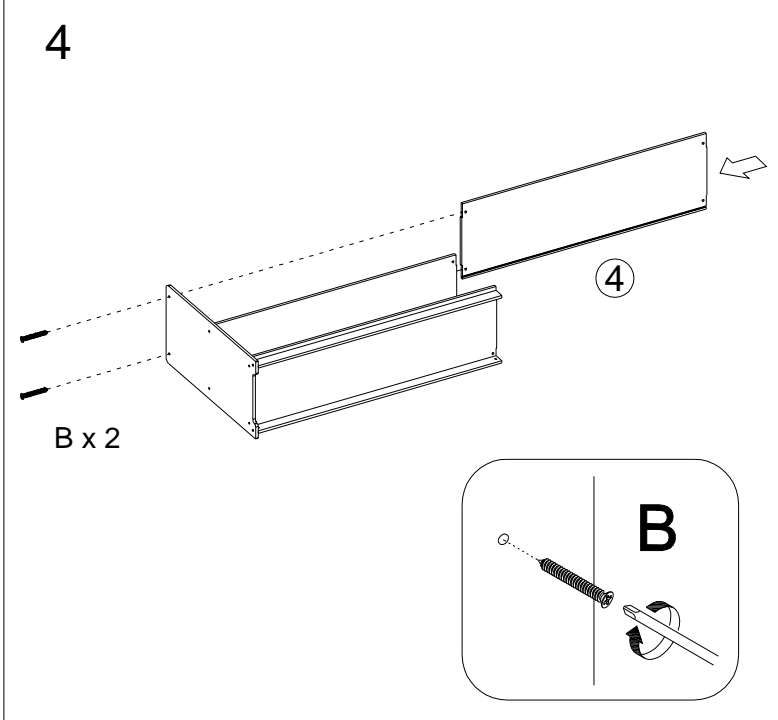
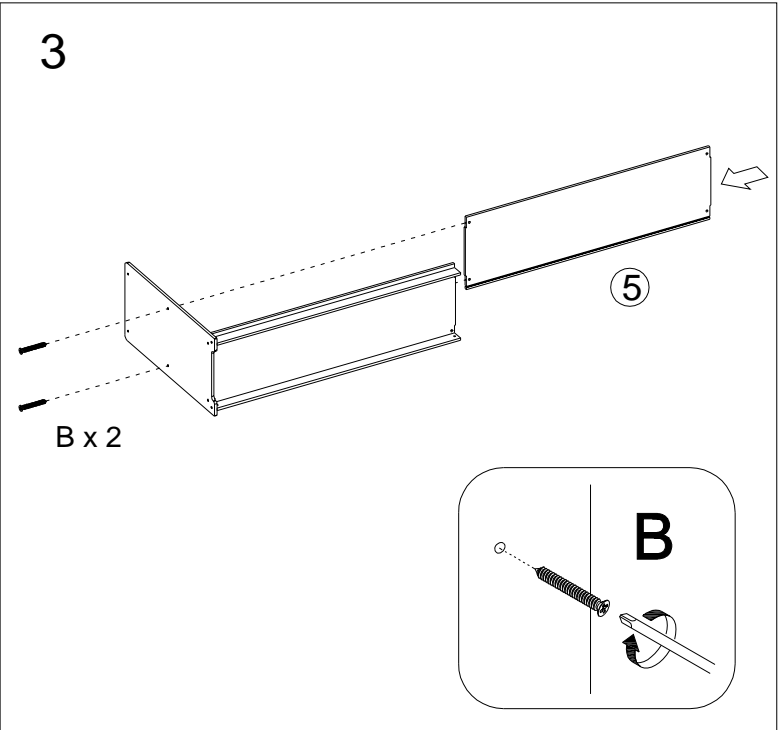
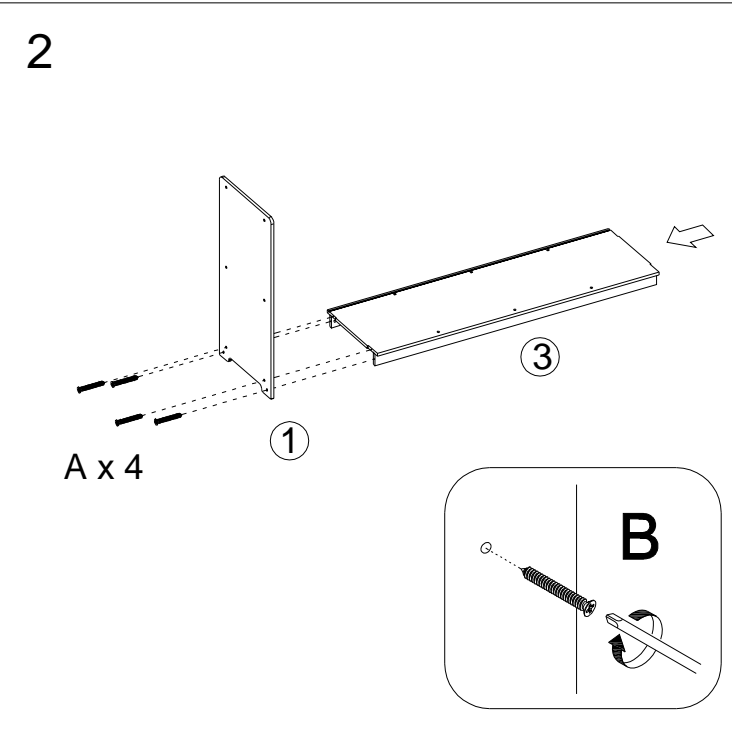
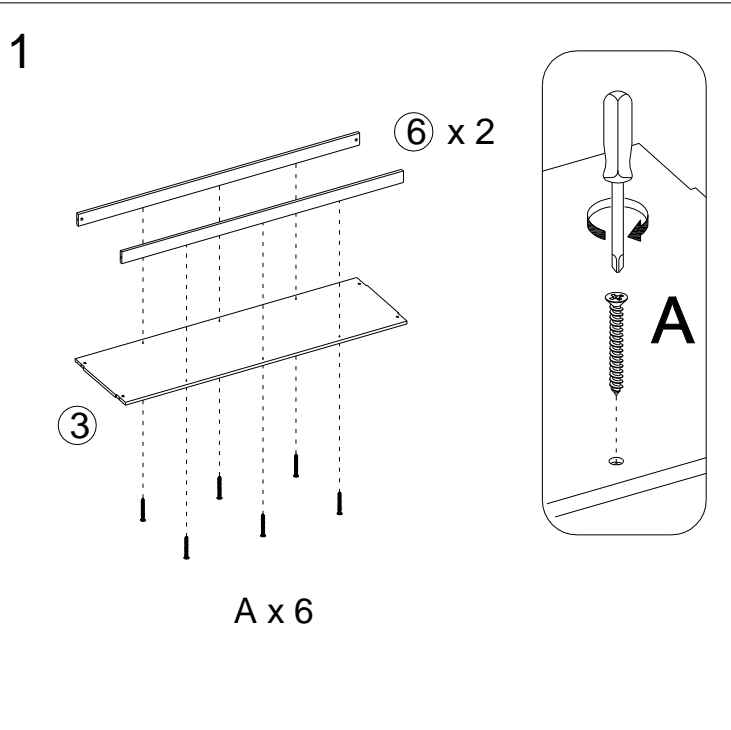
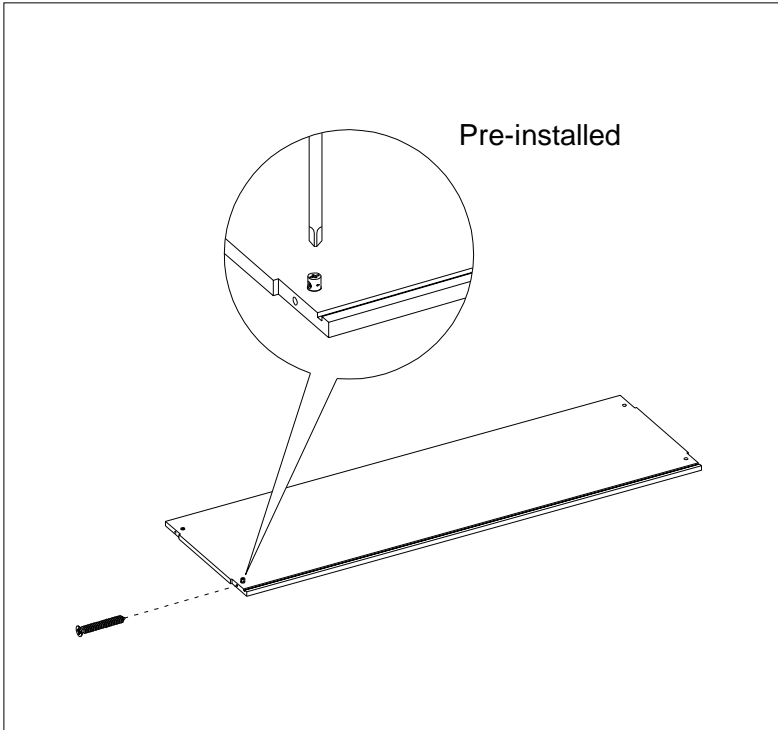
CHOKING HAZARD - Small Parts. Adult Assembly Required.

Injury may result from tipping furniture. You must install the Tipping Restraint Hardware with the unit to prevent the unit from tipping and causing any accidental injury, instability, death or damage. The tipping restraint is intended only as a safety measure, it is not a substitute for proper adult supervision.

This tipping restraint is not an earthquake restraint. If you wish to add the extra security of earthquake restraints, they must be purchased and installed separately.

Serious or fatal crushing injuries can occur from furniture tipping over. To prevent furniture from tipping over it must be permanently fixed to the wall. Fixing devices for the wall are not included since different wall materials require different types of fixing devices. Use fixing devices suitable for the walls in your home.

Failure to detach this restraint before moving furniture may result in injury or damage. DO NOT ALLOW CHILDREN TO CLIMB ON FURNITURE



**WARNING**  
 Serious or fatal crushing injuries can occur from furniture tip-over. To help prevent tip-over:  
 -Install tipover restraint provided.  
 -Place heaviest items in the lowest drawers.  
 -Do not set TV's or other heavy objects on top of this product, unless the product is specifically designed to accommodate them.  
 -Never allow children to climb or hang on drawers, doors, or shelves.  
 -Never open more than one drawer at a time.  
 (OR)  
 -Do not defeat or remove the drawer interlock system.  
**Use of tip-over restraints may only reduce, but not eliminate, the risk of tip-over.**  
*This is a permanent label. Do not remove!*

**WARNING:**  
 CHOKING HAZARD - Small Parts.  
 Not For Children Under 3 Years.

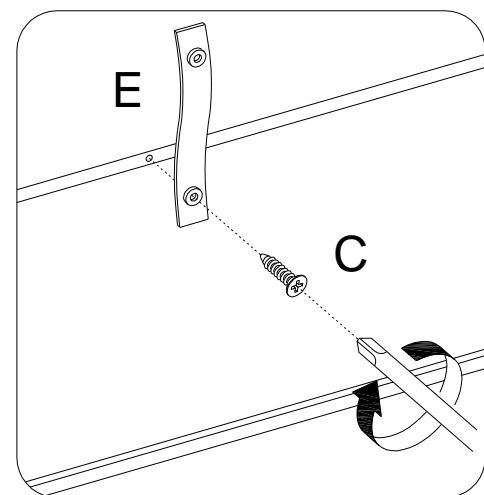
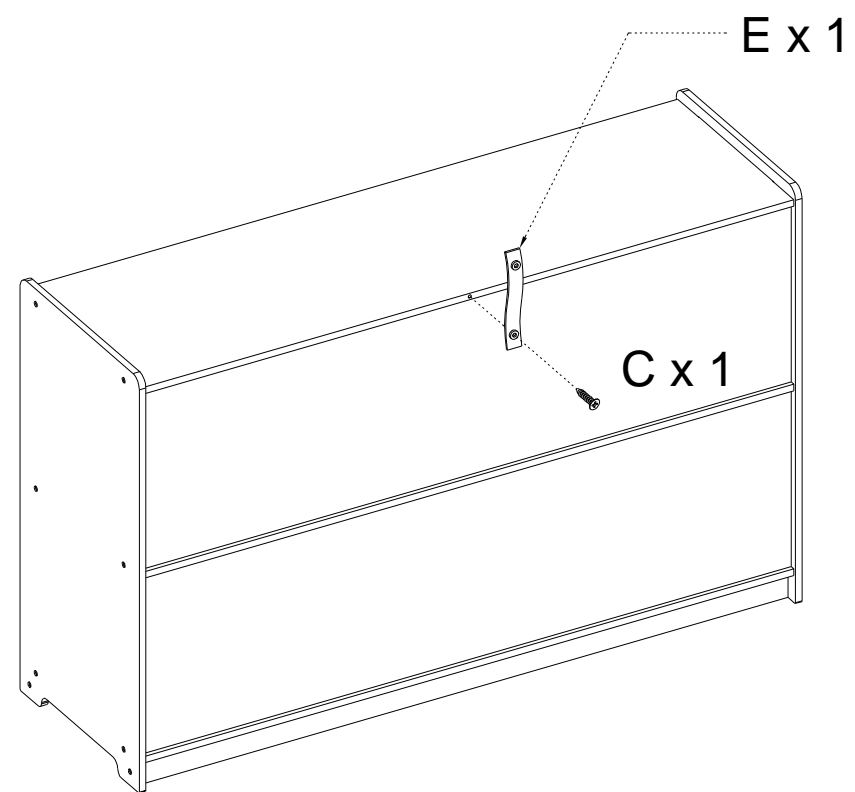
2020-08-29

**Accessories Included:**

A x 6	B x 16	C x 1	D x 1
E x 1	Tool Required		

**WARNING:**  
 Adult assembly required. This item contains small parts that have sharp points and edges in the unassembled state. Adults must be extra careful to securely tighten all screws, make sure the toy is properly assembled, and ensure there are no left-over metal parts (eg. Allen key) within reach of children.

Step1:  
ATTACHING STABILIZING  
STRAP(against wall)



Step2:

