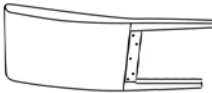




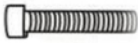




ASSEMBLY INSTRUCTION





Hardware List

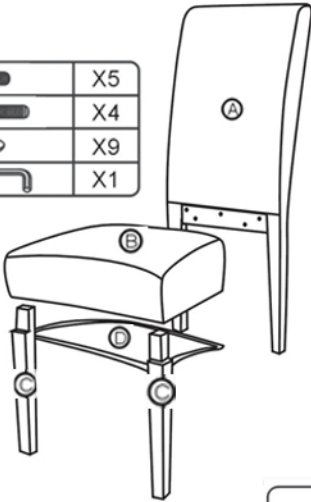
A		Chair	1PC
B		Seat	1PC
C		Front legs	2PCS
D		non-woven	1PC
E		Bolts	5PCS
F		Bolts	4PCS
G		Washer	9PCS
H		Allen Key	1PC

PRE-ASSEMBLY PREPARATION:



1. Please put on clean space to assemble to avoid damages on chairs.
2. About hardwares: tighten all screws firstly 90%; adjust the legs to level; tighten the screws the remaining 10%.
3. weight capacity: 300 pounds.

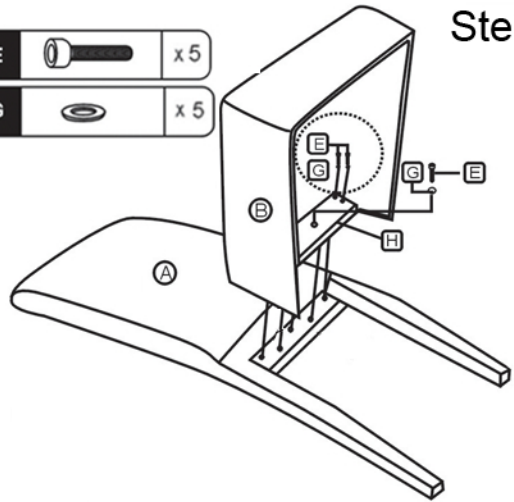
Step1

E		X5
F		X4
G		X9
H		X1


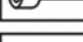


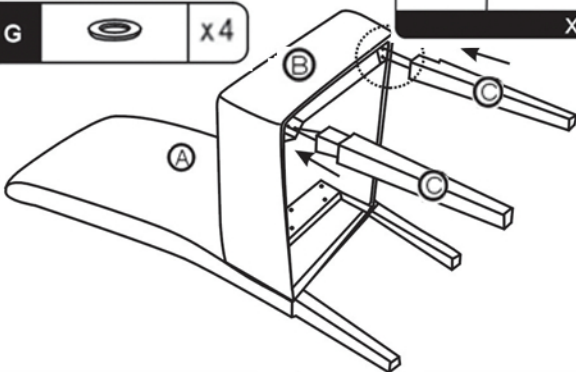
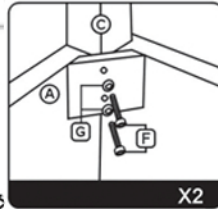
Step2

E		x5
G		x5



Step3

F		x4
G		x4



Step4

