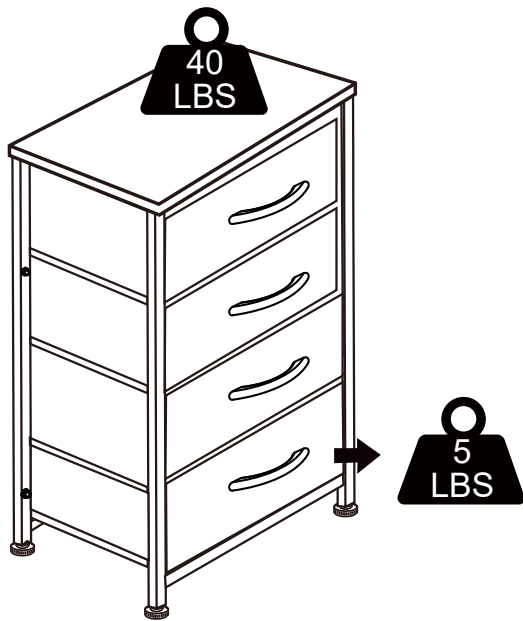


Thank you for your purchase!



4 Drawer Storage Chest

ASSEMBLY INSTRUCTIONS

Before You Begin:

Please identify all component parts and hardware pieces required before you begin. Carefully remove all of the components from the packaging and set aside for assembly. Assemble on a soft surface to prevent scratching during assembly.

Caution:

Tighten all components securely before use. Failure to do so may result in personal injury. DO NOT use any sharp objects to open plastic wrapped components as damage to product or components may result.

Warning:







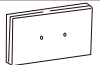
CHOKING HAZARD - Small Parts. Adult Assembly Required.

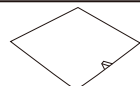






DO NOT ALLOW CHILDREN TO CLIMB ON FURNITURE

Serious or fatal injuries can occur from furniture tipping over. You must install Tipping Restraint Hardware (where included) to help prevent the unit from tipping and causing accidental injury, instability, death or damage. The tipping restraint is intended only as a safety measure, it is not a substitute for proper adult supervision.

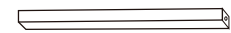
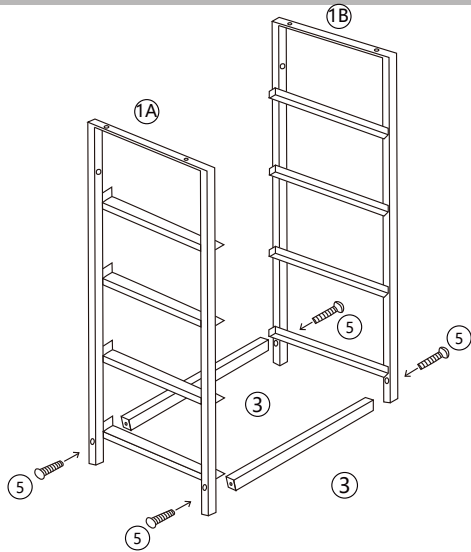
To help prevent furniture from tipping over it must be permanently attached to the wall. Anti-Tip Safety Wall Straps suitable for the unit weight and wall materials (if not included) should be purchased and installed.

PARTS

① Side Frames		2
② Wooden Top		1
③ Lower Braces		2
④ Floor Glides		4
⑤ Screw	 M6X25mm	4
⑥ Screw	 M6X10mm	4
⑦ Drawer		4

⑧ Drawer Flooring		4
⑨ Wall Mount Screw		2
⑩ Wall Anchor		2
⑪ Hex Wrench		1
⑫ Hex Screw	 M5X10mm	4
⑬ Wooden Handle		4
⑭ Rear Bars		1

STEP 1



③ 2pcs

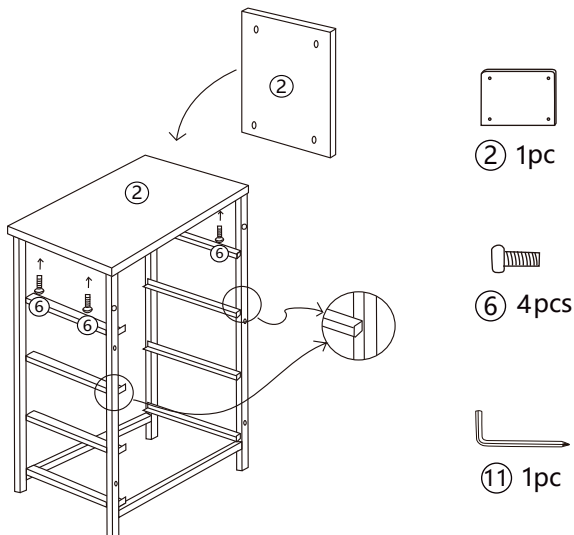


⑤ 4pcs



⑪ 1pcs

STEP 2



② 1pc

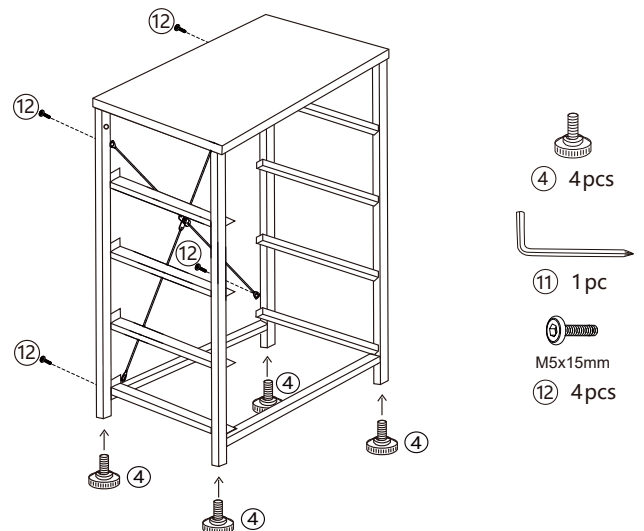


⑥ 4pcs



⑪ 1pc

STEP 3



④ 4pcs



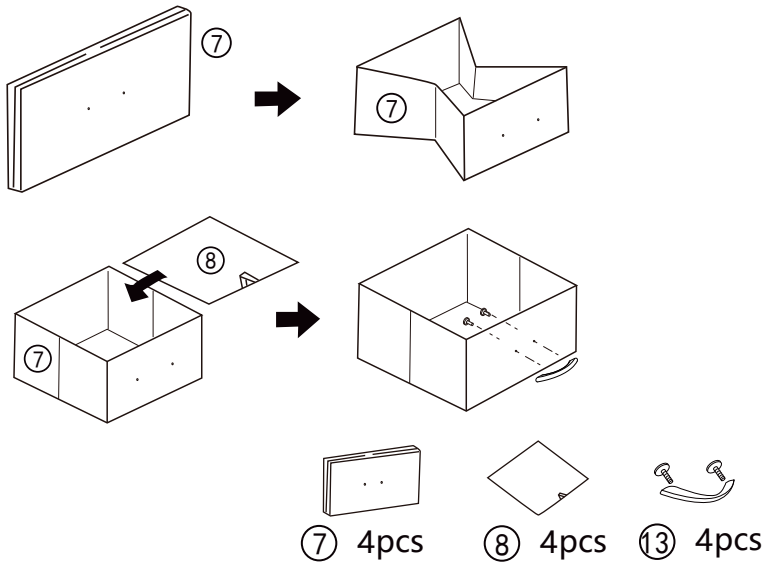
⑪ 1pc



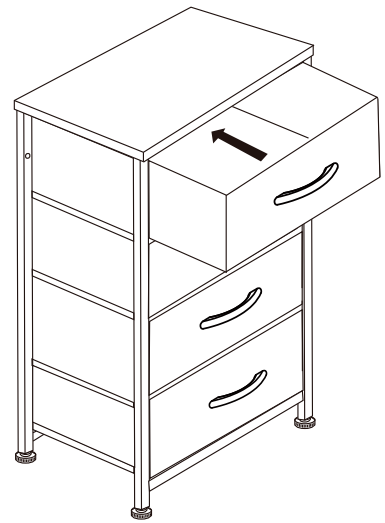
M5X15mm

⑫ 4pcs

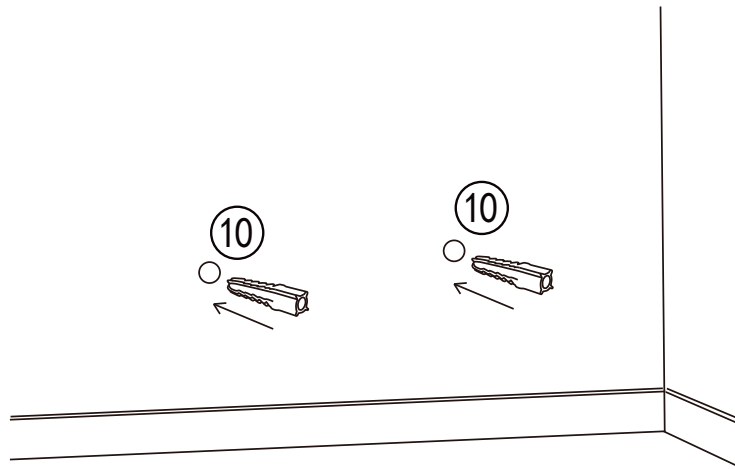
STEP 4



STEP 5



STEP 6



STEP 7

Top max loading 40 lbs
Drawer max loading 5 lbs

