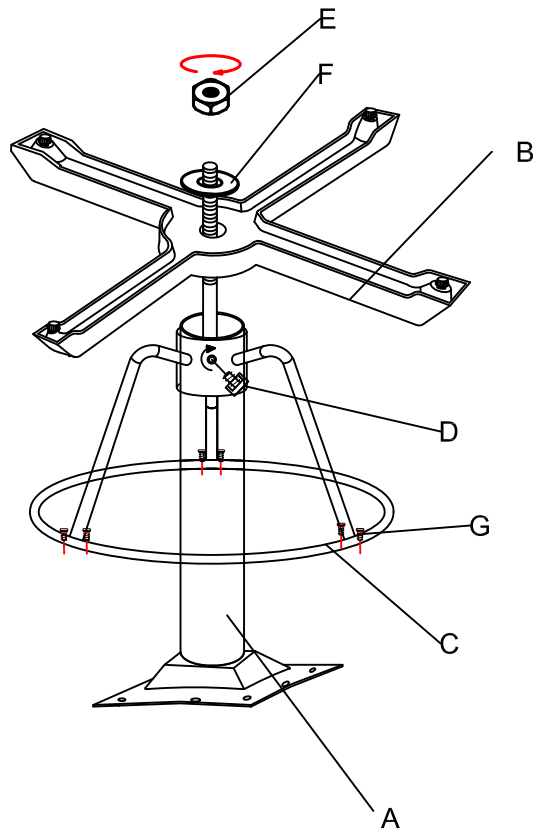
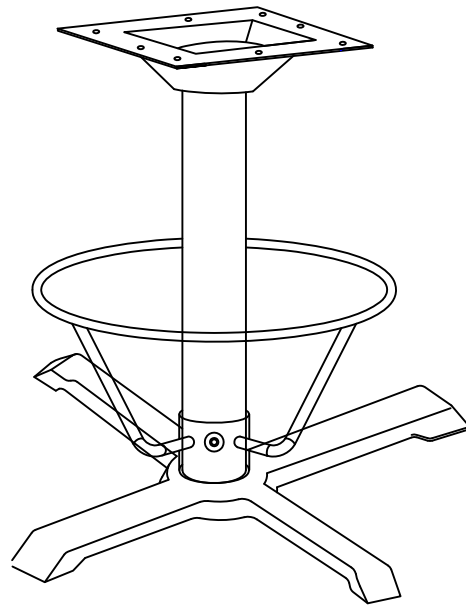


Assembly | nstruction

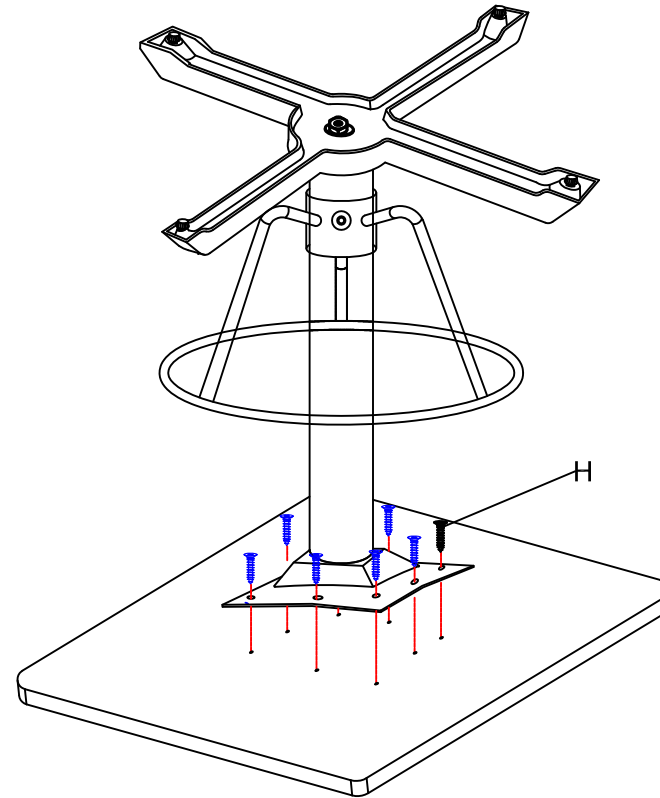
STEP 1.









STEP 2.



STEP 3.



| PART LIST | | QTY |
|-----------|------------------------------------------------------------------------------------------------------|------|
| A | TUBE | 1pc |
| B | BASE | 1pc |
| C | PEDAL RING | 1pc |
| D |  BOLT M8*18.5 | 1pcs |
| E |  NUT | 1pcs |
| F |  WASHER $\phi 14$ | 1pcs |
| G |  BOLT 1/4" *15 | 6pcs |
| H |  SCREW M5*25 | 8pcs |
| I |  ALLEN KEY 4MM | 1pc |

Tools required:

