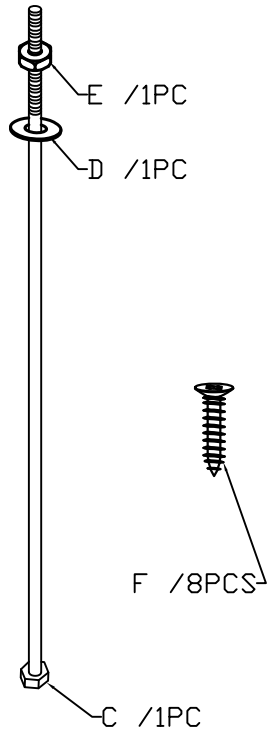
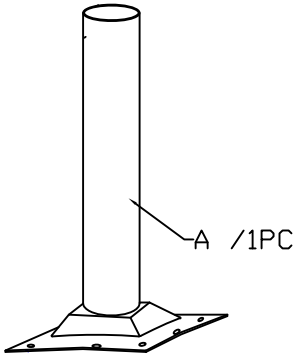
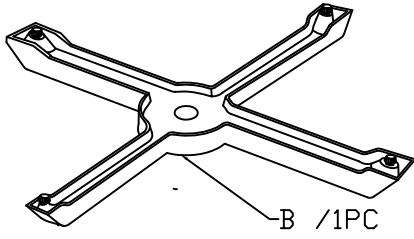
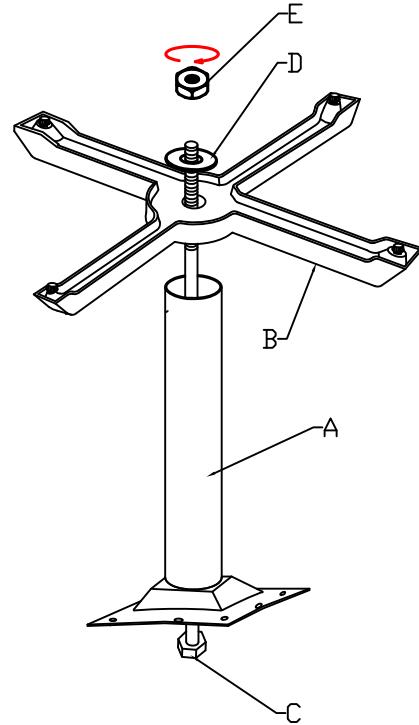


ASSEMBLY INSTRUCTION

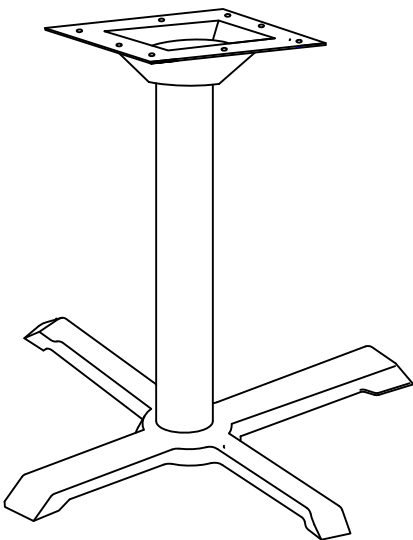
PARTS LIST



STEP 1.



STEP 2.



STEP 3.

